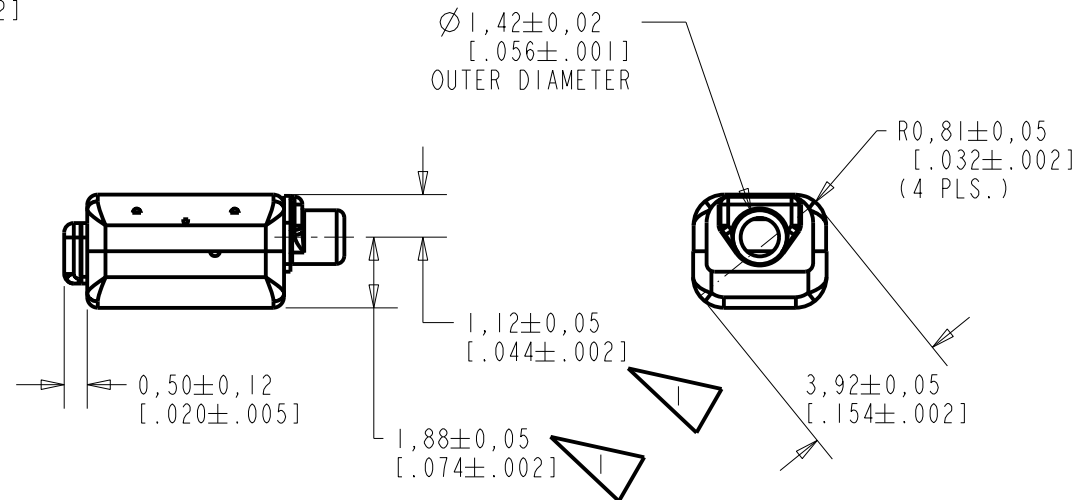
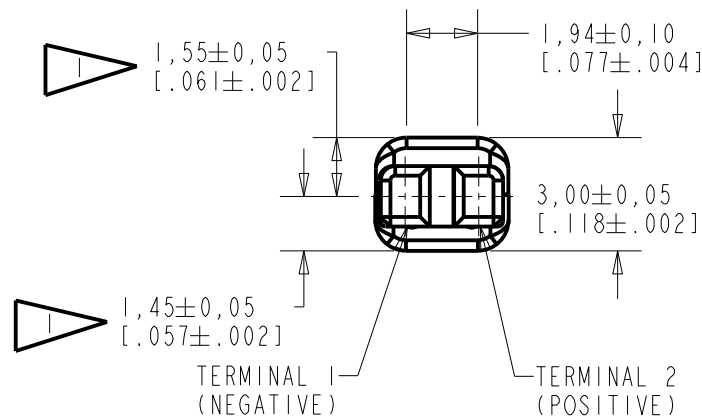
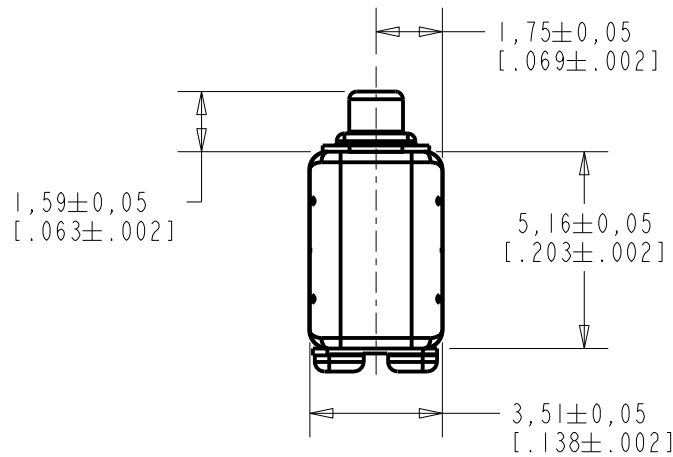


HC-23724-000

SHT 1.1

NOTE:

LOCATED FROM TWO SURFACES FOR CUSTOMER CONVENIENCE. ONLY APPLICABLE FROM ONE SURFACE, NOT TO BE USED TOGETHER. HORIZONTAL LOCATION FOR TERMINAL CENTERED TO ±0,17 [.007]



SCALE 2:1

NOMINAL WEIGHT
.23 GRAMS

DIMENSIONS IN MILLIMETERS [INCHES]

KNOWLES ELECTRONICS
ITASCA, ILLINOIS U.S.A.

| Revision | C.O. # | Implementation Date | RELEASE LEVEL | REVISION |
|----------|------------|---------------------|---------------|----------|
| D | CI0115023P | 10-14-13 | Active | D |

| | | | |
|----------------------|--------------|--------------|----------------|
| SCALE: 5:1 | | DR. BY: AB | DATE: 11-29-05 |
| DO NOT SCALE DRAWING | | CK. BY: GJP | DATE: 12-5-05 |
| TITLE: RECEIVER | HC-23724-000 | APP. BY: GJP | DATE: 12-5-05 |
| OUTLINE DRAWING | SHT 1.1 | | |

DESCRIPTION

NO DAMPING

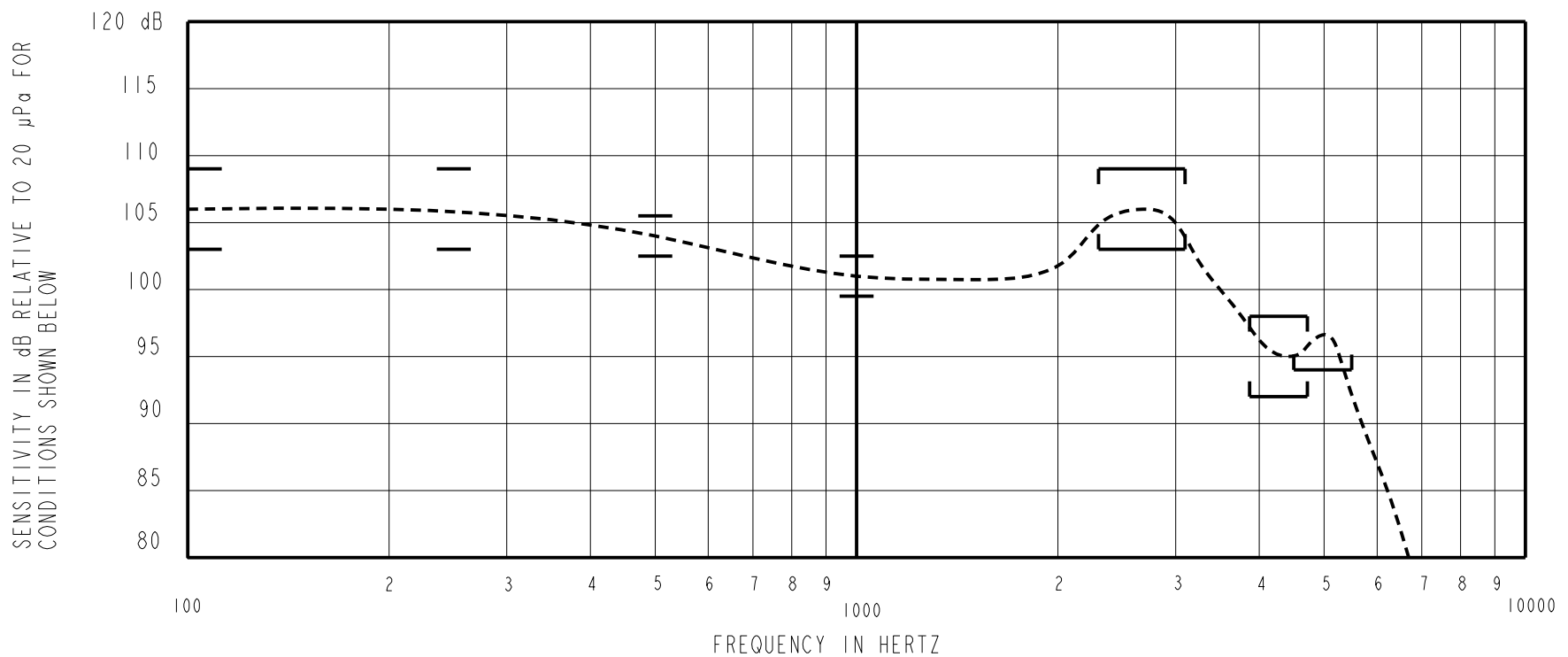
HC-23724-000

SHEET 2.1

THE HC-23724-000 IS A MAGNETIC BALANCED ARMATURE RECEIVER INTENDED FOR USE IN ITC AND CIC HEARING INSTRUMENTS. THE HC FAMILY OFFERS 6 dB HIGHER OUTPUT LEVELS IN THE SAME SIZE PACKAGE AS THE FC FAMILY. ALL HC UNITS HAVE SHOCK PROTECTION. THIS MODEL HAS MEDIUM-LOW IMPEDANCE AND IS UNDAMPED.

NOTE: SPECIFICATIONS FOLLOWED BY AN ASTERISK (*) ARE 100% TESTED.

CONSTANT VOLTAGE DRIVE RESPONSE



ACOUSTICAL

SENSITIVITY*

DEVICE WILL PRODUCE THE SPL LISTED BELOW WITH THE TEST CONDITIONS DESCRIBED IN TABLE 3. NOMINAL SENSITIVITY AT 1 kHz IS dB RELATIVE TO 20µPa. ALL OTHER VALUES IN dB RELATIVE TO THE SENSITIVITY AT 1 kHz.

| FREQUENCY (Hz) | MINIMUM | NOMINAL | MAXIMUM |
|------------------|---------|---------|---------|
| 100 | +2.0 | +5.0 | +8.0 |
| 250 | +2.0 | +5.0 | +8.0 |
| 500 | +1.5 | +3.0 | +4.5 |
| 1000 | -1.5 | 101.0 | +1.5 |
| 2300-3100 PEAK | +2.0 | +5.0 | +8.0 |
| 3680-4720 VALLEY | -9.0 | -6.0 | -3.0 |
| 4500-5500 PEAK | -7.0 | --- | --- |

TABLE 1.

TOTAL HARMONIC DISTORTION*

DEVICE WILL NOT EXCEED TOTAL HARMONIC DISTORTION LEVELS LISTED BELOW.

| FREQUENCY (Hz) | DRIVE (Vrms) | DC BIAS (mA) | LIMIT (%) |
|----------------|--------------|--------------|-----------|
| 900 | .200 V | 0 | 5 |
| 1350 | .200 V | 0 | 5 |
| 500 | .564 V | 0 | 10 |

TABLE 2.

TEST CONDITIONS

| | |
|------------------------|---|
| NOMINAL SOURCE VOLTAGE | .200 Vrms, 0 mA DC BIAS |
| SOURCE IMPEDANCE | < 1 Ω |
| TUBING | 10 mm (.394) LONG, 1 mm (.039) ID. |
| COUPLER CAVITY | 2 CC SIMULATED ANSI S3.7 TYPE HA-3, (IEC 60318-5) |

TABLE 3.

POLARITY *

POSITIVE SIGNAL APPLIED TO TERMINAL 2 WILL PRODUCE A DECREASE IN SOUND PRESSURE AT THE SOUND OUTLET.

ELECTRICAL

| | | |
|----------------------|------------|---|
| DC RESISTANCE | 63 Ω ±10% | * |
| IMPEDANCE @ 500 Hz | 89 Ω ±15% | * |
| IMPEDANCE @ 1 kHz | 141 Ω ±20% | * |
| INDUCTANCE @ 500Hz | 20 mH ±15% | |
| CAPACITANCE @ 10 MHz | 6 pF ±20% | |

TABLE 4.

ISOLATION: THE CASE WILL BE ELECTRICALLY ISOLATED FROM THE COIL CIRCUIT*

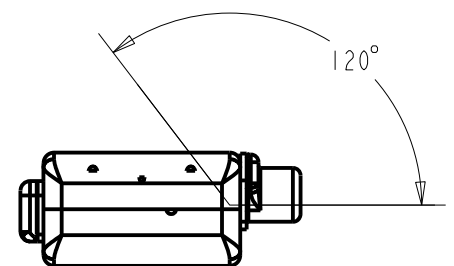
MAGNETIC RADIATION

WORST CASE: FIELD WILL BE LESS THAN LEVEL STATED BELOW AT AMPLIFIER CLIPPING (.920 V).

134 dB re 1µA/m

DISTANCE OF 6.3 mm FROM CENTER OF RECEIVER

ANGLE OF 120 DEGREES FROM TUBE



MECHANICAL

PORT LOCATION: 12C

SOLDER TYPE: SAC305

TEMPERATURE

OPERATING: SENSITIVITY WILL NOT VARY MORE THAN +1/-3 dB FROM -17°C TO 63°C

STORAGE: -40°C TO 63°C

RELIABILITY

UNITS WILL SURVIVE ANY OF THE FOLLOWING ACCELERATED LIFE TESTS, REPORT AVAILABLE FROM QA DEPARTMENT

HALT TEST (8 WEEKS, 63°C, 95% RH, 0.83V, 500 Hz SIGNAL)

HIGH TEMPERATURE STORAGE (63°C, 72 HOURS)

LOW TEMPERATURE STORAGE (-40°C, 72 HOURS)

DAMP HEAT CYCLING (ALTERNATE 25°C TO 63°C, 93% RH, 20 CYCLES)

THERMAL SHOCK (-40°C TO 63°C, 5 CYCLES)

SOLDER/DESOLDER CYCLING (5 CYCLES)

SOLDER PAD STRENGTH (STRENGTH > 1.8 LBS.)

STRESS TEST (3.72 Vrms AT 2700 Hz SIGNAL, 1 HOUR)

MECHANICAL SHOCK

LEAK TEST AFTER AGING (NO LEAK AFTER ANY OF THE ABOVE TESTS)

| Revision | C.O. # | Implementation Date | RELEASE LEVEL | REVISION |
|--|------------|---------------------|---------------|----------|
| | | | Active | D |
| D | C10115023P | 10-14-13 | | |
| WHEN TEST LIMITS ARE USED TO ESTABLISH INCOMING INSPECTION ACCEPTANCE/REJECTION CRITERIA, CORRELATION OF TEST EQUIPMENT WITH KNOWLES IS ALSO REQUIRED FOR ELIMINATION OF EQUIPMENT AND TEST METHOD VARIATION | | | DR. BY | DATE |
| TITLE: RECEIVER PERFORMANCE SPECIFICATION | | | AB | 11-29-05 |
| | | | HC-23724-000 | |
| | | | GJP | 12-5-05 |
| | | | APP. BY | DATE |
| | | | GJP | 12-5-05 |

KNOWLES ELECTRONICS
ITASCA, ILLINOIS U.S.A.