

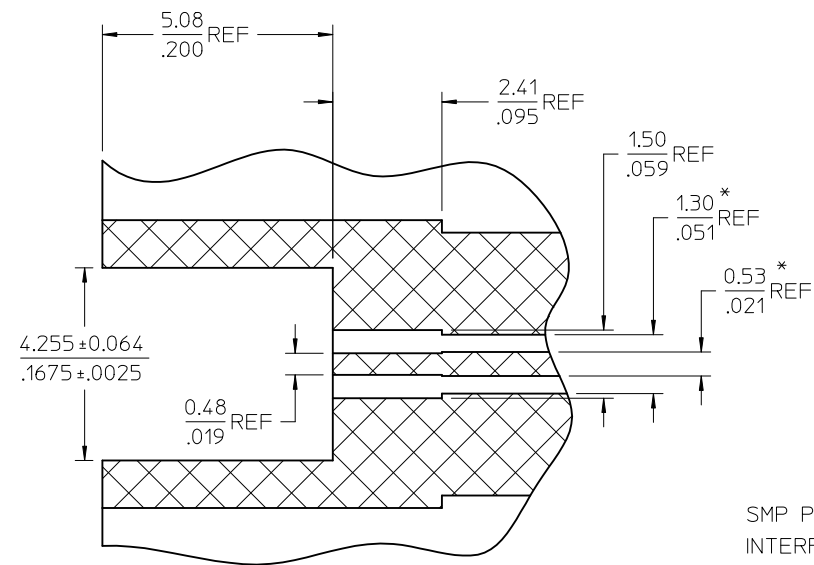
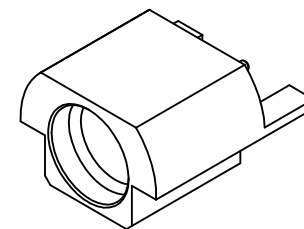
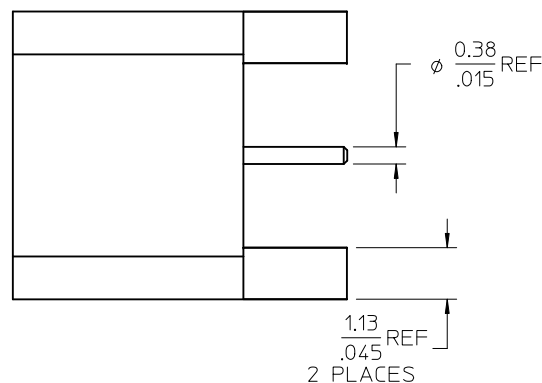
MATERIALS AND FINISHES

BODY BRASS
PLATED GOLD

CENTER CONTACT BRASS
PLATED GOLD

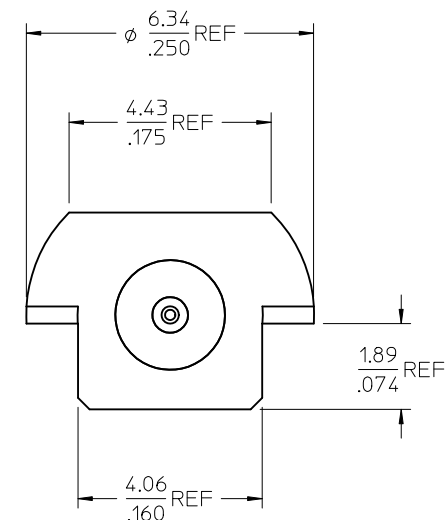
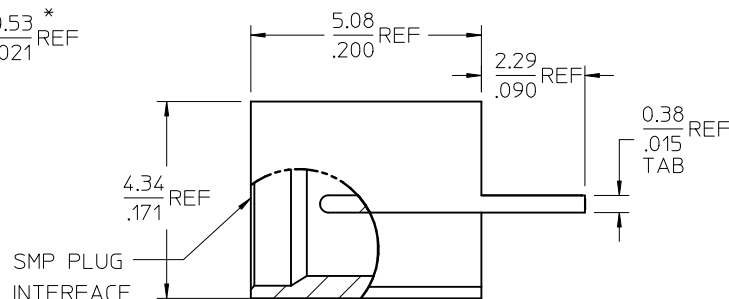
INSULATOR TEFLON

QUANTITY IN TAPE: 1250 COMPONENTS



RECOMMENDED PCB LAYOUT

* DIMENSIONS APPLICABLE FOR ROGERS 4350
PCB MATERIAL ONLY



| | |
|---------------|-----------------------|
| PS-89675-3320 | PRODUCT SPECIFICATION |
| SPECIFICATION | DESCRIPTION |

| | |
|------------|-------------|
| 73415-5741 | ONE PER BAG |
| 73415-5740 | TAPE & REEL |
| PART NO. | PACKAGING |

CHG: ADD -5741
EC NO: URF2012-0435
DRWN:JWIENER 2012/01/30
CHKD:SSS 2012/01/30
APPR:JWIENER 2012/01/31

QUALITY SYMBOLS
▽=0
▽=0

GENERAL TOLERANCES (UNLESS SPECIFIED)

| | mm | INCH |
|------------|------|-------|
| 4 PLACES ± | ---- | ±---- |
| 3 PLACES ± | ---- | ±---- |
| 2 PLACES ± | ---- | ±---- |
| 1 PLACE ± | ---- | ±---- |

ANGULAR ± 2 °

DRAFT WHERE APPLICABLE
MUST REMAIN
WITHIN DIMENSIONS

DIMENSION STYLE
MM/IN

| | |
|-------------|------------|
| DRAWN BY | DATE |
| TEF | 2005/12/16 |
| CHECKED BY | DATE |
| SSS | 2005/12/16 |
| APPROVED BY | DATE |
| JDW | 2005/12/16 |

MATERIAL NO.
SEE TABLE

SCALE
DESIGN UNITS
METRIC

THIRD ANGLE PROJECTION

TITLE
SMP PLUG, EDMOUNT
SMOOTH BORE, 50 OHMS
EWR-2977 SMP-BP/PCB

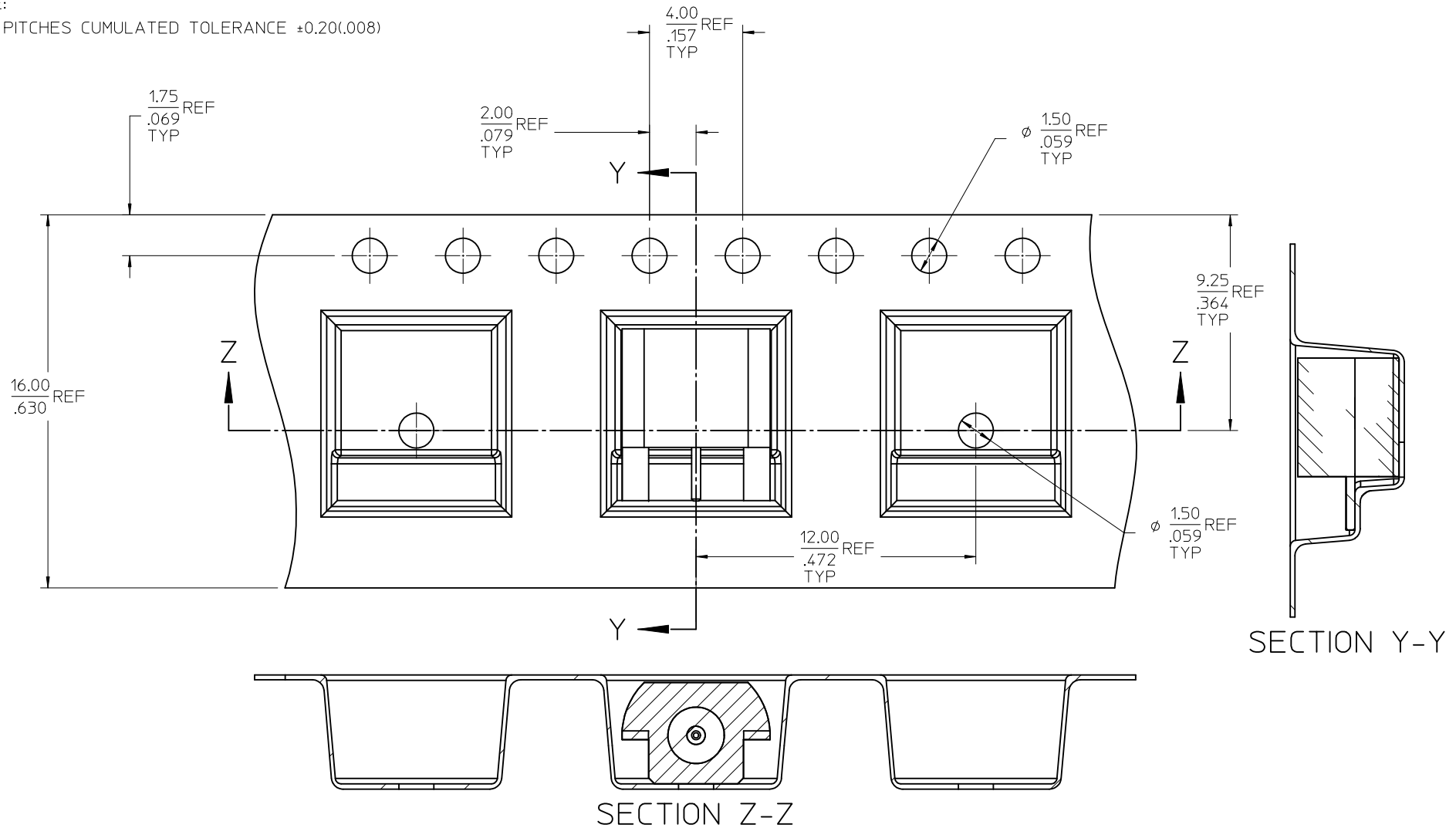
MOLEX MOLEX INCORPORATED

DOCUMENT NO.
SD-73415-574

SHEET NO.
1 OF 2

THIS DRAWING CONTAINS INFORMATION THAT IS PROPRIETARY TO MOLEX INCORPORATED AND SHOULD NOT BE USED WITHOUT WRITTEN PERMISSION

NOTE:
1. 10 PITCHES CUMULATED TOLERANCE $\pm 0.20(.008)$



| | | | | | | | | |
|---|---|--|--|------------------|------------|---|------------------------|--|
| CHG: SEE SHEET 1 EC NO: URF2012-0435 DRWN: JWIENER 2012/01/30 CHKD: SSS 2012/01/30 APPR: JWIENER 2012/01/31 | QUALITY SYMBOLS $\nabla=0$ $\nabla=0$ | GENERAL TOLERANCES (UNLESS SPECIFIED) | | DIMENSION STYLE | SCALE | DESIGN UNITS | THIRD ANGLE PROJECTION | |
| | | | | MM/IN | | METRIC | | |
| | | | | DRAWN BY | DATE | TITLE | | |
| | | | | CHECKED BY | DATE | SMP PLUG, EDMOUNT SMOOTH BORE, 50 OHMS EWR-2977 SMP-BP/PCB | | |
| B2 | DESCRIPTION REV | ANGULAR $\pm 2^\circ$ | | APPROVED BY | DATE | MOLEX INCORPORATED | | |
| | | DRAFT WHERE APPLICABLE MUST REMAIN WITHIN DIMENSIONS | | JDW | 2005/12/16 | DOCUMENT NO. SD-73415-574 | | |
| | | MATERIAL NO. SEE SHEET 1 | | SHEET NO. 2 OF 2 | | THIS DRAWING CONTAINS INFORMATION THAT IS PROPRIETARY TO MOLEX INCORPORATED AND SHOULD NOT BE USED WITHOUT WRITTEN PERMISSION | | |