

## Adapter - DC-B 6-ADP-4M12-FS-5CON-7X4-UT - 1581010

Please be informed that the data shown in this PDF Document is generated from our Online Catalog. Please find the complete data in the user's documentation. Our General Terms of Use for Downloads are valid (<http://download.phoenixcontact.com>)



DUPLICON, aluminum M12 adapter with 4 x M12 SPEEDCON fast connection (5-pos., A-coded, 4 A, 60 V) for DUPLICON contact inserts 6 x 4 mm<sup>2</sup> + PE, type B6, IP67 protection, with two locking latches, gasket and an M20 filler plug



### Key commercial data

Packing unit	1 PCE
Weight per Piece (excluding packing)	383.7 GRM
Custom tariff number	85369010
Country of origin	Germany

### Technical data

#### Dimensions

Height	81.1 mm
Width	75 mm
Length	89 mm

#### Ambient conditions

Degree of protection of housing (IP)	IP65
	IP66
	IP67
Ambient temperature (operation)	-40 °C ... 100 °C

#### General

Design	DC-B6
Color	pearl gray
Locking type	For double locking latch
Housing material	Aluminum die-cast
Housing surface material	EMC-conductive
Seal material	NBR

# Adapter - DC-B 6-ADP-4M12-FS-5CON-7X4-UT - 1581010

## Technical data

### General

Material lock	Stainless steel
Material grip body interlock	PA

## Classifications

### eCl@ss

eCl@ss 4.0	272607xx
eCl@ss 4.1	27260701
eCl@ss 5.0	27143424
eCl@ss 5.1	27143424
eCl@ss 6.0	27143424
eCl@ss 7.0	27440209
eCl@ss 8.0	27440209

### ETIM

ETIM 3.0	EC001121
ETIM 4.0	EC002636
ETIM 5.0	EC002498

### UNSPSC

UNSPSC 6.01	31251501
UNSPSC 7.0901	31251501
UNSPSC 11	31251501
UNSPSC 12.01	39121522
UNSPSC 13.2	39121413

## Accessories

### Accessories

### Device marking

Label - EML (26,5X12)R SR - 0816854



Label, Roll, silver/matt, Unlabeled, Can be labeled with: THERMOMARK ROLL, THERMOMARK X, THERMOMARK S1.1, Mounting type: Adhesive, Lettering field: 26.5 x 12 mm

### Protective cap

# Adapter - DC-B 6-ADP-4M12-FS-5CON-7X4-UT - 1581010

## Accessories

Screw plug - PROT-M12 - 1680539



An M12 screw plug for the unoccupied M12 sockets of the sensor/actuator cable, boxes and flush-type connectors

---

## Seal

Grommet - DC-B 6-A-HD-G - 1602326

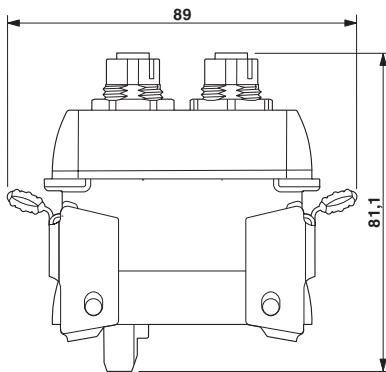


DUPLICON, profile gasket for stackable housing, made of conductive EPDM

---

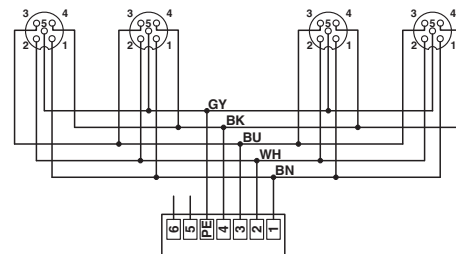
## Drawings

Dimensioned drawing



Dimensional drawing

Circuit diagram



Circuit diagram