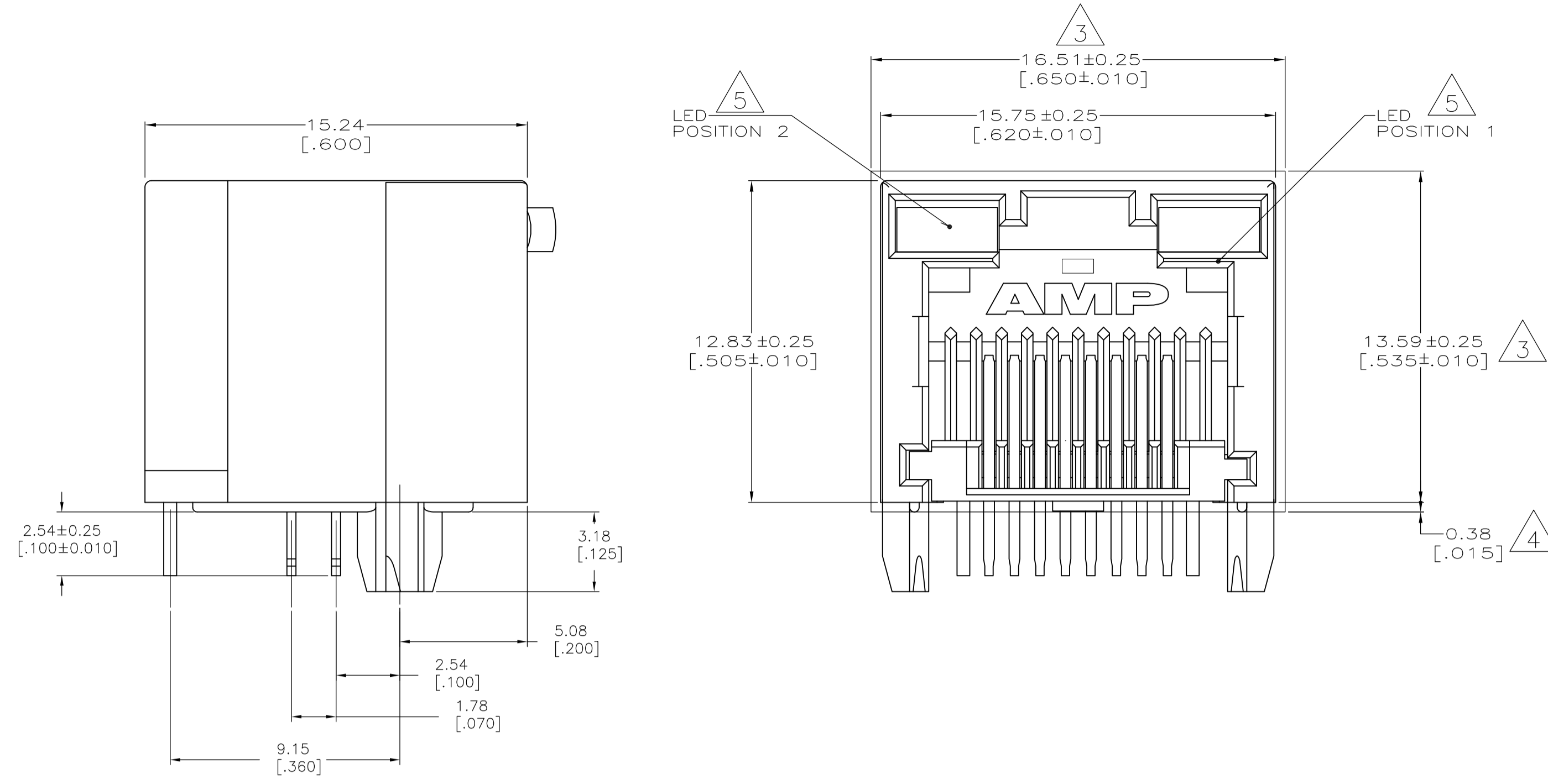
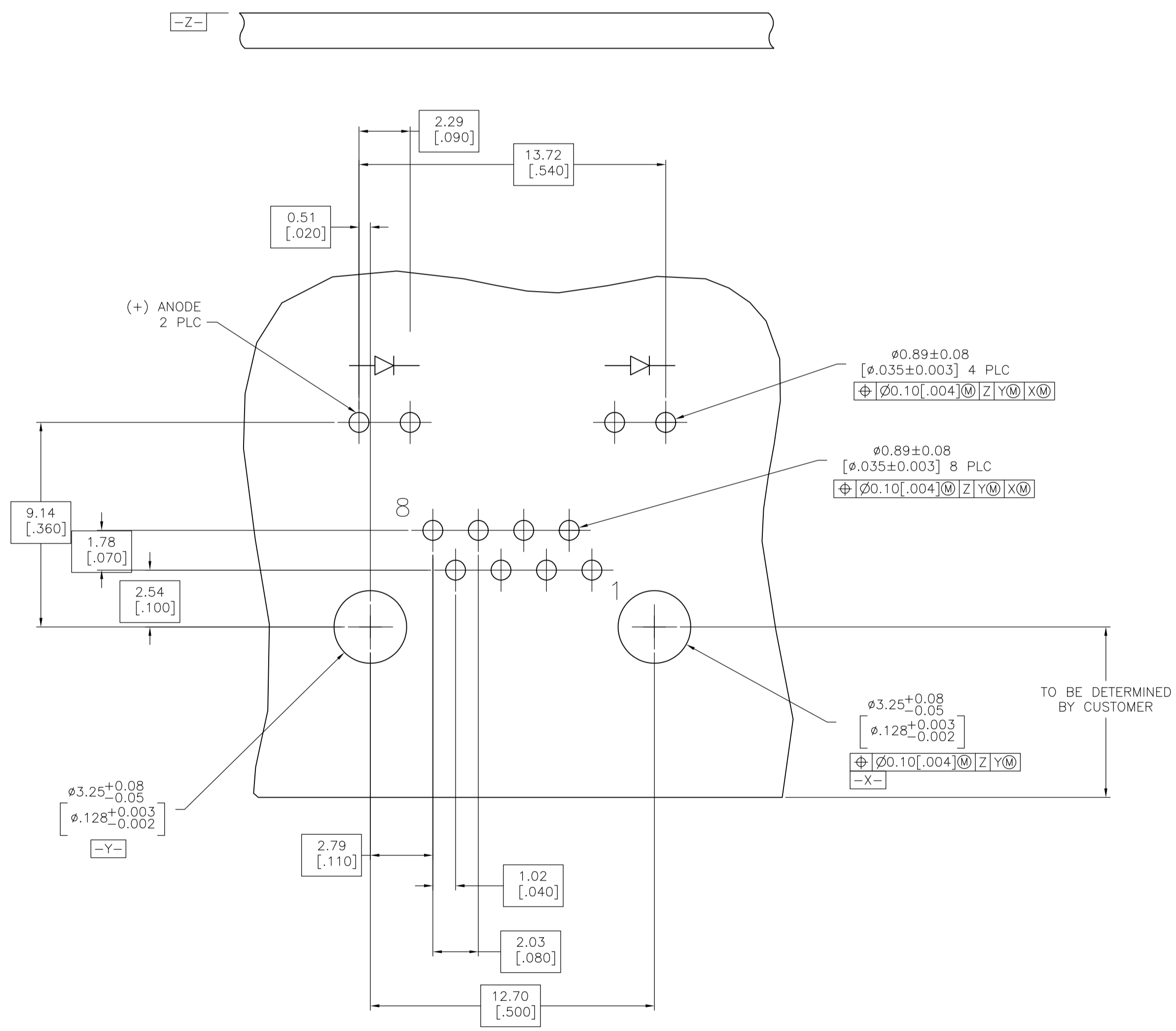


LOC		DIST		REVISIONS			
P	LTR	DESCRIPTION	DATE	DWN	APVD		
G		ECO-07-022131	05NOV07	LAM	JW		
G1		REVISED PER ECO-09-021826	12SEP09	KK	AEG		



- MATERIAL:
 HOUSING - HIGH TEMPERATURE THERMOPLASTIC, COLOR: BLACK, UL94V-0.
 TERMINALS - 0.36[.014] THICK PHOS BRONZE PLATED WITH 3.81μm[.000150] MINIMUM THICK BRIGHT TIN LEAD IN SOLDER AREA. 1.27μm[.000050] MINIMUM GOLD IN LOCALIZED PLATE AREA. ENTIRE TERMINAL PLATED WITH 1.27μm[.000050] MINIMUM THICK NICKEL.
 LIGHT EMITTING DIODE (LED) - DIFFUSED EPOXY LENS, .51 x .51[.020 x .020] CARBON STEEL WIREFRAME LEADS PLATED WITH 8.89μm[.000350] TIN/COPPER OVER 2.03μm[.000080] SILVER OVER 1.02μm[.000040] NICKEL UNDERPLATE OVER 2.03μm[.000080] COPPER UNDERPLATE.
 - JACK CAVITY CONFORMS TO FCC RULES AND REGULATIONS PART 68, SUBPART F.
- ⚠ SUGGESTED PANEL OPENING DIMENSIONS.
 ⚠ SUGGESTED CLEARANCE BETWEEN BOTTOM OF CONNECTOR AND BOTTOM PANEL OPENING.
 ⚠ SEE TABLE FOR COLOR OF LEDS AND NUMBER REQUIRED.
 ⚠ THIS MODULAR JACK WITH INTEGRATED LED IS NOT IR REFLOW SOLDERING PROCESS COMPATIBLE.
 ⚠ OBSOLETE PARTS: OBSOLETE CIS STREAMLINING PER D.RENAUD/D.SINISI



RECOMMENDED PRINTED CIRCUIT BOARD LAYOUT (COMPONENT SIDE)

INDICATOR COLOR	PART NUMBER	
	POSITION 2	POSITION 1
GREEN	-	1-406533-7
GREEN	RED/GREEN	1-406533-0
YELLOW	YELLOW	406533-6
YELLOW	-	406533-3
-	GREEN	406533-2
YELLOW	GREEN	406533-1

THIS DRAWING IS A CONTROLLED DOCUMENT.

DIMENSIONS: mm	TOLERANCES UNLESS OTHERWISE SPECIFIED:	DIN T. SPRINKLE 17SEP97	CHK T. SPRINKLE 17SEP97	APVD M. DERSTINE 17SEP97	NAME	Tyco Electronics Corporation Harrisburg, Pa 17105-3608
0 PLC ± -	1 PLC ± -	2 PLC ± 0.25[.010]	3 PLC ± 0.13[.005]	4 PLC ± -	ANGLES ± -	PRODUCT SPEC 108-1163-4
MATERIAL SEE NOTE 1	FINISH SEE NOTE 1	WEIGHT	SIZE A1	CAGE CODE 00779	DRAWING NO. 406533	RESTRICTED TO
CUSTOMER DRAWING		SCALE 8:1	SHEET 1 of 1	REV G1		