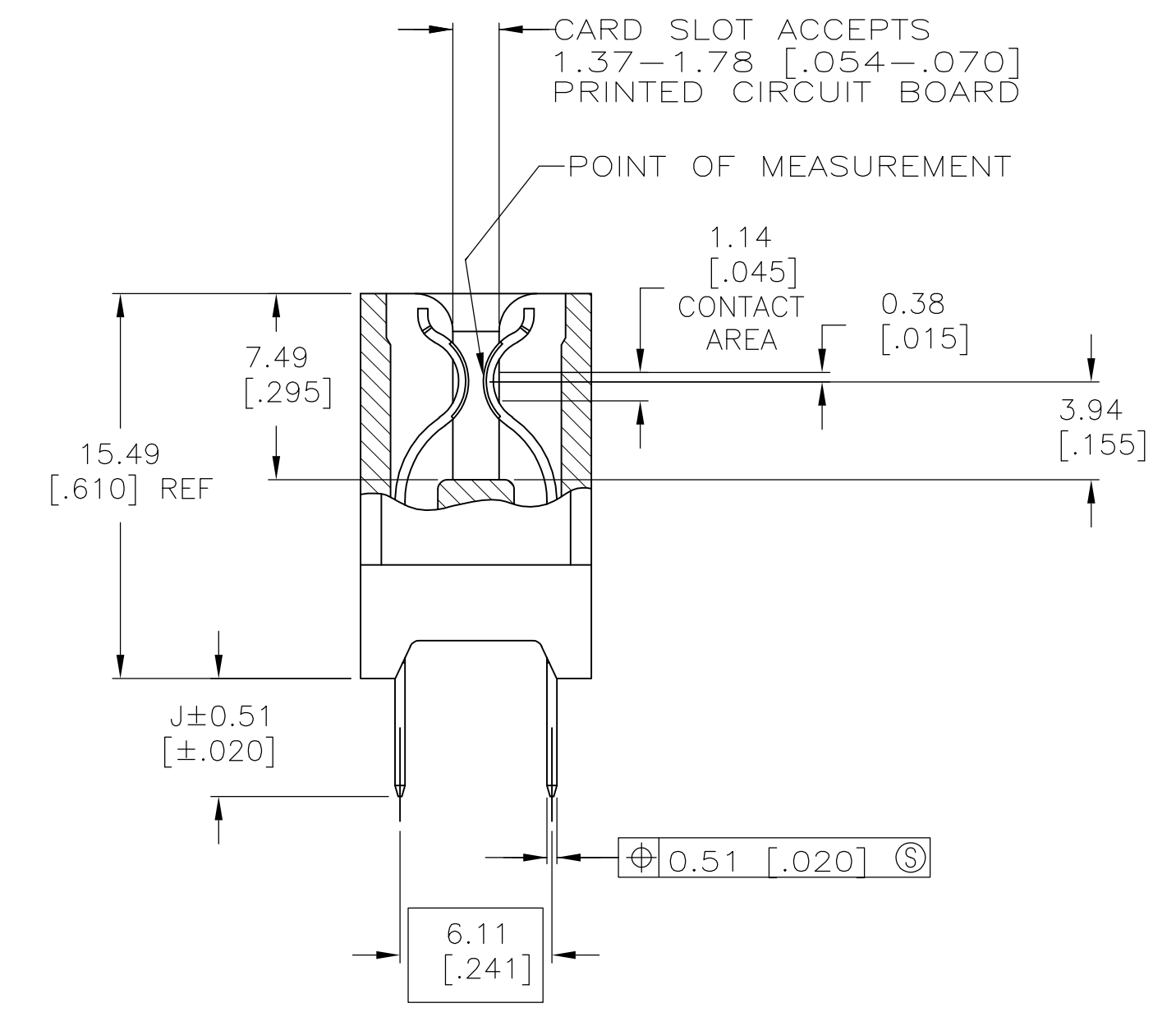
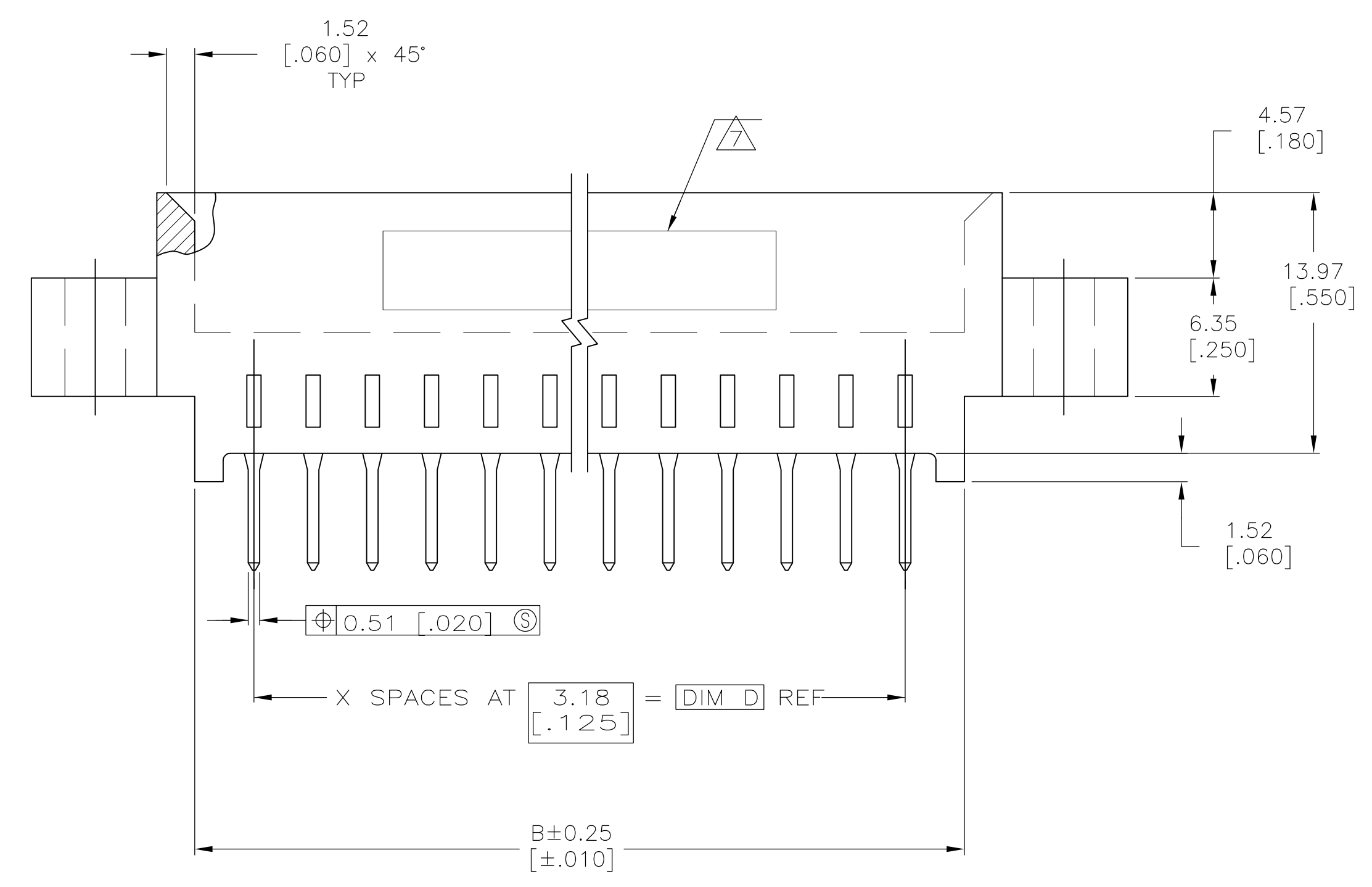
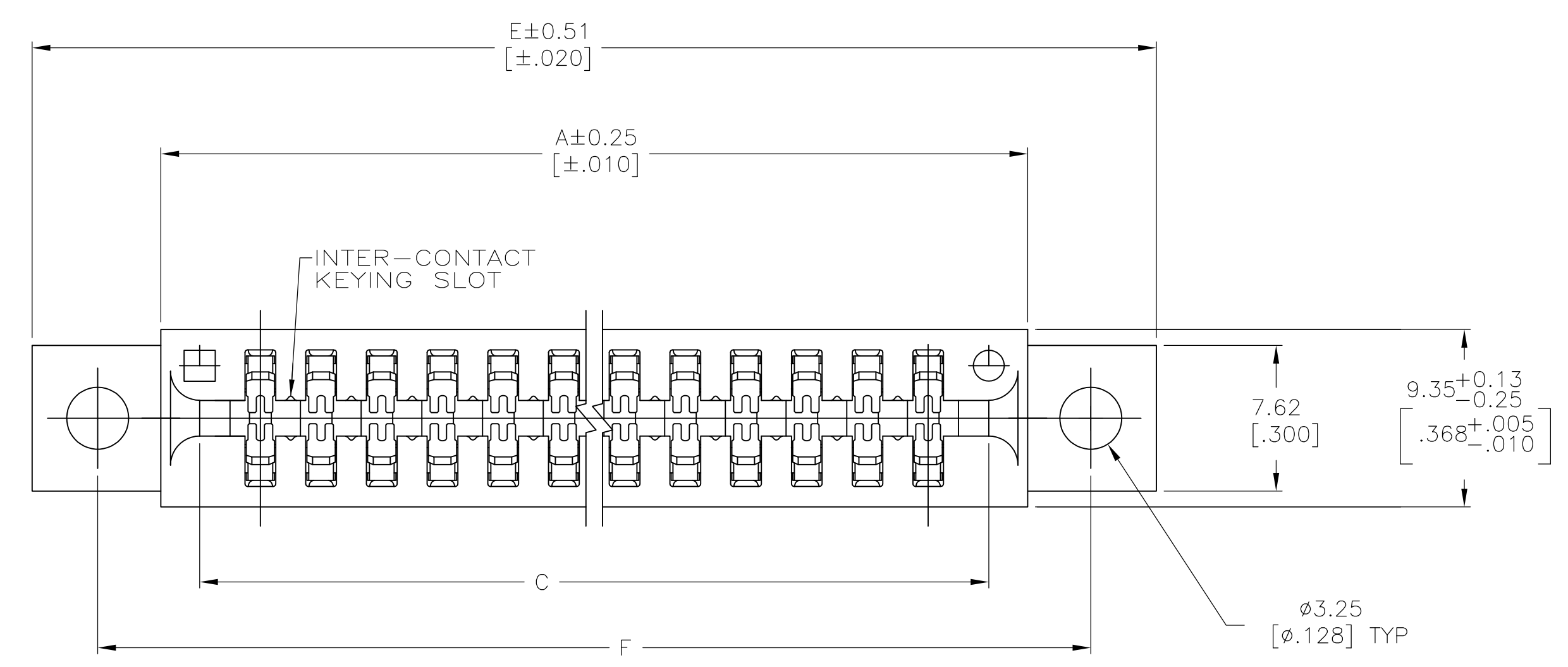


LOC		DIST		REVISIONS			
P	LTR	DESCRIPTION	DATE	DMN	APVD		
P3		REVISED PER ECO-11-005027	11MAR11	RK	HMR		



- ① HOUSING: GLASS FILLED POLYESTER; COLOR: BLACK.
- ② CONTACT: PHOSPHOR BRONZE.
- ③ NICKEL UNDERPLATE: 0.00127 [.000050] MIN - ALL OVER.
- ④ TIN-LEAD PLATE: 0.00254 [.000100] MIN - SOLDER POSTS.
- ⑤ GOLD PLATE: 0.00076 [.000030] MIN - CONTACT AREA.
- ⑥ NICKEL PLATE PER MIL-G-45204. GOLD PLATE PER QQ-N-290.
- ⑦ AMP PART NUMBER AND DATE CODE ARE MARKED IN APPROXIMATE AREA SHOWN, EITHER SIDE.
- 8. RECOMMENDED PCB FINISHED HOLE DIA: 1.02±0.08 [.040±.003].
- ⑨ MATTE TIN PLATE: 0.00254 [.000100] MIN - SOLDER POSTS.
- ⑩ OBSOLETE PARTS: OBSOLETE CIS STREAMLINING PER D.RENAUD/D.SINISI

THIS DRAWING IS A CONTROLLED DOCUMENT.		DIN R. SHIREY/UTA 11/4/91		TE Connectivity	
DIMENSIONS: mm [INCHES]		CHK J. DIORAZIO 8-10-92			
TOLERANCES UNLESS OTHERWISE SPECIFIED:		APVD		NAME	
0. PLC ± -		PRODUCT SPEC		CONNECTOR ASSEMBLY, STANDARD EDGE II, 3.18 [.125] CL	
1. PLC ± -		APPLICATION SPEC		SIZE CAGE CODE DRAWING NO	
2. PLC ± 0.13 [.005]		WEIGHT		A1 00779 C=531341	
3. PLC ± -		CUSTOMER DRAWING		SCALE 4:1 SHEET 1 OF 2 REV P3	
4. PLC ± -		RESTRICTED TO			
ANGLES ± -					
MATERIAL HOUSING: 1 CONTACT:					

	J	F	E	D	C	B	A	X	NO OF POSN	PART NUMBER
△9	4.75	102.74	109.35	85.72	92.08	92.08	96.14	27	28	8-531341-0
	[.187]	[4.045]	[4.305]	[3.375]	[3.625]	[3.625]	[3.785]			
△9△10	3.18	32.89	39.50	15.88	22.22	22.22	26.29	5	6	6-531341-3
	[.125]	[1.295]	[1.555]	[.625]	[.875]	[.875]	[1.035]			
OBSOLETE									44	5-531341-5
OBSOLETE									44	5-531341-4
OBSOLETE									60	5-531341-3
OBSOLETE									60	5-531341-2
OBSOLETE									60	5-531341-1
OBSOLETE									60	5-531341-0
OBSOLETE									31	4-531341-9
OBSOLETE	4.75	172.59	179.20	155.57	161.92	161.92	165.99	49	50	4-531341-8
	[.187]	[6.795]	[7.055]	[6.125]	[6.375]	[6.375]	[6.535]			
OBSOLETE									43	4-531341-7
OBSOLETE									40	4-531341-6
OBSOLETE									36	4-531341-5
OBSOLETE									35	4-531341-4
OBSOLETE	4.75	109.09	115.95	92.08	98.42	98.42	102.49	29	30	4-531341-3
	[.187]	[4.295]	[4.565]	[3.625]	[3.875]	[3.875]	[4.035]			
SUPERSEDED BY 3-531341-0									28	4-531341-2
OBSOLETE									22	4-531341-1

OBSOLETE									22	4-531341-0
OBSOLETE									15	3-531341-9
OBSOLETE									10	3-531341-8
OBSOLETE									6	3-531341-7
OBSOLETE									50	3-531341-6
OBSOLETE									43	3-531341-5
OBSOLETE									40	3-531341-4
OBSOLETE									36	3-531341-3
OBSOLETE									35	3-531341-2
OBSOLETE									30	3-531341-1
△4	4.75	102.74	109.35	85.72	92.08	92.08	96.14	27	28	3-531341-0
	[.187]	[4.045]	[4.305]	[3.375]	[3.625]	[3.625]	[3.785]			
OBSOLETE									22	2-531341-9
OBSOLETE									18	2-531341-8
OBSOLETE									15	2-531341-7
OBSOLETE									10	2-531341-6
OBSOLETE									6	2-531341-5
OBSOLETE	3.18	172.59	179.20	155.58	161.92	161.92	165.99	49	50	2-531341-4
	[.125]	[6.795]	[7.055]	[6.125]	[6.375]	[6.375]	[6.535]			
OBSOLETE									43	2-531341-3
OBSOLETE									40	2-531341-2
OBSOLETE									36	2-531341-1
OBSOLETE									35	2-531341-0
OBSOLETE									30	1-531341-9
OBSOLETE									28	1-531341-8
OBSOLETE									22	1-531341-7
OBSOLETE									18	1-531341-6
OBSOLETE									15	1-531341-5
OBSOLETE									10	1-531341-4
△10△4	3.18	32.89	39.50	15.88	22.22	22.22	26.29	5	6	1-531341-3
	[.125]	[1.295]	[1.555]	[.625]	[.875]	[.875]	[1.035]			
OBSOLETE									50	1-531341-2
OBSOLETE									43	1-531341-1
OBSOLETE									40	1-531341-0
OBSOLETE									36	531341-9
OBSOLETE									35	531341-8
OBSOLETE	3.18	109.09	115.95	92.08	98.42	98.42	102.49	29	30	531341-7
	[.125]	[4.295]	[4.565]	[3.625]	[3.875]	[3.875]	[4.035]			
OBSOLETE									28	531341-6
OBSOLETE									22	531341-5
OBSOLETE									18	531341-4
OBSOLETE									15	531341-3
OBSOLETE									10	531341-2
OBSOLETE									6	531341-1

SUPERSEDED BY 3-531341-0

THIS DRAWING IS A CONTROLLED DOCUMENT.		DIN 11/4/91 R. SHIREY/UTA		TE Connectivity	
DIMENSIONS: mm (INCHES)		TOLERANCES UNLESS OTHERWISE SPECIFIED:		NAME	
		0. PLC ± -		R. DIORAZIO	
		1. PLC ± -		APVD	
		2. PLC ± 0.13 [.005]		PRODUCT SPEC	
		3. PLC ± -		108-9039	
4. PLC ± -		APPLICATION SPEC		SIZE	
ANGLES ± -		FINISH		CAGE CODE	
MATERIAL HOUSING: 1		CONTACT:		DRAWING NO	
				A1 00779	
				DRAWING NO	
				531341	
				RESTRICTED TO	
				-	
				CUSTOMER DRAWING	
				SCALE 4:1	
				SHEET 2 OF 2	
				REV P3	