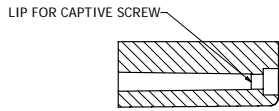
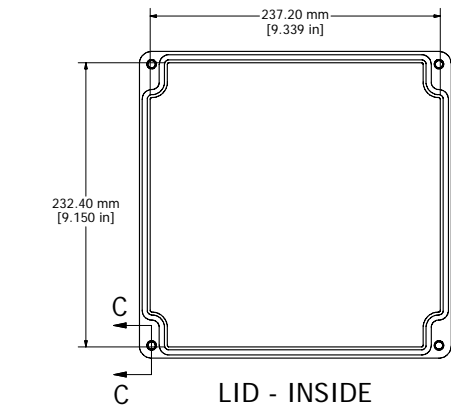
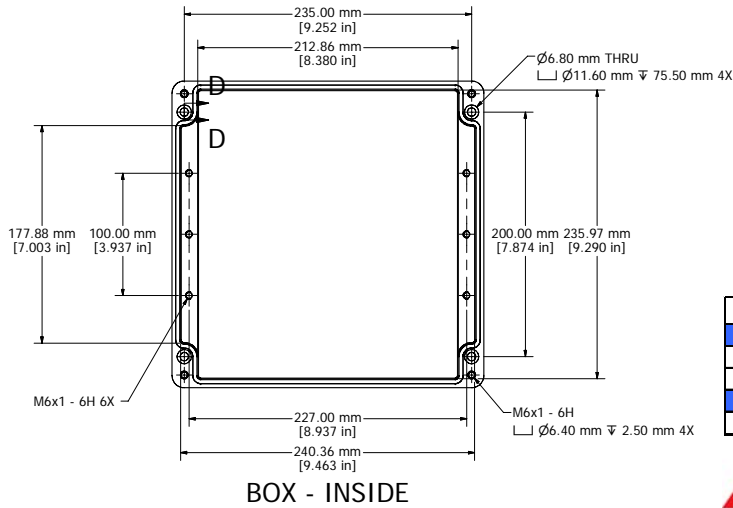


SECTION B-B

SECTION D-D



SECTION C-C



UL US LISTED
File #E65324
NEMA 4, 4X

FIBERGLASS ENCLOSURE	
INCLUDES	
1	ENCLOSURE
4	M6 x 70mm PAN HEAD SCREWS
ACCESSORIES	
STEEL INNER PANEL	1590ZGRP235PL

HAMMOND MANUFACTURING™
1590ZGRP235
www.hammondmfg.com