

Legal and additional information.

About Samsung Electronics Co., Ltd.

Samsung Electronics Co., Ltd. is a global leader in technology, opening new possibilities for people everywhere. Through relentless innovation and discovery, we are transforming the worlds of televisions, smartphones, personal computers, printers, cameras, home appliances, LTE systems, medical devices, semiconductors and LED solutions. We employ 236,000 people across 79 countries with annual sales of US\$187.8 billion. To discover more, please visit www.samsungled.com.

Copyright © 2013 Samsung Electronics Co. Ltd. All rights reserved. Samsung is a registered trademark of Samsung Electronics Co. Ltd. Specifications and designs are subject to change without notice. Non-metric weights and measurements are approximate. All data were deemed correct at time of creation. Samsung is not liable for errors or omissions. All brand, product, service names and logos are trademarks and/or registered trademarks of their respective owners and are hereby recognized and acknowledged.

Samsung Electronics Co., Ltd.
416, Maetan 3-dong,
Yeongtong-gu
Suwon-si, Gyeonggi-do 443-772,
Korea

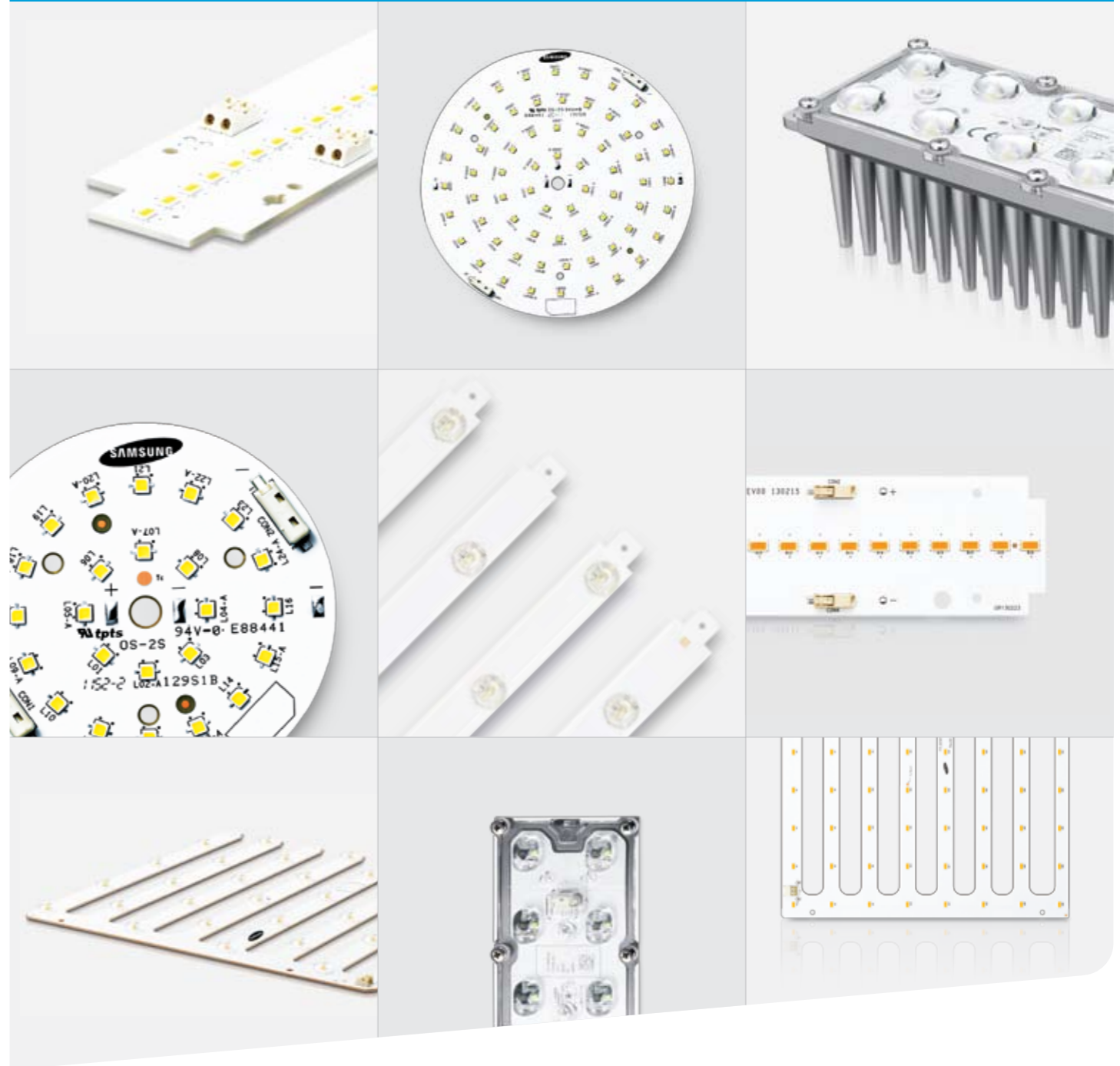
www.samsungled.com

Samsung
Lighting

SAMSUNG

Discover Samsung Smart Lighting

The best solution for luminaires



Samsung
Lighting

SAMSUNG

Contents



Page caption	Page
Overview & Performance	4
Product Lineup	6
- Ambient Light Engines	8
- DownLight Engines	20
- Outdoor Engines	24
Full Lineup	30

Overview & Performance

Samsung Electronics Co., Ltd. is a global leader in consumer electronics and the core components that go into them.

Overview

Samsung's global network extends across the world where the creativity, expertise and diverse perspectives of employees are helping to drive growth.

Manufacturing Sites	37
R&D Centers	33
Design Centers	6
Distribution Centers	3
Regional Headquarters	15

79 Countries

* As of April 2013. Figures include domestic and overseas facilities.

Brand Value

Rising in rank from its No. 9 position in 2012, this year Samsung recorded a brand value of \$39.6 billion, a 20.4% increase compared to last year's \$32.9 billion.

Rank	Company	Rank	Company	Rank	Company	Rank	Company
1	Coca-Cola	1	Coca-Cola	1	Coca-Cola	1	Apple
2	IBM	2	IBM	2	Apple	2	Google
3	Microsoft	3	Apple	3	IBM	3	Coca-Cola
4	Google	4	Google	4	Google	4	IBM
...
9	Samsung Electronics	7	Samsung Electronics	8	Samsung Electronics	8	Samsung Electronics
...
19	Nokia	19	Nokia	19	Nokia	9	Intel
20	Amazon	20	Amazon	20	Amazon	10	Toyota
...
26	Nike	35	Sony
29	Sony	41	Philips
30	Starbucks

* Source : Interbrand / Business Week

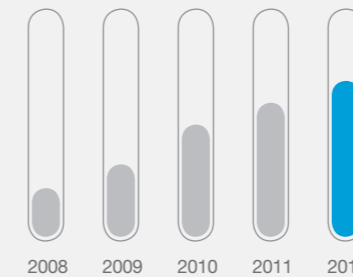
Samsung aspires to create new technologies and innovative products that inspire the world, while delivering new value to enhance the lives of customers, partners and employees.

Intellectual Property

In 2012, Samsung registered 5,081 new patents at the U.S. Patent & Trade Office. This placed it as the second-highest U.S. patent winner, a position it has held for the past six consecutive years.

Samsung Patents (U.S.)

(5081 in 2012)



Top Patent Holders (U.S.)



* Source: USPTO, based on registration

Design Leadership

Samsung has been recognized with over 600 design accolades, including 91 design awards from prestigious design bodies such as iF and IDEA. In 2012, the company had 44 products awarded by the iF International Forum Design, the largest number for any participant, placing it at top of the iF rankings over the last three years.

Ranked #1 in iF (Germany)

2010-2013

Rank	Point	Company	Country
1	2600	Samsung Electronics	South Korea
2	2300	Sony	Japan
3	1860	Philips	Netherlands
4	1580	LG	Korea
5	1580	Apple	US

Ranked #1 in IDEA (US)

2008-2012

Rank	Point	Company	Country
1	13	Samsung Electronics	South Korea
2	13	Microsoft	US
3	12	GE Healthcare	US
4	11	Belkin	US
5	11	Dell Inc.	US
...
11	11	Apple	US

Engines



The best solution for luminaires
Samsung LED Engines are designed for long life and high efficiency, suitable for a wide variety of applications.

Ambient Light Engines

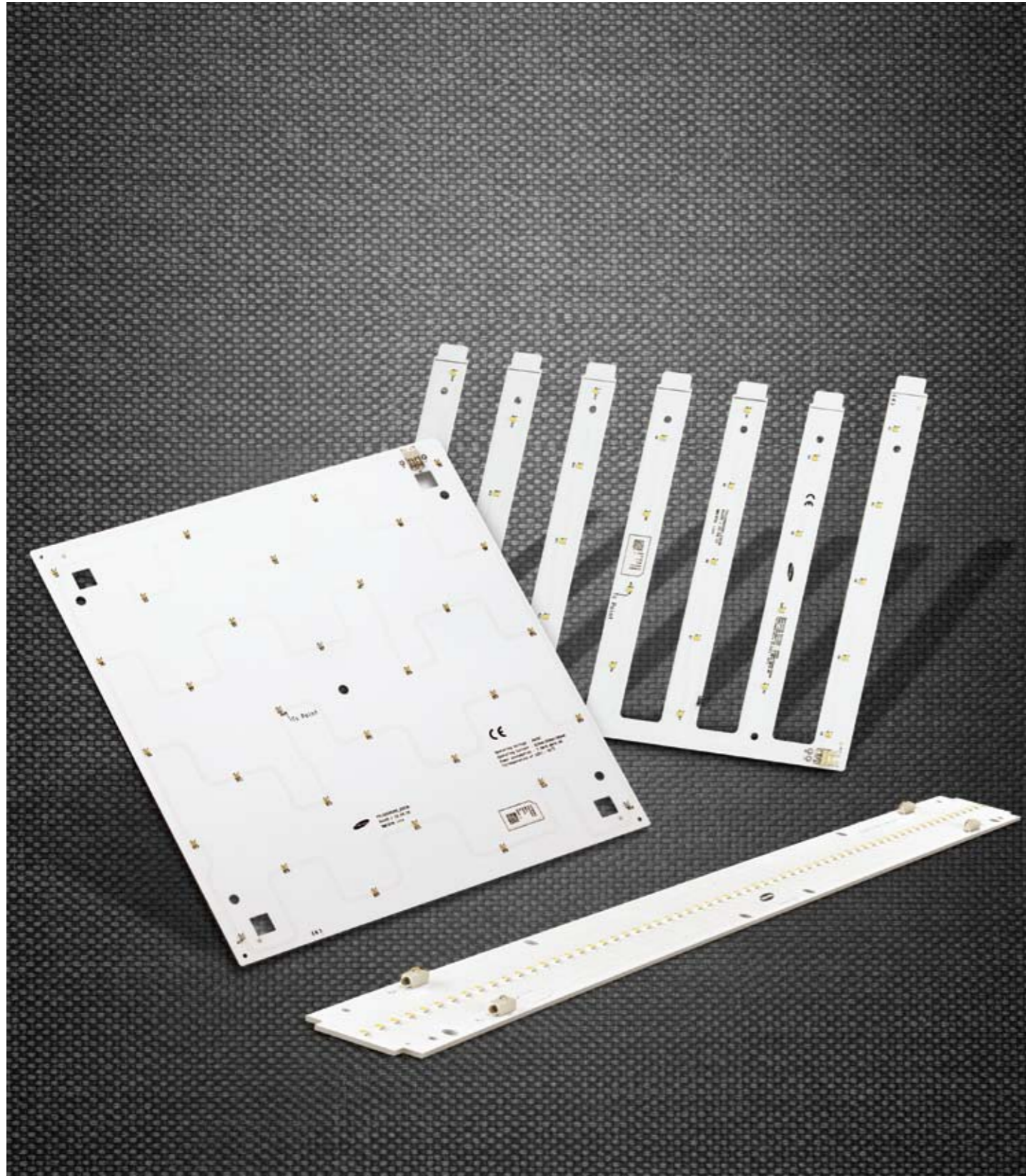
Linear Type / Finger.Tile Type

DownLight Engines

Outdoor Engines

Modular Light Engine / Array Light Engine

Ambient Light Engine



Features

Linear Type

With its modular construction, easy to use connections, and best color consistency, the Linear Type is the perfect alternative to fluorescent lighting.

- Tight color binning for best color consistency and high uniformity
- Modular design flexibility makes a wide variety of luminaire designs possible
- Peace of mind with Samsung-backed quality and performance
- Zhaga compatible design ensures the Linear Type Module is future proof

Finger Type

High efficacy Finger Type engines that are cost-effective and deliver uniform light output.

- Available to design slimmer luminaire integrating optical technology (LAM Type)
- Value added optical technology designed by Samsung (LAM Type)
- Easy to design-in
- Uses LM-80 test completed Samsung's LM231A, LM561B for proven reliability and performance
- Optimized number of packages for superior light uniformity
- Good thermal performance leads to greater durability and long lifetimes

Tile Type

High efficacy flat panel engines that deliver the most uniform light output makes the Tile Type suitable for a wide variety of applications.

- Easy to design-in
- Uses LM-80 test completed Samsung's LM231A, LM561B for proven reliability and performance
- Optimized number of packages for superior light uniformity
- Good thermal performance leads to greater durability and long lifetimes

Applications

[\[Indoor Lighting\]](#) Pendant Lighting, Surface-mounted Lighting [\[Outdoor Lighting\]](#) Recessed Lighting, Cove Lighting
[\[Consumer Lighting\]](#) Ambient Lighting



Linear Type



LT-H284A



LT-H564A



LT-E284A



LT-E564A

H-series / E-series

Type	Model Name	Luminous Flux (lm)	Power Consumption (W)	Input Voltage (V)	Efficacy (lm/W)	CRI	CCT (K)	Beam Angle (°)	Size (mm)	Temperature Range (°C)	Lifetime (hrs)	Certification
LT-H284A	SI-B8V081280WW	1,070	8.1	11.6	132	80	3000	115	280x40x6.0	-20~+70°C	50,000	ENCE, CE
	SI-B8U081280WW	1,110			135		3500					
	SI-B8T081280WW	1,140			141		4000					
	SI-B8R081280WW	1,160			143		5000					
LT-H564A	SI-B8V161560WW	2,140	16.2	23.2	132	80	3000	115	280x40x6.0	-20~+70°C	50,000	ENCE, CE
	SI-B8U161560WW	2,200			135		3500					
	SI-B8T161560WW	2,280			141		4000					
	SI-B8R161560WW	2,320			143		5000					
LT-E284A	SI-B8V082280WW	1,010	8.5	12.1	119	80	3000	115	280x40x6.0	-20~+70°C	50,000	ENCE, CE
	SI-B8U082280WW	1,040			123		3500					
	SI-B8T082280WW	1,080			128		4000					
	SI-B8R082280WW	1,090			129		5000					
LT-E564A	SI-B8V162560WW	2,020	17.0	24.3	119	80	3000	115	280x40x6.0	-20~+70°C	50,000	ENCE, CE
	SI-B8U162560WW	2,080			123		3500					
	SI-B8T162560WW	2,160			128		4000					
	SI-B8R162560WW	2,180			129		5000					



LT-Z282A



LT-Z284A / LT-Z284B



LT-Z286A



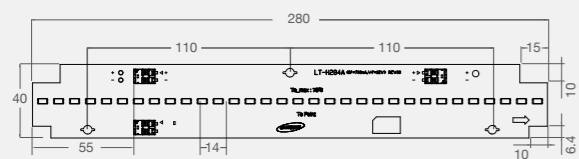
LT-Z564A

Z-series

Type	Model Name	Luminous Flux (lm)	Power Consumption (W)	Input Voltage (V)	Efficacy (lm/W)	CRI	CCT (K)	Beam Angle (°)	Size (mm)	Temperature Range (°C)	Lifetime (hrs)	Certification
LT-Z282A	STIFMW8300601POLIN	650	5.4	23.1	121	80	3000	115	280x24x5.95	-20~+60°C	50,000	CE
	STIFMW8350601POLIN	670			124		3500					
	STIFMW8400601POLIN	680			126		4000					
	STIFMW8500601POLIN	700			130		5000					
LT-Z284A	STIFMW8301002POLIN	1,060	9.2	23.8	115	80	3000	115	280x40x5.95	-20~+60°C	50,000	CE
	STIFMW8351002POLIN	1,080			118		3500					
	STIFMW8401002POLIN	1,100			120		4000					
	STIFMW8501002POLIN	1,140			124		5000					
LT-Z284B	STIFMW8301003POLIN	1,060	9.2	23.8	115	80	3000	115	280x40x5.95	-20~+60°C	50,000	CE
	STIFMW8351003POLIN	1,080			118		3500					
	STIFMW8401003POLIN	1,100			120		4000					
	STIFMW8501003POLIN	1,140			124		5000					
LT-Z286A	STIFMW8301904POLIN	2,100	18.3	23.8	115	80	3000	115	280x41.6x5.95	-20~+60°C	50,000	CE
	STIFMW8351904POLIN	2,140			117		3500					
	STIFMW8401904POLIN	2,190			119		4000					
	STIFMW8501904POLIN	2,250			123		5000					
LT-Z564A	STIFMW8301905POLIN	2,100	18.3	23.8	115	80	3000	115	560x40x5.95	-20~+60°C	50,000	CE
	STIFMW8351905POLIN	2,150			118		3500					
	STIFMW8401905POLIN	2,200			120		4000					
	STIFMW8501905POLIN	2,270			124		5000					

Product Size (unit : mm)

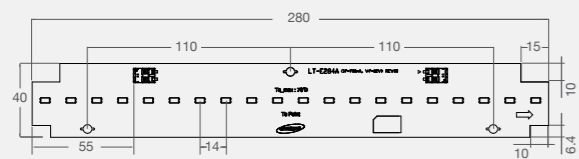
[H-series / E-series]



LT-H284A



LT-H564A



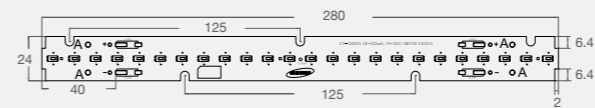
LT-E284A



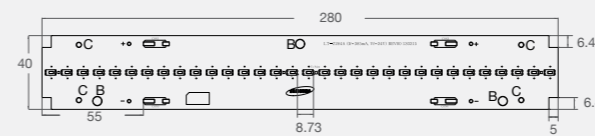
LT-E564A

Product Size (unit : mm)

[Z-series]



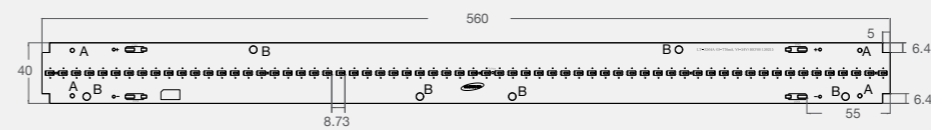
LT-Z282A



LT-Z284A / LT-Z284B



LT-Z286A



LT-Z564A

Finger Type



LAM-SQ32C



LAM-SQ32D



LAM-RT32C



LAM-RT32D

Type	Model Name	Luminous Flux (lm)	Power Consumption (W)	Input Voltage (V)	Efficacy (lm/W)	CRI	CCT (K)	Beam Angle (°)	Size (mm)	Temperature Range (°C)	Lifetime (hrs)	Certification
LAM-SQ32C	SI-B8T091260WW	1,270			137		4000					
	SI-B8R091260WW	1,310	9.2	24	142	80	5000	145	259x250x6.7	-20~+50°C	50,000	-
	SI-B8P091260WW	1,270			137		6500					
LAM-SQ32D	SI-B8T092260WW	1,270			137		4000					
	SI-B8R092260WW	1,310	9.2	24	142	80	5000	145	259x250x6.7	-20~+50°C	50,000	-
	SI-B8P092260WW	1,270			137		6500					
LAM-RT32C	SI-B8T091280WW	1,270			137		4000					
	SI-B8R091280WW	1,310	9.2	24	142	80	5000	145	216x273x6.7	-20~+50°C	50,000	-
	SI-B8P091280WW	1,270			137		6500					
LAM-RT32D	SI-B8T092280WW	1,270			137		4000					
	SI-B8R092280WW	1,310	9.2	24	142	80	5000	145	216x273x6.7	-20~+50°C	50,000	-
	SI-B8P092280WW	1,270			137		6500					

• C/D: They are different location of the connector



Finger-SQ64B



Finger-RT64B



Finger-SQ32A

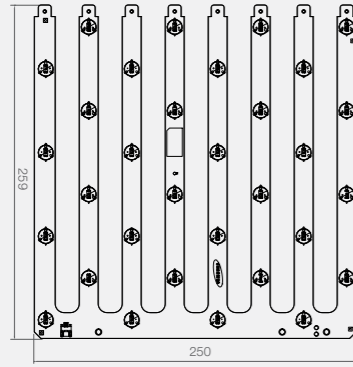


Finger-RT32A

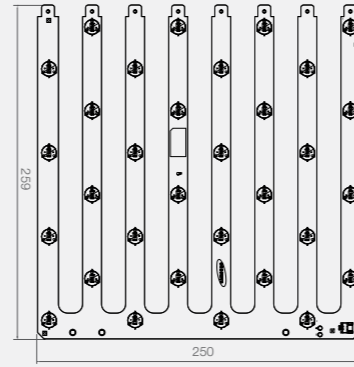
Type	Model Name	Luminous Flux (lm)	Power Consumption (W)	Input Voltage (V)	Efficacy (lm/W)	CRI	CCT (K)	Beam Angle (°)	Size (mm)	Temperature Range (°C)	Lifetime (hrs)	Certification
Finger-SQ64B	SI-B8V101250WW	1,150			142		3000					
	SI-B8U101250WW	1,170			144		3500					
	SI-B8T101250WW	1,230	8.1	11.6	151	80	4000	115	259x250x6.0	-20~+60°C	50,000	ENCE, CE
	SI-B8R101250WW	1,250			154		5000					
	SI-B8P101250WW	1,170			144		6500					
Finger-RT64B	SI-B8V101280WW	1,150			142		3000					
	SI-B8U101280WW	1,170			144		3500					
	SI-B8T101280WW	1,230	8.1	11.6	151	80	4000	115	230x273x6.0	-20~+60°C	50,000	ENCE, CE
	SI-B8R101280WW	1,250			154		5000					
	SI-B8P101280WW	1,170			144		6500					
Finger-SQ32A PO	STIFMW8304501POSEP	1,050			114		3000					
	STIFMW8354501POSEP	1,070			116		3500					
	STIFMW8404501POSEP	1,090	9.2	24.0	119	80	4000	120	250x250x1.6	-20~+60°C	50,000	CE, UL
	STIFMW8504501POSEP	1,130			122		5000					
	STIFMW8654501POSEP	1,120			121		6500					
Finger-SQ32A PU	STIFMW8304501PUSEP	1,050			114		3000					
	STIFMW8354501PUSEP	1,070			116		3500					
	STIFMW8404501PUSEP	1,090	9.2	24.0	119	80	4000	120	250x250x1.6	-20~+60°C	50,000	CE, UL
	STIFMW8504501PUSEP	1,130			122		5000					
	STIFMW8654501PUSEP	1,120			121		6500					
Finger-RT32A PO	STIFMW8304502POSEP	1,050			114		3000					
	STIFMW8354502POSEP	1,070			116		3500					
	STIFMW8404502POSEP	1,090	9.2	24.0	119	80	4000	120	216x280x1.6	-20~+60°C	50,000	CE, UL
	STIFMW8504502POSEP	1,130			122		5000					
	STIFMW8654502POSEP	1,120			121		6500					
Finger-RT32A PU	STIFMW8304502PUSEP	1,050			114		3000					
	STIFMW8354502PUSEP	1,070			116		3500					
	STIFMW8404502PUSEP	1,090	9.2	24.0	119	80	4000	120	216x280x1.6	-20~+60°C	50,000	CE, UL
	STIFMW8504502PUSEP	1,130			122		5000					
	STIFMW8654502PUSEP	1,120			121		6500					

• PO : Poke-in type PCB Connector / PU : Plug-in type PCB Connector

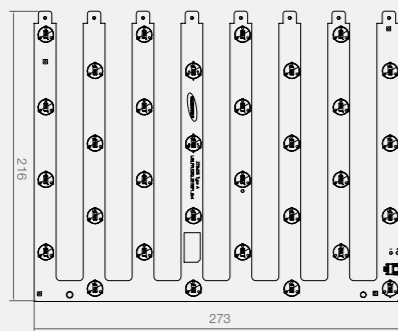
Product Size (unit : mm)



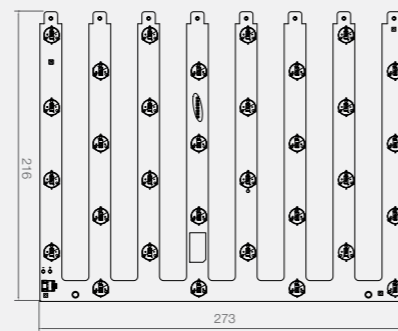
LAM-SQ32C



LAM-SQ32D

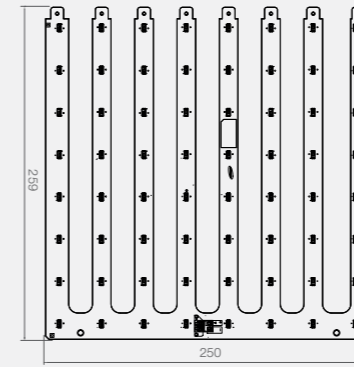


LAM-RT32C

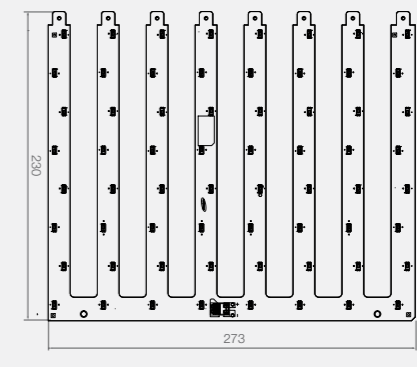


LAM-RT32D

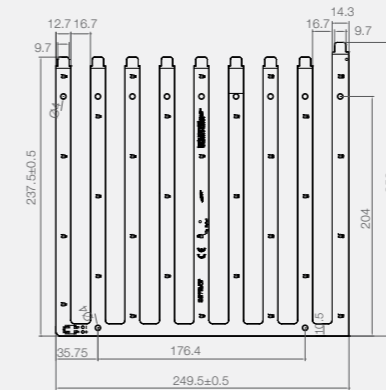
Product Size (unit : mm)



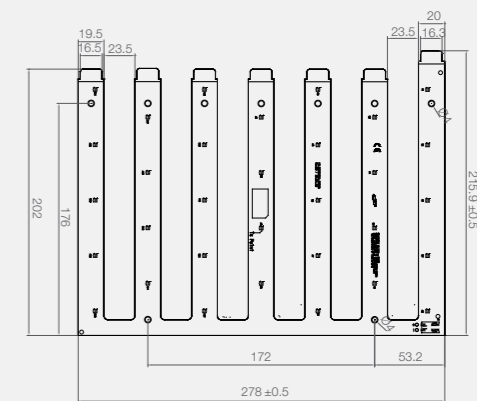
Finger-SQ64B



Finger-RT64B



Finger-SQ32A



Finger-RT32A

Tile Type



Tile-SQ32A

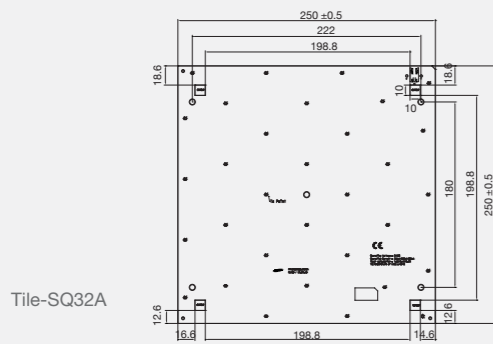


Tile-RT32A

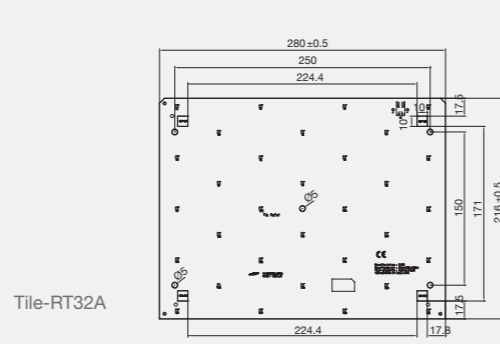
Type	Model Name	Luminous Flux (lm)	Power Consumption (W)	Input Voltage (V)	Efficacy (lm/W)	CRI	CCT (K)	Beam Angle (°)	Size (mm)	Temperature Range (°C)	Lifetime (hrs)	Certification
Tile-SQ32A PO	STIFMW8304501POSQU	1,050	9.2	24.0	114	80	3000	120	250x250x1.6	-20~+60°C	50,000	CE, UL
	STIFMW8354501POSQU	1,070			116		3500					
	STIFMW8404501POSQU	1,090			119		4000					
	STIFMW8504501POSQU	1,130			122		5000					
	STIFMW8654501POSQU	1,120			121		6500					
Tile-RT32A PO	STIFMW8304502POSQU	1,050	9.2	24.0	114	80	3000	120	216x280x1.6	-20~+60°C	50,000	CE, UL
	STIFMW8354502POSQU	1,070			116		3500					
	STIFMW8404502POSQU	1,090			119		4000					
	STIFMW8504502POSQU	1,130			122		5000					
	STIFMW8654502POSQU	1,120			121		6500					
Tile-SQ32A PU	STIFMW8304501PUSQU	1,050	9.2	24.0	114	80	3000	120	250x250x1.6	-20~+60°C	50,000	CE, UL
	STIFMW8354501PUSQU	1,070			116		3500					
	STIFMW8404501PUSQU	1,090			119		4000					
	STIFMW8504501PUSQU	1,130			122		5000					
	STIFMW8654501PUSQU	1,120			121		6500					
Tile-RT32A PU	STIFMW8304502PUSQU	1,050	9.2	24.0	114	80	3000	120	216x280x1.6	-20~+60°C	50,000	CE, UL
	STIFMW8354502PUSQU	1,070			116		3500					
	STIFMW8404502PUSQU	1,090			119		4000					
	STIFMW8504502PUSQU	1,130			122		5000					
	STIFMW8654502PUSQU	1,120			121		6500					

• PO : Poke-in type PCB Connector / PU : Plug-in type PCB Connector

Product Size (unit : mm)



Tile-SQ32A

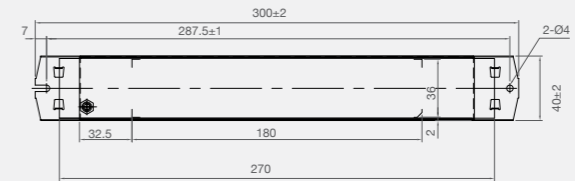


Tile-RT32A

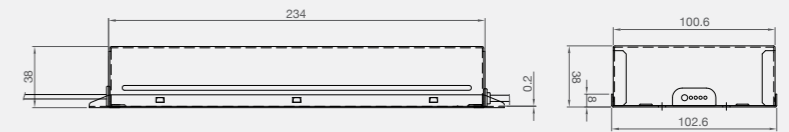
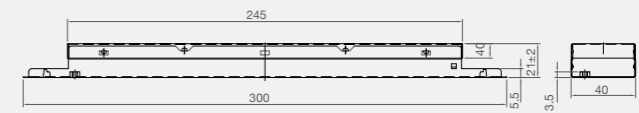
Ambient Engine Driver

Model Name	Power Consumption (W)	Size (mm)	Input Voltage (V)	Output Voltage (V)	Output Current/ch (A)	Efficiency	THD	Channel	Dimming	Certification
STIFP227040DL24AAA	35/40/45	280×40×21	220~240	20.0~31.0	0.63/0.7/0.77	85%	<20%	2	DALI	VDE, CE, ENEC
STIFP227040ZD24AAA	35/40/45	280×40×21	220~240	20.0~31.0	0.63/0.7/0.77	85%	<20%	2	0 to 10	VDE, CE, ENEC
STIFP218750N024EUR	35/40/45/50	212x41x30.5	220~240	20.0~31.0	0.63/0.7/0.77/0.84	87%	<15%	2	Non Dimming	VDE, CE, ENEC

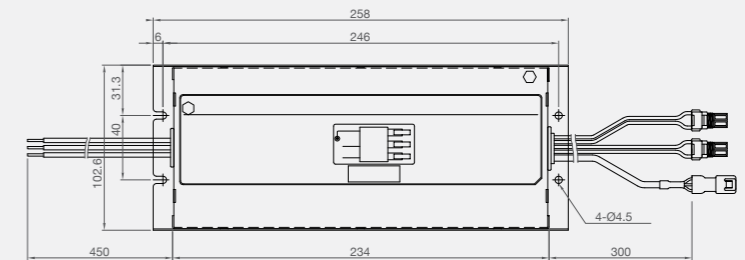
Product Size (unit : mm)



STIFP227040DL24AAA
STIFP227040ZD24AAA



STIFP218750N024EUR



Downlight Engine



Features

High efficacy Downlight Engines that are ideal for use in circular ceiling lights and downlights.

- High efficacy downlight modules with latest LED technology from Samsung
- Suitable for various application including general flood, spot and ceiling light
- Best color consistency derived from Samsung's extensive binning expertise



Round-62B



Round-90B



Round-130B

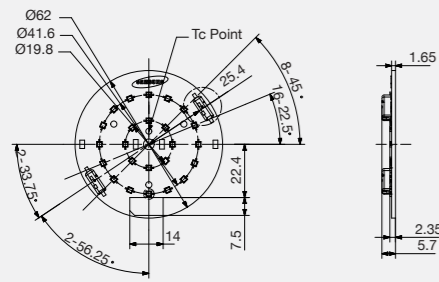
Applications

Downlight, Circular Ceiling Lighting, Circular Pendant Lighting

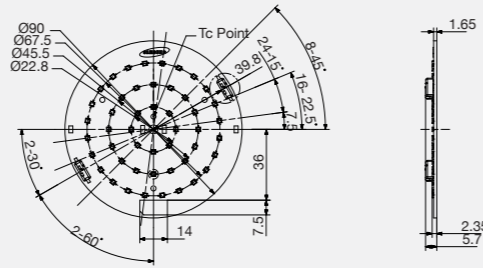


Type	Model Name	Luminous Flux (lm)	Power Consumption (W)	Input Voltage (V)	Efficacy (lm/W)	CRI	CCT (K)	Beam Angle (°)	Size (mm)	Weight (g)	Temperature Range (°C)	Lifetime (hrs)	Certification
Round-62B	STIDMW830042112AAA	450	4.2	12	107	80	3000	115	Φ62x5.7	11	-30~+50°C	50,000	CE
	STIDMW840042112AAA	510			121								
Round-90B	STIDMW830082112AAA	905	8.4	24	108	80	3000	115	Φ90x5.7	23	-30~+50°C	50,000	CE
	STIDMW840082112AAA	1,030			123								
Round-130B	STIDMW830112112AAA	1,240	11.6	33	107	80	3000	115	Φ130x5.7	35	-30~+50°C	50,000	CE
	STIDMW840112112AAA	1,390			120								

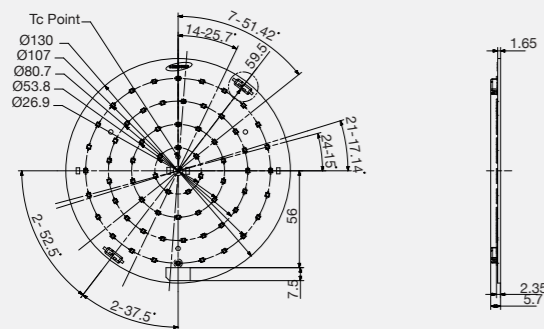
Product Size (unit : mm)



Round-62B



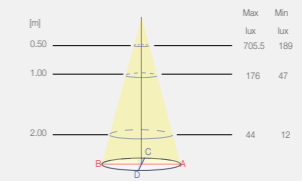
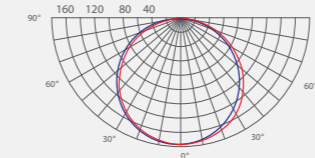
Round-90B



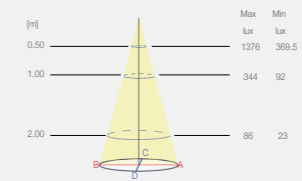
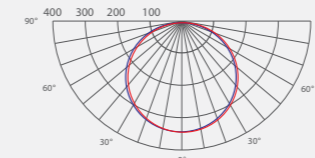
Round-130B

Radial Distribution / Conical Illuminance

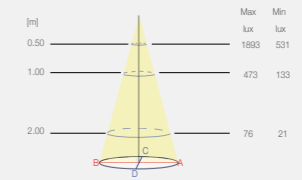
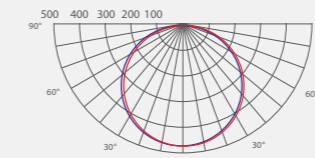
Round-62B



Round-90B



Round-130B



Outdoor Engine



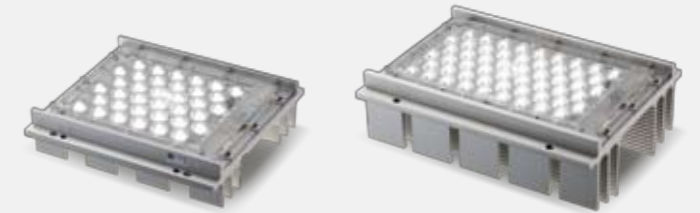
Features

The Outdoor Engines's easy-to-use modular design with various lumen packages, combined with IP66-certified durability, makes it the smart choice for use in the harshest of environments.

- Wide range of engine combinations available from 25W to 200W and well-suited for a variety of harsh environment applications
- High luminous efficacy
- Available with a full range of compatible drivers



Modular Light Engine



Array Light Engine

Applications

[Indoor Lighting] High-bay Lighting [Outdoor Lighting] Security Lighting, Street Lighting



Modular Light Engine

Type	Model Name	Luminous Flux (lm)	Power Consumption (W)	Efficacy (lm/W)	CRI	CCT (K)	Weight (g)	Waterproof/Dustproof Grade	Temperature Range (°C)	Power Factor
II-Short (I)	STOPMW830250V2SE31	1,450	21.5	67	80	3000	280x12	IP66	-30~+70°C	0.9
	STOPMW840250V2SE31	1,500		70	80	4000				
	STOPMW757252V2SE31	1,900		88	70	5000				
II-Medium (I)	STOPMWD50252V2ME31	1,900	21.5	84	70	5000	280x12	IP66	-30~+70°C	0.9
BA 85 (Floodlight)	STOPMW840250V85E31	1,500	21.5	70	80	4000	280x12	-	-30~+70°C	0.9
	STOPMW757252V85E31	1,900		93	70	5000				

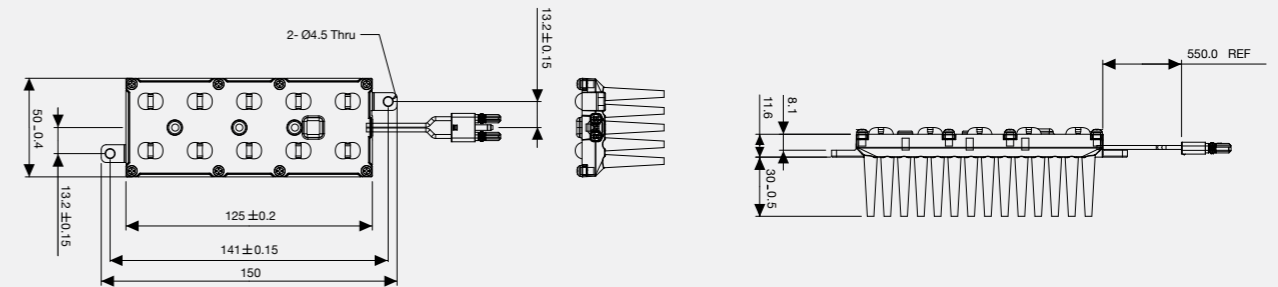
Modular Light Engine Driver

Type	Model Name	Power Consumption (W)	Size (mm)	Input Voltage (V)	Output Voltage (V)	Output Current /ch (A)	Efficiency	THD	Channel	Classification
Independent type	STOOPF17025Z032S00	25	196x70x33.1	100~240	28.0~34.0	0.7	75%	<20%	1	Class II
Independent type	STOOPF21450Z032S00	50		1.4		85%				
Independent type	STOOPF22175Z032S00	75		2.1		85%				
Independent type	STOOPF214A0Z032S00	100	258x102.6x38.0	100~240	28.0~36.0	1.4	85%	<20%	2	Class I
Built-in type	STOOPF214A0Z032S01	100		1.4		85%				
Independent type	STOOPF221A5Z032S00	150		2.1		85%				
Built-in type	STOOPF221A5Z032S01	150		2.1		85%				
Independent type	STOOP2228B0Z032STD	200		2.8		85%				

•Certification : CE, KC

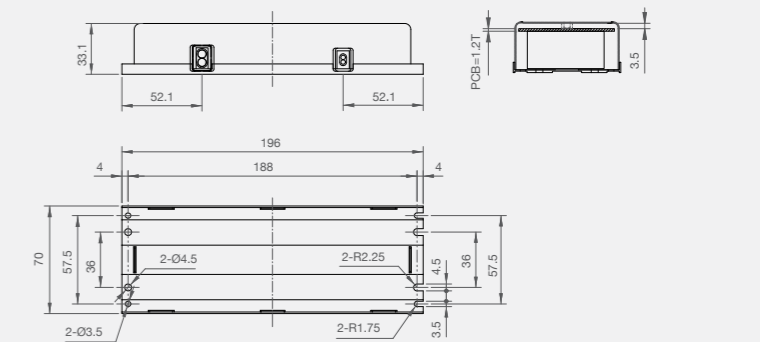
Product Size (unit : mm)

[Modular Light Engine]

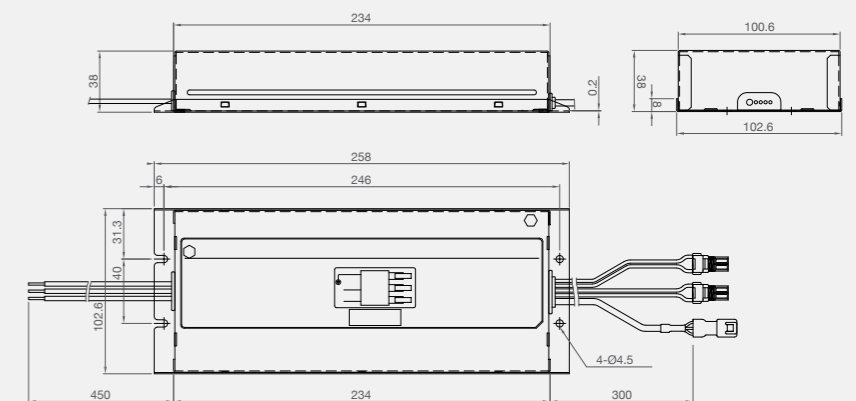


[Modular Light Engine Driver]

STOOPF17025Z032S00 / STOOPF21450Z032S00 / STOOPF22175Z032S00

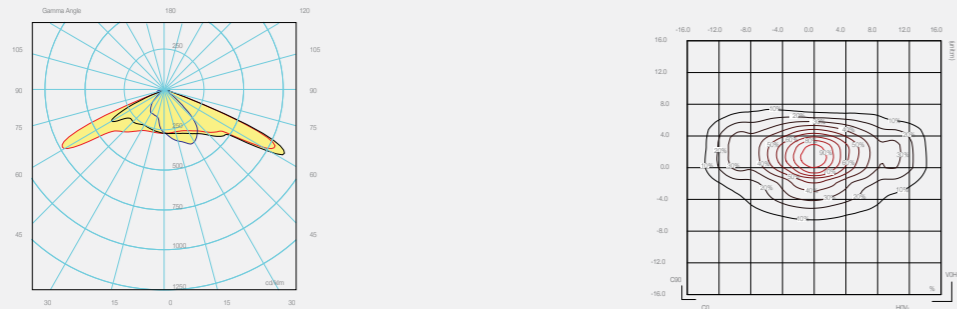


STOOPF214A0Z032S00 / STOOPF214A0Z032S01 / STOOPF221A5Z032S00 / STOOPF221A5Z032S01 / STOOP2228B0Z032STD

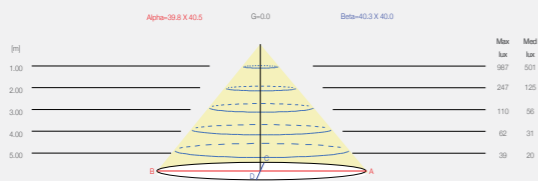
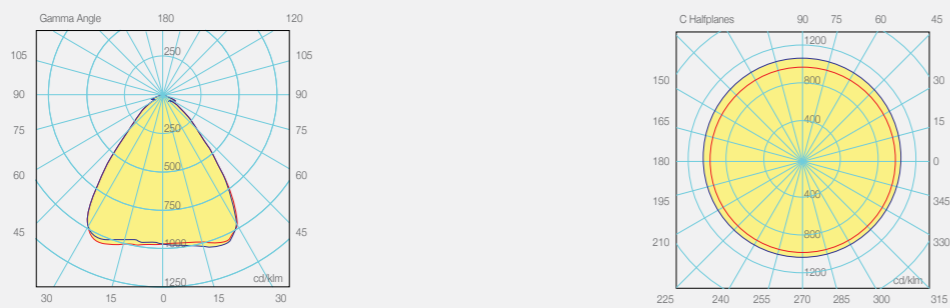


Radial Distribution / Conical Illuminance

TYPE-II / Short (I)



Beam Angle 85°



Light distribution

Array Light Engine

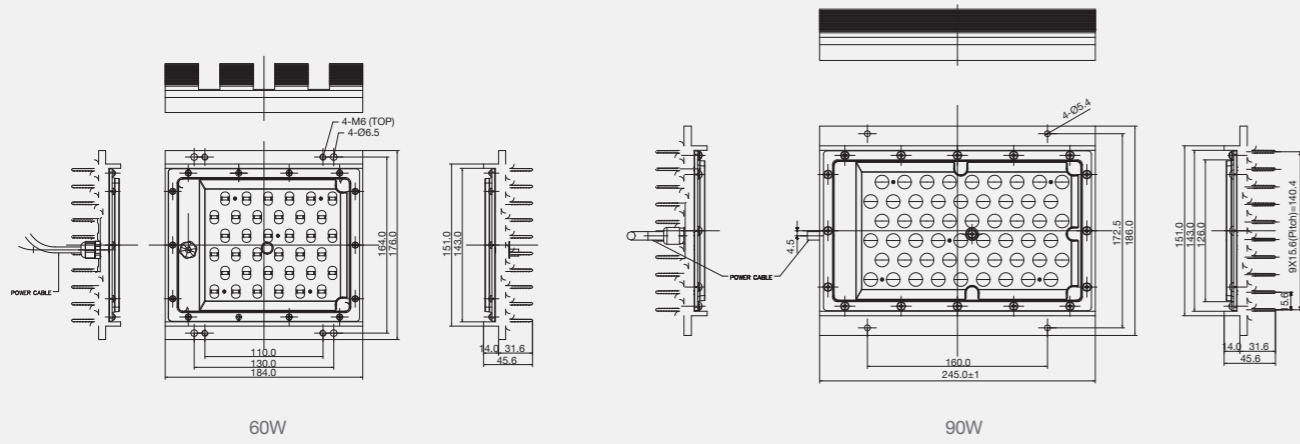
Type	Model Name	Luminous Flux (lm)	Power Consumption (W)	Efficacy (lm/W)	CRI	CCT (K)	Weight (g)	Waterproof/Dustproof Grade	Temperature Range (°C)	Power Factor
II-Short (I)	STOIMW750558I2SE31	4,500	55	82	70	5,000	1100x4	IP66	+3~+80°C	0.9
II-Short (L)	STOIMW750809I7SE31	6,800	83	82	70	5,000	1660x4	IP66	+3~+80°C	0.9
V-Medium (I)	STOIMW750558I5ME31	4,500	55	82	70	5,000	1100x4	IP66	+3~+80°C	0.9
	STOIMW750809I5ME31	6,800	83			5,000	1660x4			
BA 65 (Floodlight)	STOIMW750809I65E31	6,800				5,000	1660x4	IP66	+3~+80°C	0.9
	STOIMW750809I65A31	6,800	83	82	70	5,000	1660x4			
	STOIMW757809I65A31	6,800				5,700	1660x4			
	STOIMW757809I65E31	6,800				5,700	1660x4			
BA 120 (Floodlight)	STOIMW750809IC0E31	6,800	83	82	70	5,000	1660x4	IP66	+3~+80°C	0.9
	STOIMW757809IC0E31	6,800				5,700	1660x4			

Array Light Engine Driver

Type	Model Name	Power Consumption (W)	Size (mm)	Input Voltage (V)	Output Voltage (V)	Output Current /ch (A)	Efficiency	Channel	Dimming	Certification
Built-in Type	STOOPF19060Z058STD	60				0.9	85%			
Built-in Type	STOOPF21390Z058STD	90	196x70x33.1	100~240	52.0~64.0	1.35	87%	1	0 to 10	KC, CE
Independent Type	STOOPF21390Z058S02	90				1.35	87%			
Independent Type	STOOPF190A2Z058STD	120				0.9	88%			
Independent Type	STOOPF213A8Z058STD	180	258x110x38	100~240	52.0~64.0	1.35	88%	2	0 to 10	KC, CE
Built-in Type	STOOPF213A8Z058S01	180				1.35	88%			

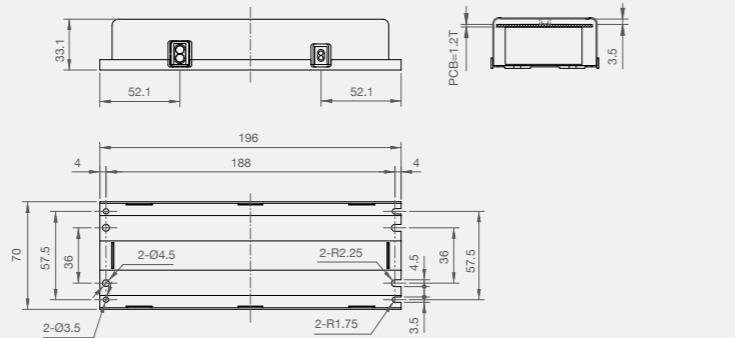
Product Size (unit : mm)

[Array Light Engine]

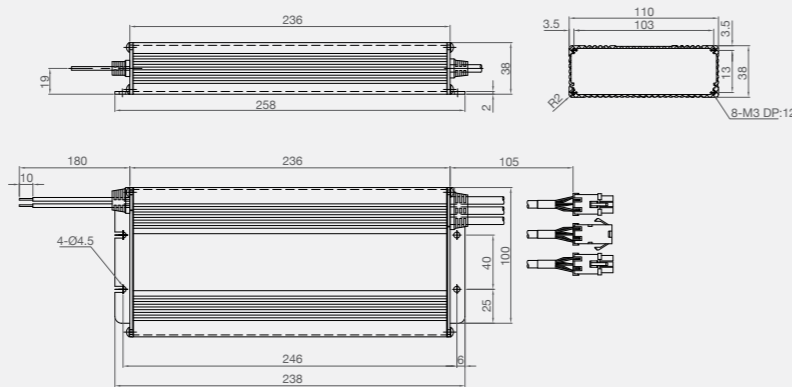


[Array Light Engine Driver]

STOOPF19060Z058STD / STOOPF21390Z058STD / STOOPF21390Z058S02

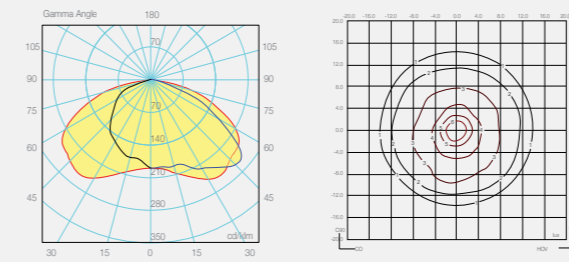


STOOPF190A2Z058STD / STOOPF213A8Z058STD / STOOPF213A8Z058S01

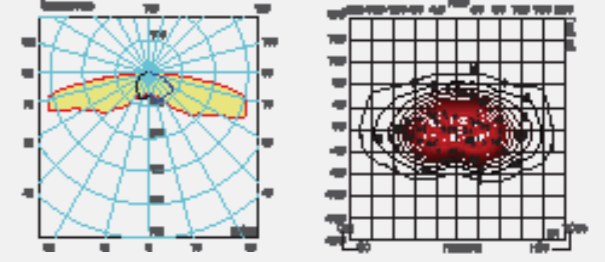


Radial Distribution / Conical Illuminance

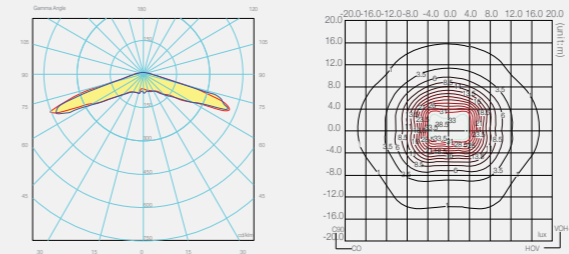
TYPE-II / Short (I)



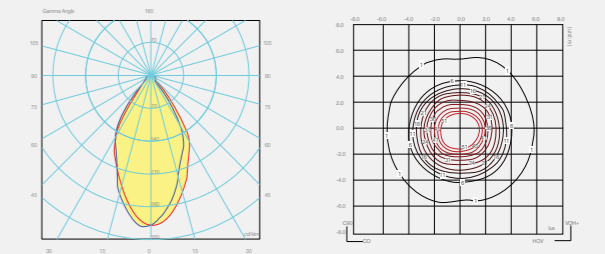
TYPE-II / Short (L)



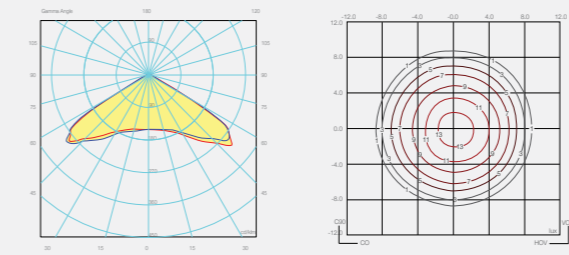
TYPE-V / Medium (I)



Beam Angle 65°



Beam Angle 120°



Full Lineup / Ambient Light Engine

Linear Type [H-series / E-series]

Type	Model Name	Luminous Flux (lm)	Power Consumption (W)	Input Voltage (V)	Efficacy (lm/W)	CRI	CCT (K)	Beam Angle (°)	Size (mm)	Temperature Range (°C)	Lifetime (hrs)	Certification
LT-H284A	SI-B8V081280WW	1,070	8.1	11.6	132	80	3000	115	280x40x6.0	-20~+70°C	50,000	ENCE, CE
	SI-B8U081280WW	1,110			135		3500					
	SI-B8T081280WW	1,140			141		4000					
	SI-B8R081280WW	1,160			143		5000					
LT-H564A	SI-B8V161560WW	2,140	16.2	23.2	132	80	3000	115	280x40x6.0	-20~+70°C	50,000	ENCE, CE
	SI-B8U161560WW	2,200			135		3500					
	SI-B8T161560WW	2,280			141		4000					
	SI-B8R161560WW	2,320			143		5000					
LT-E284A	SI-B8V082280WW	1,010	8.5	12.1	119	80	3000	115	280x40x6.0	-20~+70°C	50,000	ENCE, CE
	SI-B8U082280WW	1,040			123		3500					
	SI-B8T082280WW	1,080			128		4000					
	SI-B8R082280WW	1,090			129		5000					
LT-E564A	SI-B8V162560WW	2,020	17.0	24.3	119	80	3000	115	280x40x6.0	-20~+70°C	50,000	ENCE, CE
	SI-B8U162560WW	2,080			123		3500					
	SI-B8T162560WW	2,160			128		4000					
	SI-B8R162560WW	2,180			129		5000					

Linear Type [Z-series]

Type	Model Name	Luminous Flux (lm)	Power Consumption (W)	Input Voltage (V)	Efficacy (lm/W)	CRI	CCT (K)	Beam Angle (°)	Size (mm)	Temperature Range (°C)	Lifetime (hrs)	Certification
LT-Z282A	STIFMW8300601POLIN	650	5.4	23.1	121	80	3000	115	280x24x5.95	-20~+60°C	50,000	CE
	STIFMW8350601POLIN	670			124		3500					
	STIFMW8400601POLIN	680			126		4000					
	STIFMW8500601POLIN	700			130		5000					
	STIFMW8301002POLIN	1,060			115		3000					
LT-Z284A	STIFMW8351002POLIN	1,080	9.2	23.8	118	80	3500	115	280x40x5.95	-20~+60°C	50,000	CE
	STIFMW8401002POLIN	1,100			120		4000					
	STIFMW8501002POLIN	1,140			124		5000					
	STIFMW8301003POLIN	1,060			115		3000					
	STIFMW8351003POLIN	1,080			118		3500					
LT-Z284B	STIFMW8401003POLIN	1,100	9.2	23.8	120	80	4000	115	280x40x5.95	-20~+60°C	50,000	CE
	STIFMW8501003POLIN	1,140			124		5000					
	STIFMW8301904POLIN	2,100			115		3000					
	STIFMW8351904POLIN	2,140			117		3500					
	STIFMW8401904POLIN	2,190			119		4000					
LT-Z286A	STIFMW8501904POLIN	2,250	18.3	23.8	123	80	5000	115	280x41.6x5.95	-20~+60°C	50,000	CE
	STIFMW8301905POLIN	2,100			115		3000					
	STIFMW8351905POLIN	2,150			118		3500					
	STIFMW8401905POLIN	2,200			120		4000					
	STIFMW8501905POLIN	2,270			124		5000					

Finger Type

Type	Model Name	Luminous Flux (lm)	Power Consumption (W)	Input Voltage (V)	Efficacy (lm/W)	CRI	CCT (K)	Beam Angle (°)	Size (mm)	Temperature Range (°C)	Lifetime (hrs)	Certification
LAM-SQ32C	SI-B8T091260WW	1,270	9.2	24	137	80	4000	145	259x250x6.7	-20~+50°C	50,000	-
	SI-B8R091260WW	1,310			142		5000					
	SI-B8P091260WW	1,270			137		6500					
LAM-SQ32D	SI-B8T092260WW	1,270	9.2	24	137	80	4000	145	259x250x6.7	-20~+50°C	50,000	-
	SI-B8R092260WW	1,310			142		5000					
	SI-B8P092260WW	1,270			137		6500					
LAM-RT32C	SI-B8T091280WW	1,270	9.2	24	137	80	4000	145	216x273x6.7	-20~+50°C	50,000	-
	SI-B8R091280WW	1,310			142		5000					
	SI-B8P091280WW	1,270			137		6500					
LAM-RT32D	SI-B8T092280WW	1,270	9.2	24	137	80	4000	145	216x273x6.7	-20~+50°C	50,000	-
	SI-B8R092280WW	1,310			142		5000					
	SI-B8P092280WW	1,270			137		6500					
Finger-SQ64B	SI-B8V101250WW	1,150	8.1	11.6	142	80	3000	115	259x250x6.0	-20~+60°C	50,000	ENCE, CE
	SI-B8U101250WW	1,170			144		3500					
	SI-B8T101250WW	1,230			151		4000					
	SI-B8R101250WW	1,250			154		5000					
Finger-RT64B	SI-B8P101250WW	1,170	8.1	11.6	144	80	6500	115	230x273x6.0	-20~+60°C	50,000	ENCE, CE
	SI-B8V101280WW	1,150			142		3000					
	SI-B8U101280WW	1,170			144		3500					
	SI-B8T101280WW	1,230			151		4000					
Finger-SQ32A PO	SI-B8R101280WW	1,250	9.2	24.0	154	80	5000	120	250x250x1.6	-20~+60°C	50,000	CE, UL
	SI-B8P101280WW	1,170			144		6500					
	STIFMW8304501POSEP	1,050			114		3000					
	STIFMW8354501POSEP	1,070			116		3500					
	STIFMW8404501POSEP	1,090			119		4000					
Finger-SQ32A PU	STIFMW8504501POSEP	1,130	9.2	24.0	122	80	5000	120	250x250x1.6	-20~+60°C	50,000	CE, UL
	STIFMW8654501POSEP	1,120			121		6500					
	STIFMW8304501PUSEP	1,050			114		3000					
	STIFMW8354501PUSEP	1,070			116		3500					
	STIFMW8404501PUSEP	1,090			119		4000					
Finger-RT32A PO	STIFMW8504501PUSEP	1,130	9.2	24.0	122	80	5000	120	216x280x1.6	-20~+60°C	50,000	CE, UL
	STIFMW8654501PUSEP	1,120			121		6500					
	STIFMW8304502POSEP	1,050			114		3000					
	STIFMW8354502POSEP	1,070			116		3500					
	STIFMW8404502POSEP	1,090			119		4000					
Finger-RT32A PU	STIFMW8504502POSEP	1,130	9.2	24.0	122	80	5000	120	216x280x1.6	-20~+60°C	50,000	CE, UL
	STIFMW8654502POSEP	1,120			121		6500					
	STIFMW8304502PUSEP	1,050			114		3000					
	STIFMW8354502PUSEP	1,070			116		3500					
	STIFMW8404502PUSEP	1,090			119		4000					

• C/D: They are different location of the connector
 • PO : Poke-in type PCB Connector / PU : Plug-in type PCB Connector

Full Lineup / Ambient Light Engine

Tile Type

Type	Model Name	Luminous Flux (lm)	Power Consumption (W)	Input Voltage (V)	Efficacy (lm/W)	CRI	CCT (K)	Beam Angle (°)	Size (mm)	Temperature Range (°C)	Lifetime (hrs)	Certification
Tile-SQ32A PO	STIFMW8304501POSQU	1,050			114		3000					
	STIFMW8354501POSQU	1,070			116		3500					
	STIFMW8404501POSQU	1,090	9.2	24.0	119	80	4000	120	250x250x1.6	-20~+60°C	50,000	CE, UL
	STIFMW8504501POSQU	1,130			122		5000					
	STIFMW8654501POSQU	1,120			121		6500					
Tile-RT32A PO	STIFMW8304502POSQU	1,050			114		3000					
	STIFMW8354502POSQU	1,070			116		3500					
	STIFMW8404502POSQU	1,090	9.2	24.0	119	80	4000	120	216x280x1.6	-20~+60°C	50,000	CE, UL
	STIFMW8504502POSQU	1,130			122		5000					
	STIFMW8654502POSQU	1,120			121		6500					
Tile-SQ32A PU	STIFMW8304501PUSQU	1,050			114		3000					
	STIFMW8354501PUSQU	1,070			116		3500					
	STIFMW8404501PUSQU	1,090	9.2	24.0	119	80	4000	120	250x250x1.6	-20~+60°C	50,000	CE, UL
	STIFMW8504501PUSQU	1,130			122		5000					
	STIFMW8654501PUSQU	1,120			121		6500					
Tile-RT32A PU	STIFMW8304502PUSQU	1,050			114		3000					
	STIFMW8354502PUSQU	1,070			116		3500					
	STIFMW8404502PUSQU	1,090	9.2	24.0	119	80	4000	120	216x280x1.6	-20~+60°C	50,000	CE, UL
	STIFMW8504502PUSQU	1,130			122		5000					
	STIFMW8654502PUSQU	1,120			121		6500					

• PO : Poke-in type PCB Connector / PU : Plug-in type PCB Connector

Ambient Engine Driver

Model Name	Power Consumption (W)	Size (mm)	Input Voltage (V)	Output Voltage (V)	Output Current/ch (A)	Efficiency	THD	Channel	Dimming	Certification
STIFP227040DL24AAA	35/40/45	280x40x21	220~240	20.0~31.0	0.63/0.7/0.77	85%	<20%	2	DALI	VDE, CE, ENEC
STIFP227040ZD24AAA	35/40/45	280x40x21	220~240	20.0~31.0	0.63/0.7/0.77	85%	<20%	2	0 to 10	VDE, CE, ENEC
STIFP218750N024EUR	35/40/45/50	212x41x30.5	220~240	20.0~31.0	0.63/0.7/0.77/0.84	87%	<15%	2	Non Dimming	VDE, CE, ENEC

Full Lineup / Downlight Engine

Downlight Engine

Type	Model Name	Luminous Flux (lm)	Power Consumption (W)	Input Voltage (V)	Efficacy (lm/W)	CRI	CCT (K)	Beam Angle (°)	Size (mm)	Weight (g)	Temperature Range (°C)	Lifetime (hrs)	Certification
Round-62B	STIDMW830042112AAA	450			107		3000						
	STIDMW840042112AAA	510	4.2	12	121	80	4000	115	Φ62x5.7	11	-30~+50°C	50,000	CE
Round-90B	STIDMW830082112AAA	905			108		3000						
	STIDMW840082112AAA	1,030	8.4	24	123	80	4000	115	Φ90x5.7	23	-30~+50°C	50,000	CE
Round-130B	STIDMW830112112AAA	1,240			107		3000						
	STIDMW840112112AAA	1,390	11.6	33	120	80	4000	115	Φ130x5.7	35	-30~+50°C	50,000	CE

Full Lineup / Outdoor Engine

Modular Light Engine

Type	Model Name	Luminous Flux (lm)	Power Consumption (W)	Efficacy (lm/W)	CRI	CCT (K)	Weight (g)	Waterproof/Dustproof Grade	Temperature Range (°C)	Power Factor
II-Short (I)	STOPMW830250V2SE31	1,450		67	80	3000				
	STOPMW840250V2SE31	1,500	21.5	70	80	4000	280x12	IP66	-30~+70°C	0.9
	STOPMW757252V2SE31	1,900		88	70	5000				
II-Medium (I)	STOPMWD50252V2ME31	1,900	21.5	84	70	5000	280x12	IP66	-30~+70°C	0.9
BA 85 (Floodlight)	STOPMW840250V85E31	1,500		70	80	4000	280x12	-	-30~+70°C	0.9
	STOPMW757252V85E31	1,900	21.5	93	70	5000				

Modular Light Engine Driver

Type	Model Name	Power Consumption (W)	Size (mm)	Input Voltage (V)	Output Voltage (V)	Output Current /ch (A)	Efficiency	THD	Channel	Classification
Independent type	STOOPF17025Z032S00	25		100~240		0.7	75%			
Independent type	STOOPF21450Z032S00	50	196x70x33.1	100~240	28.0~34.0	1.4	85%	<20%	1	Class II
Independent type	STOOPF22175Z032S00	75		100~240		2.1	85%			
Independent type	STOOPF214A0Z032S00	100		100~240		1.4	85%			
Built-in type	STOOPF214A0Z032S01	100		100~240		1.4	85%			
Independent type	STOOPF221A5Z032S00	150	258x102.6x38.0	100~240	28.0~36.0	2.1	85%	<20%	2	Class I
Built-in type	STOOPF221A5Z032S01	150		100~240		2.1	85%			
Independent type	STOOP2228B0Z032STD	200		200~240		2.8	85%			

•Certification : CE, KC

Array Light Engine

Type	Model Name	Luminous Flux (lm)	Power Consumption (W)	Efficacy (lm/W)	CRI	CCT (K)	Weight (g)	Waterproof/Dustproof Grade	Temperature Range (°C)	Power Factor
II-Short (I)	STOIMW750558I2SE31	4,500	55	82	70	5,000	1100x4	IP66	+3~+80°C	0.9
II-Short (L)	STOIMW750809I7SE31	6,800	83	82	70	5,000	1660x4	IP66	+3~+80°C	0.9
V-Medium (I)	STOIMW750558I5ME31	4,500	55	82	70	5,000	1100x4	IP66	+3~+80°C	0.9
	STOIMW750809I5ME31	6,800	83			5,000	1660x4			
BA 65 (Floodlight)	STOIMW750809I65E31	6,800				5,000	1660x4	IP66	+3~+80°C	0.9
	STOIMW750809I65A31	6,800	83	82	70	5,000	1660x4			
	STOIMW757809I65A31	6,800				5,700	1660x4			
	STOIMW757809I65E31	6,800				5,700	1660x4			
BA 120 (Floodlight)	STOIMW750809IC0E31	6,800				5,000	1660x4	IP66	+3~+80°C	0.9
	STOIMW757809IC0E31	6,800	83	82	70	5,700	1660x4			

Array Light Engine Driver

Type	Model Name	Power Consumption (W)	Size (mm)	Input Voltage (V)	Output Voltage (V)	Output Current /ch (A)	Efficiency	Channel	Dimming	Certification
Built-in Type	STOOPF19060Z058STD	60				0.9	85%			
Built-in Type	STOOPF21390Z058STD	90	196x70x33.1	100~240	52.0~64.0	1.35	87%	1	0 to 10	KC, CE
Independent Type	STOOPF21390Z058S02	90				1.35	87%			
Independent Type	STOOPF190A2Z058STD	120				0.9	88%			
Independent Type	STOOPF213A8Z058STD	180	258x110x38	100~240	52.0~64.0	1.35	88%	2	0 to 10	KC, CE
Built-in Type	STOOPF213A8Z058S01	180				1.35	88%			