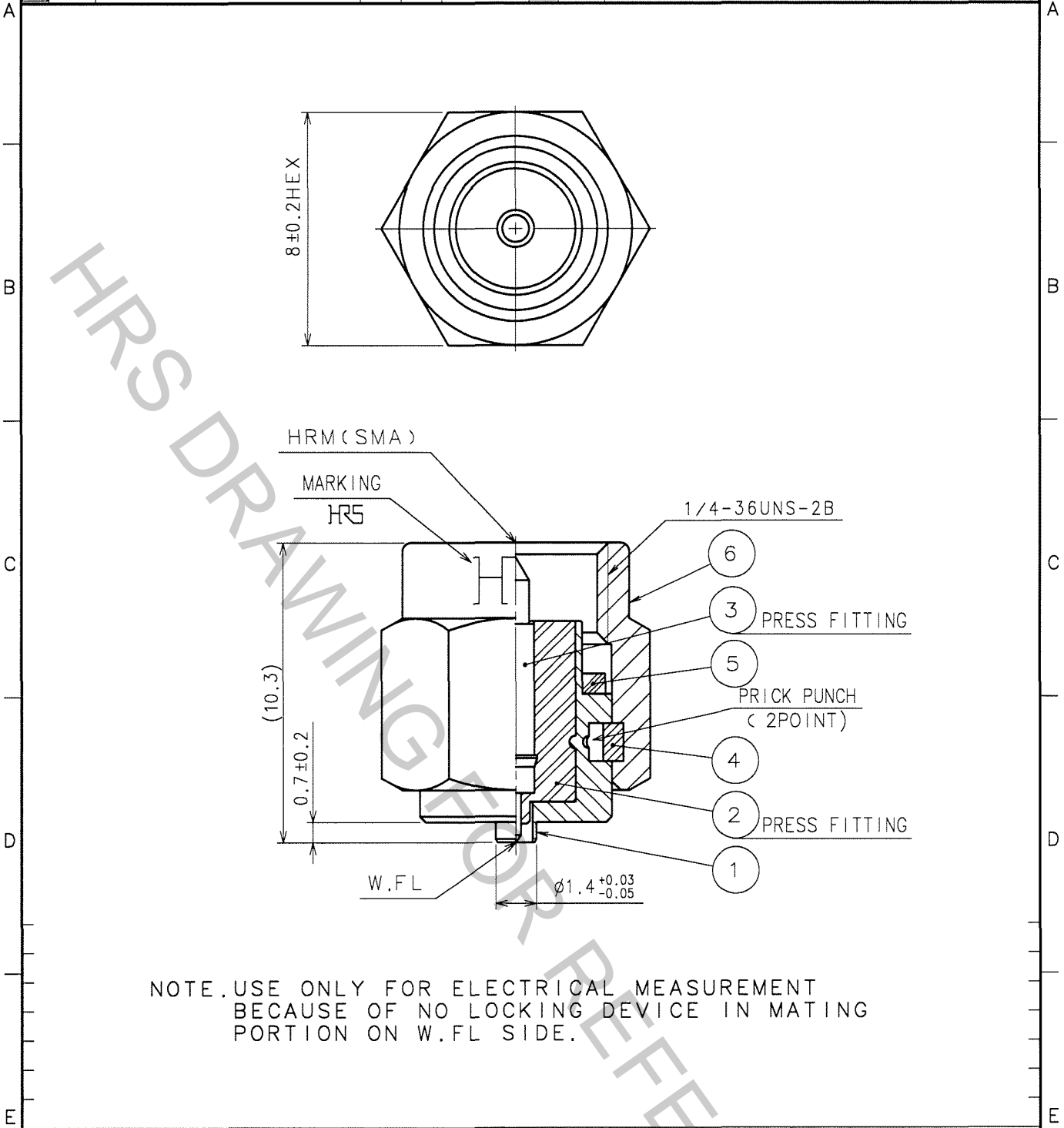


1	2			3			4		
COUNT	DESCRIPTION OF REVISIONS	BY	CHKD	DATE	COUNT	DESCRIPTION OF REVISIONS	BY	CHKD	DATE
△					△				. .
△					△				. .
△					△				. .



NOTE. USE ONLY FOR ELECTRICAL MEASUREMENT
BECAUSE OF NO LOCKING DEVICE IN MATING
PORTION ON W.F.L SIDE.

3	PHOSPHOR BRONZE	GOLD PLATING	6	STAINLESS STEEL	PASSIVATE
2	PTFE		5	SILICONE RUBBER	(RED)
1	STAINLESS STEEL	NICKEL PLATING	4	BERYLLIUM COPPER	NICKEL PLATING
NO.	MATERIAL	FINISH, REMARKS	NO.	MATERIAL	FINISH, REMARKS

CODE NO. (OLD) CL	DRAWN h. Ninomiya '06.03.24	DESIGNED h. Ninomiya '06.03.24	CHECKED m. yamane '06.03.24	APPROVED S. Mitani '06.03.24	RELEASED
RoHS COMPLIANT					

TO
RF

SACLE 5 : 1 UNITS mm	DRAWING NO. EDC4-300217-40	PART NO. HRMP-W.FLJ(40)
	HRS HIROSE ELECTRIC CO., LTD.	CODE NO. CL311-0367-3-40