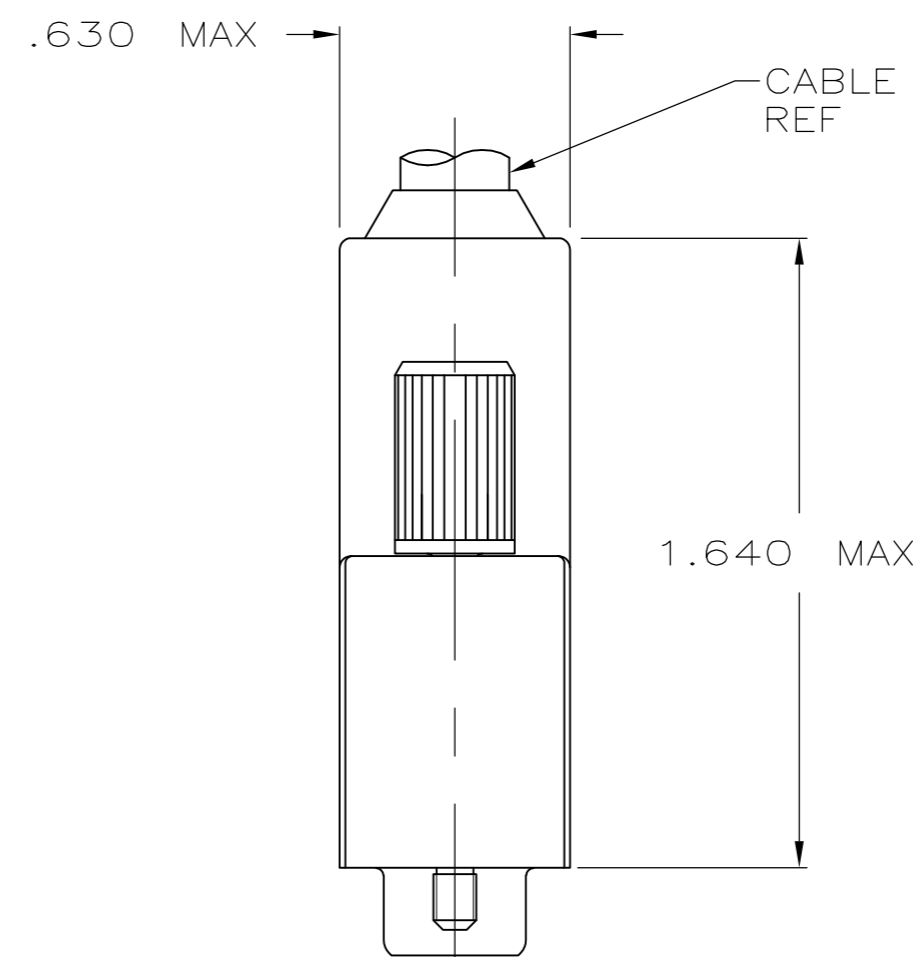
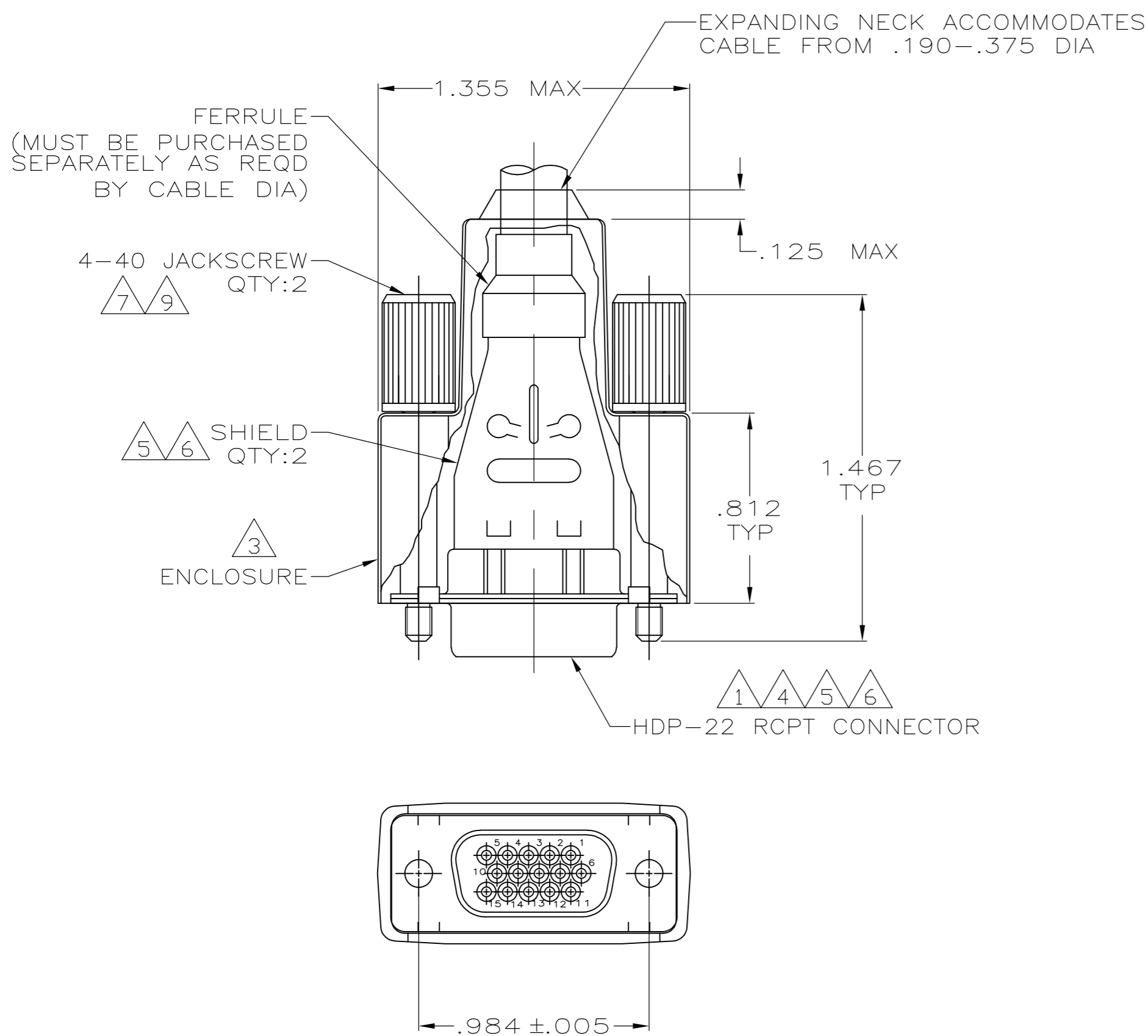


THIS DRAWING IS UNPUBLISHED. RELEASED FOR PUBLICATION
 © COPYRIGHT - By - ALL RIGHTS RESERVED.

LOC	DIST	REVISIONS			
P	LTR	DESCRIPTION	DATE	DWN	APVD
GP	00	C	REVISED PER ECO-11-019152	25OCT2011	CJV CWR

- 1 RECEPTACLE ACCEPTS 22 DF SOCKET CONTACTS PURCHASED SEPARATELY.
- 2 ALL PARTS SHIPPED UNASSEMBLED.
- 3 FLAME RETARDANT 94V-0 RATED, STYRENE POLYOLEFIN OR PVC, BLACK.
- 4 FLAME RETARDANT 94V-0 RATED GLASS FILLED, NYLON OR POLYESTER, BLACK.
- 5 CARBON STEEL.
- 6 .000200 MIN. TIN PLATE OVER .000200 MIN. COPPER UNDERPLATE.
- 7 ELECTRODEPOSITED POLYURETHANE, BLACK.
- 8 COMPONENTS INDIVIDUALLY BULK PACKED.
- 9 ZINC ALLOY.



8	W/ LOGOS	1658688-1
PACKAGING	REMARKS	PART NUMBER

THIS DRAWING IS A CONTROLLED DOCUMENT.		DWN L. BAUM 02JAN04	TE TE Connectivity	
DIMENSIONS: INCHES		CHK S. BOLASH 02JAN04		
TOLERANCES UNLESS OTHERWISE SPECIFIED:		APVD M. WALMSLEY 02JAN04	NAME	
0 PLC ± -		PRODUCT SPEC	SHIELDING ENCLOSURE KIT, RCPT, SIZE 1, 15 POSN, HDP-22, AMPLIMITE™	
1 PLC ± -		APPLICATION SPEC	SIZE CAGE CODE DRAWING NO RESTRICTED TO	
2 PLC ± -		108-1268	A2 00779 C=1658688	
3 PLC ± .005		114-10001	SCALE 2:1 SHEET 1 of 1 REV C	
4 PLC ± -		WEIGHT -		
ANGLES ± 2°		CUSTOMER DRAWING		
FINISH				