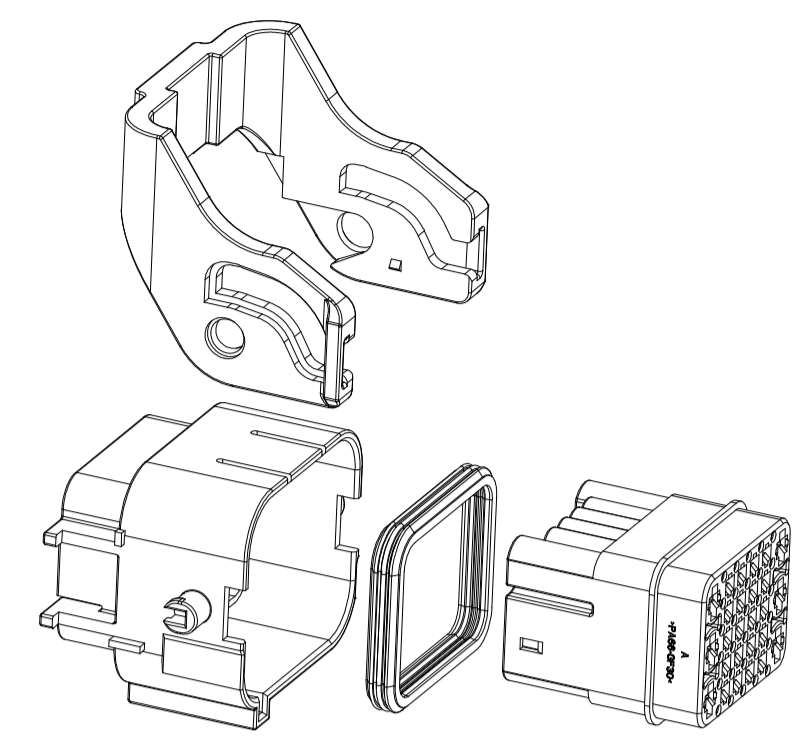
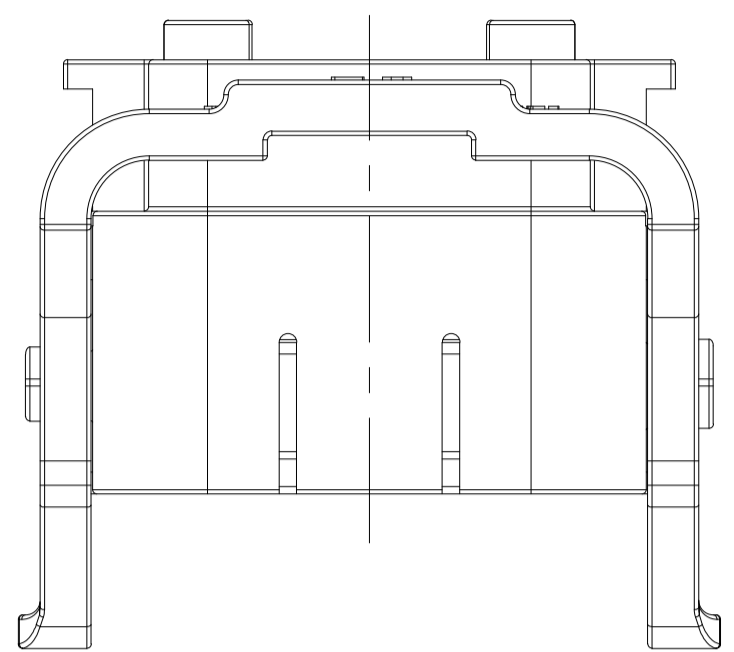
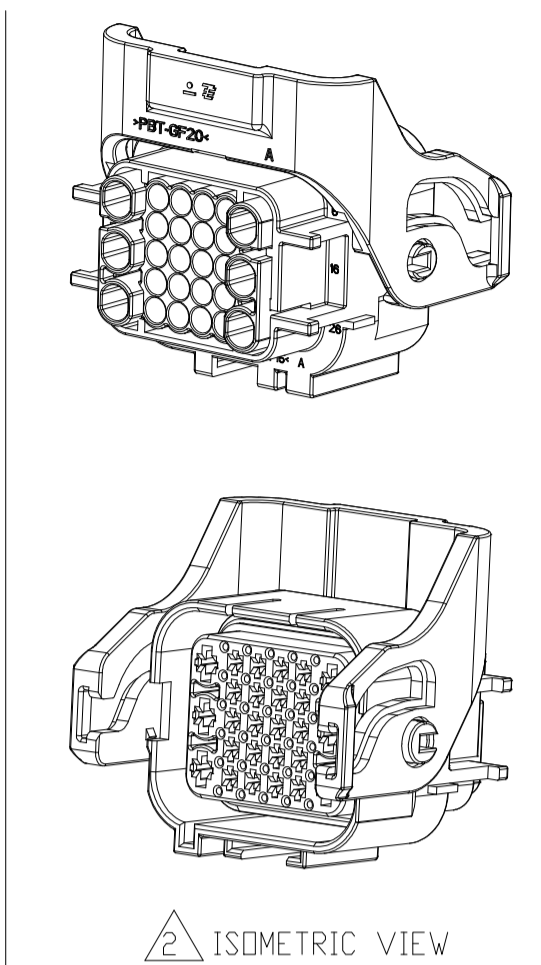
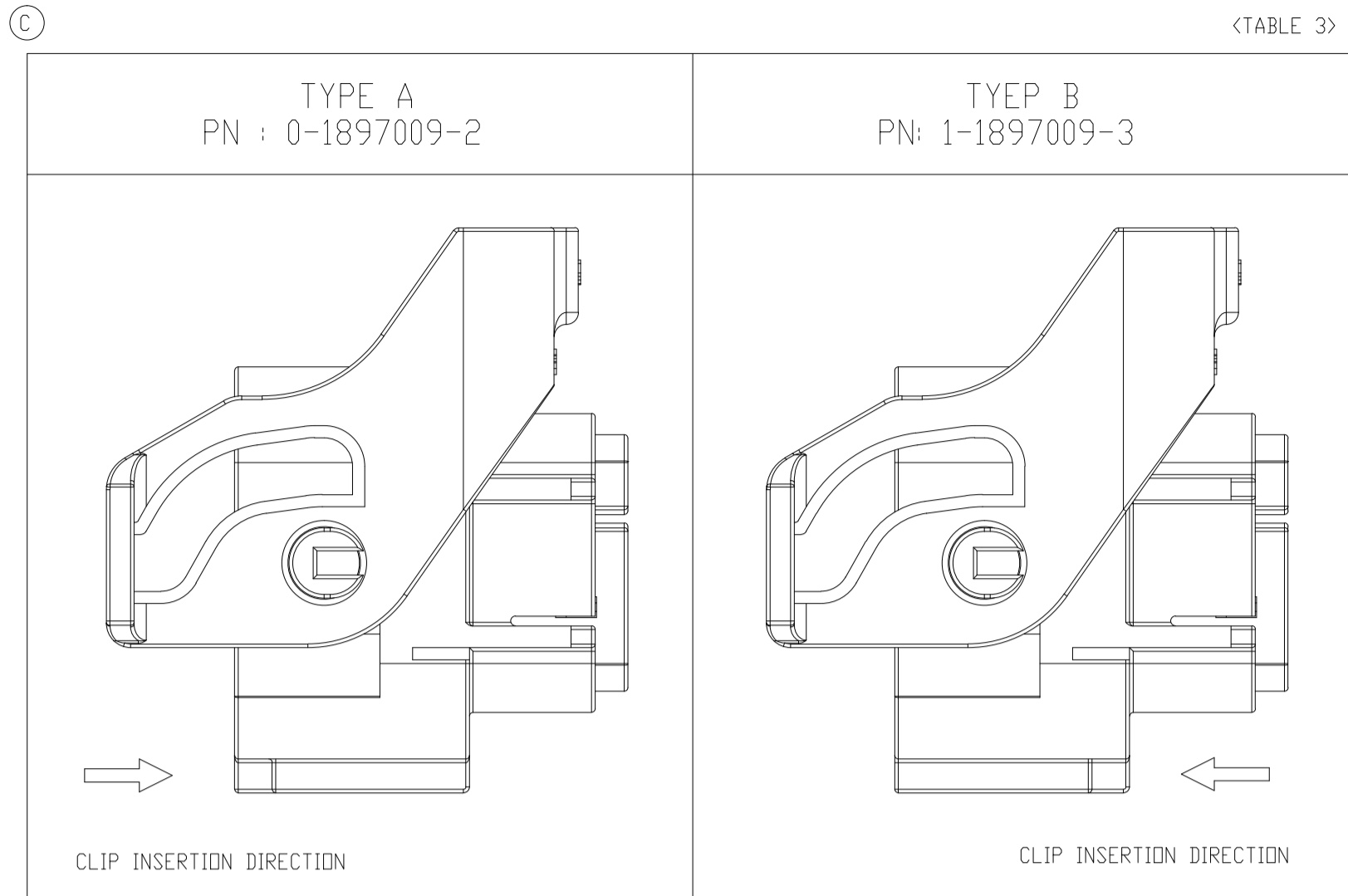


REVISIONS				
P	CTR	DESCRIPTION	DATE	BYN / APV'D
	C	REVISED (ECR-16-009958)	30DEC2016	SJ / JW



3D EXPLODE VIEW (SCALE 1:1)



ISOMETRIC VIEW

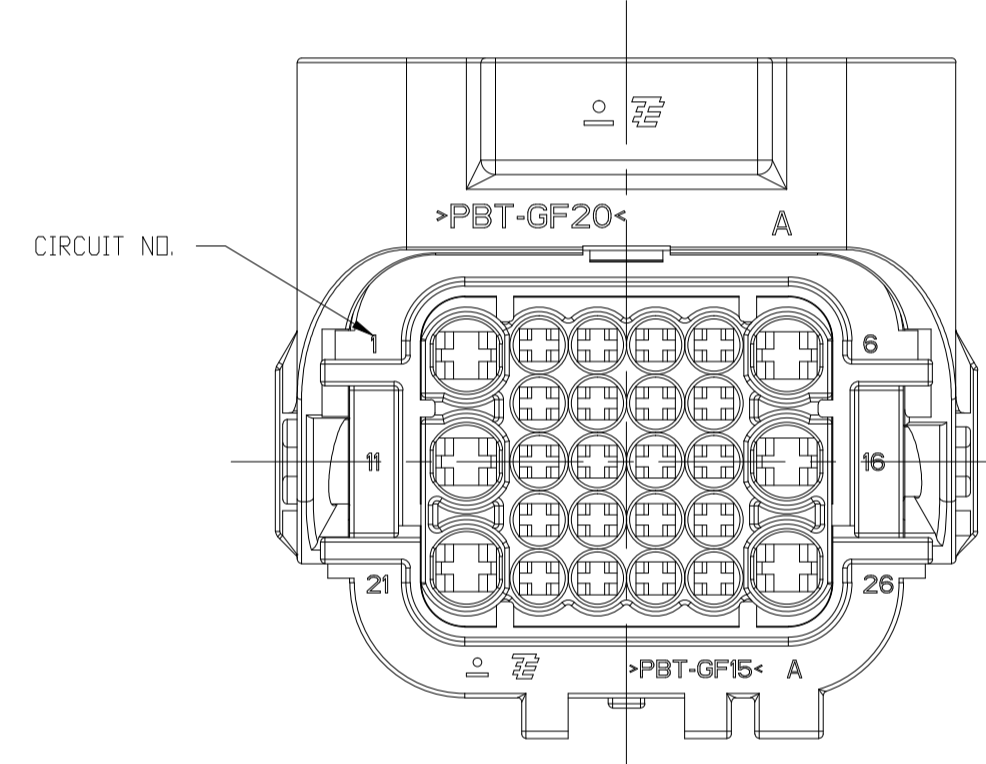
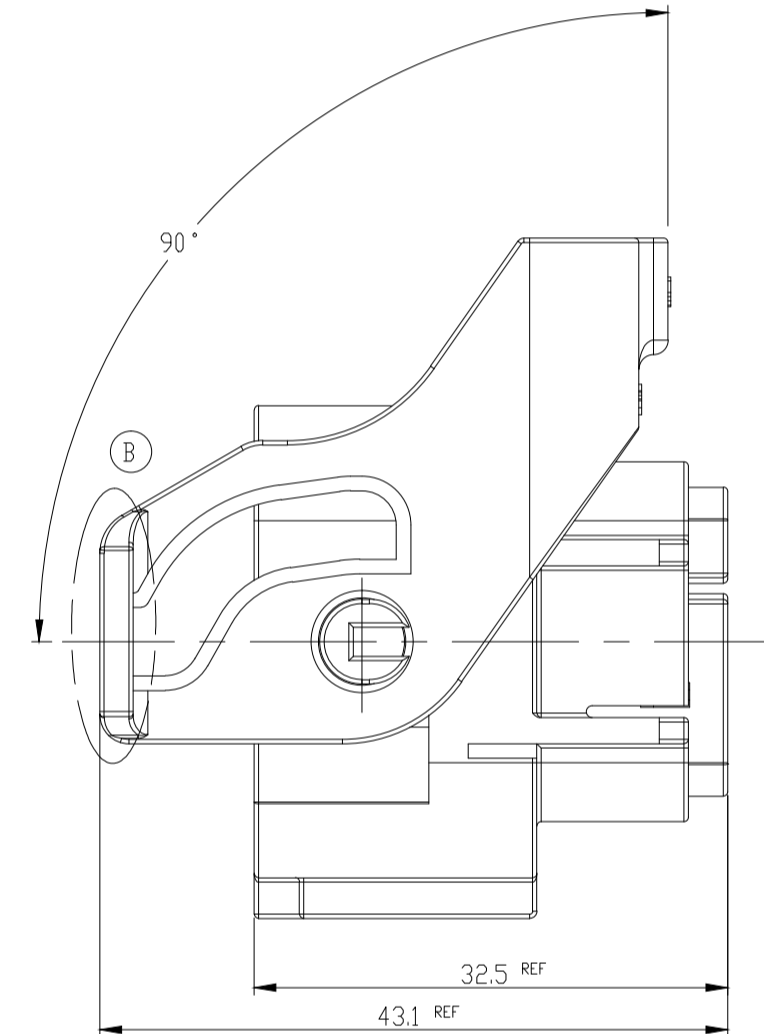
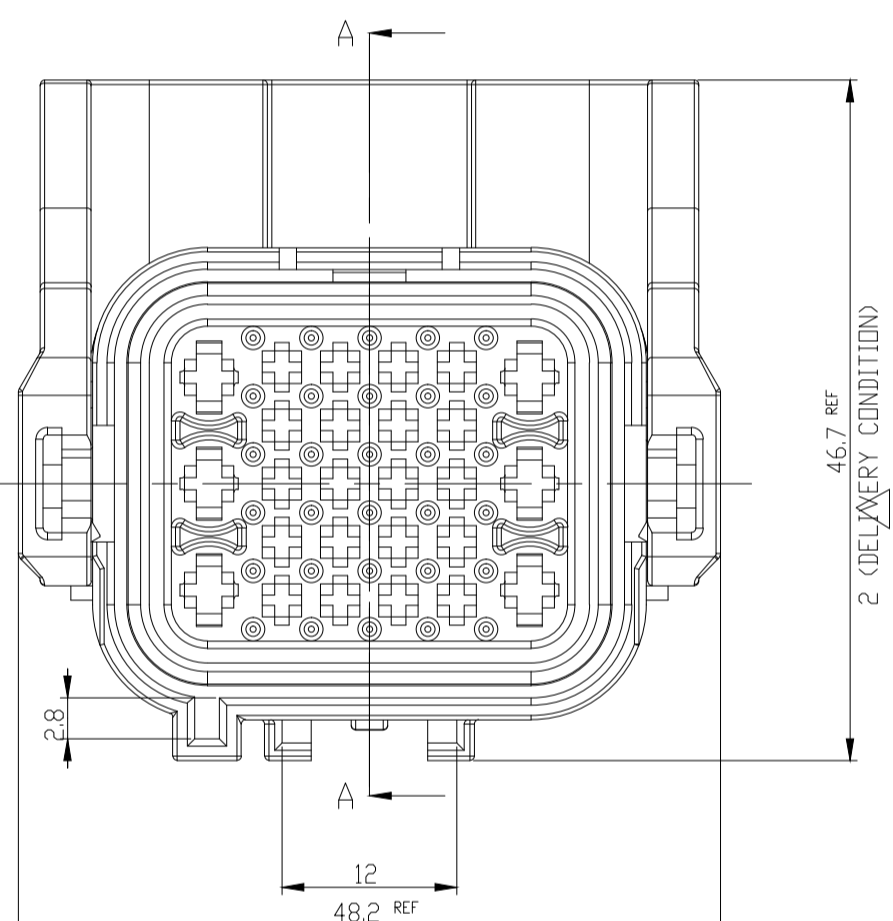


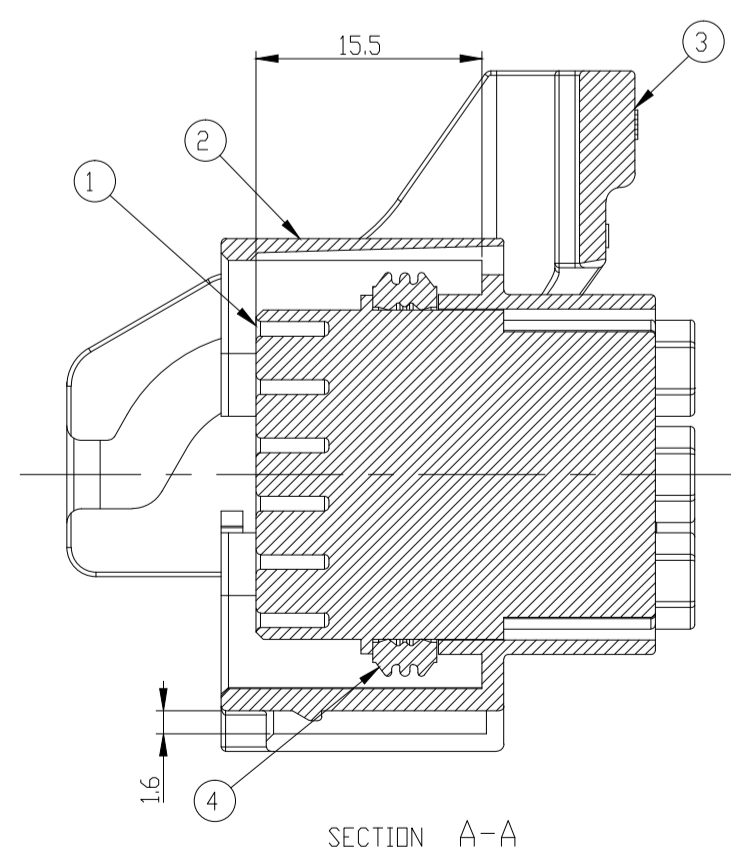
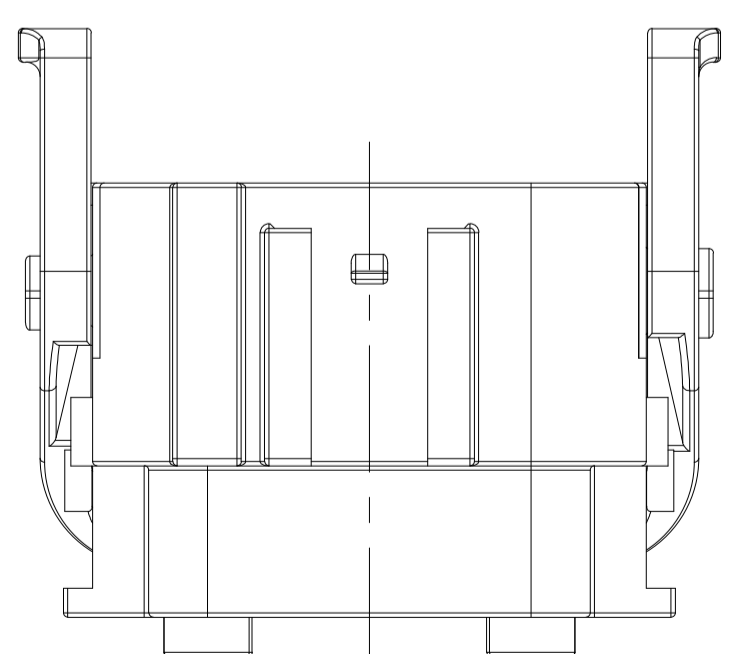
TABLE 1

TYPE	PART NO.	WIRE SIZE(mm ²)	Insulation DIA(mm)	Applicable WIRE(Reference)	FINISH
MTII	0-962875-1	0.2-0.5	1.2-1.6	AVSSXF 0.5 Max	CuSn4
	0-962875-3				CuSn4(GOLD)
	0-962876-1	0.5-1.0	1.4-2.1	AVSSXF 0.85 Max	CuSn4
	0-962876-3				CuSn4(GOLD)
JPT	0-927770-3	0.5-1.0	1.4-2.1	FLK 1.0 Max	CuSn4
	2-927770-1				CuSn4(GOLD)
	0-927766-3	1.0-2.5	2.2-3.0	AVSS 2.0 Max or FLR 2.5 Max	CuSn4
	2-927766-1				CuSn4(GOLD)

TABLE 2

TYPE	PART NO.	WIRE INSULATION DIAMETER(mm)	COLOR
MTII	964971-1	1.2-1.6	RED
	963530-1	1.4-1.9	GRAY
	964972-1	1.9-2.1	YELLOW
	963531-1	CAVITY PLUG	WHITE
JPT	828904-2	1.2-2.1	BLUE
	828905-1	2.2-3.0	WHITE
	828922-1	CAVITY PLUG	NATURAL

- NOTE
- GENERAL TOLERANCE: ± 0.3 , $\pm 3^\circ$
 - DELIVERY CONDITION
 - APPLIED CAP P/N: X-1897013-X
APPLIED WIRE COVER P/N: X-1897014-X
 - APPLICABLE RECEPTACLE CONTACT P/N: TABLE 1
 - APPLICABLE WIRE SEAL P/N: TABLE 2
 - CLIP INSERTION DIRECTION: TABLE 3



SECTION A-A

NO	DESCRIPTION	MATERIAL	COLOR	QTY
4	INNER SEAL	SILICONE	RED ORANGE	1
3	LEVER HSG	PBT-GF20	GRAY	1
2	MAIN PLUG HSG - TYPE B	PBT-GF15	GRAY	-
2	MAIN PLUG HSG - TYPE A	PBT-GF15	BLACK	1
1	FRONT PLUG HSG	PA66-GF30	BLACK	1

THIS DRAWING IS A CONTROLLED DOCUMENT.

DWN: S.J. CHOI
CHK: S.J. CHOI
APV'D: J.W. JUNG
PRODUCT SPEC

NAME: PLUG ASSY FOR MTII JPT SLD 26P

SIZE: A1 CAGE CODE: 00779 DRAWING NO: C=1897009

WEIGHT: CUSTOMER DRAWING SCALE: 2:1 SHEET: 1 OF 1 REV: C