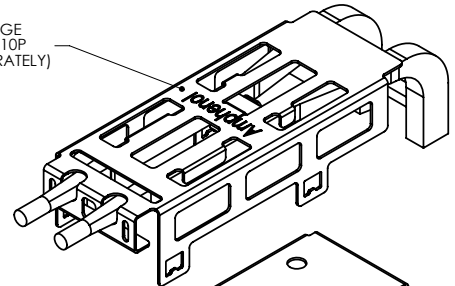


8 7 6 5 4 3 2 1

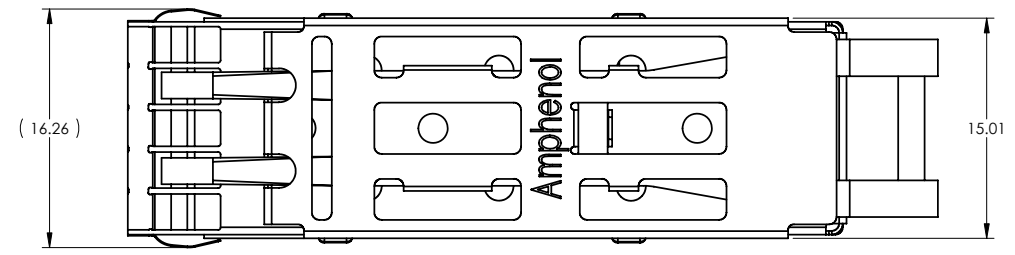
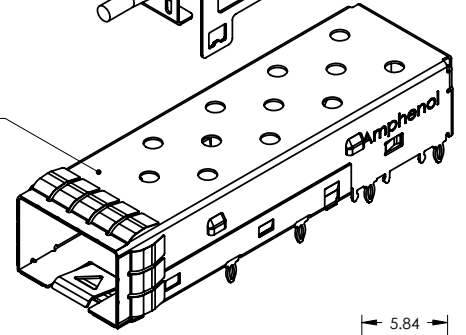
REVISIONS			
REV	DESCRIPTION	DATE	APPRD
A	PROPOSAL	AUG06/09	
B	PLATING OPTION CONFIGURATION	AUG17/09	



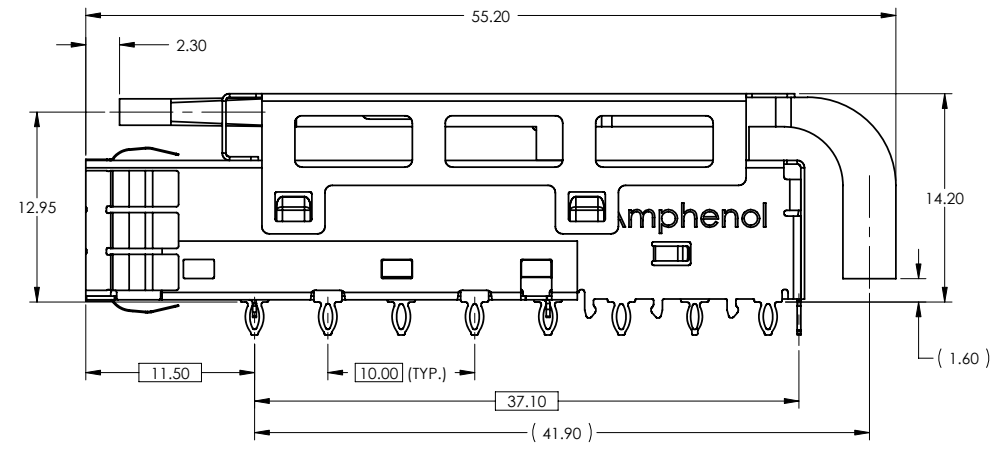
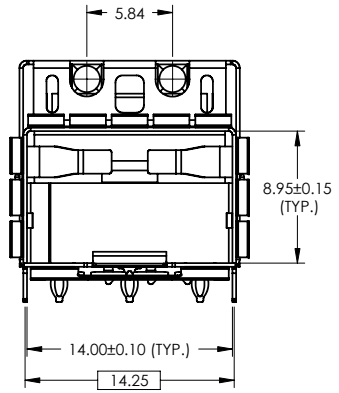
SFP+ PRESS FIT CAGE
(P/N: U77-1163-2010P
IF ORDERED SEPERATELY)



SFP+ PRESS FIT CAGE
(P/N: U77-A1639-X001
IF ORDERED SEPERATELY)



MATERIAL:
CAGE: COPPER ALLOY.
PLATING:
PLATING OPTION 2: 2.54 μm [100 μi] NICKEL PLATING.
PLATING OPTION 3: 2.54 - 7.62 μm [100 - 300 μi] MATTE TIN PLATING OVER 1.27 μm [50 μi] NICKEL.
LIGHT PIPE: CLEAR POLYCARBONATE.
LIGHT PIPE BRACKET: STAINLESS STEEL.
PACKAGING: TRAY PACKAGING.
TEMPERATURE RANGE: -40°C TO 85°C.



AMPHENOL PART NUMBER CONFIGURATION

U77-C1619-X001

CAGE PLATING:
2 = NICKEL
3 = MATTE TIN

PACKAGING:
1 = TRAY PACKAGING

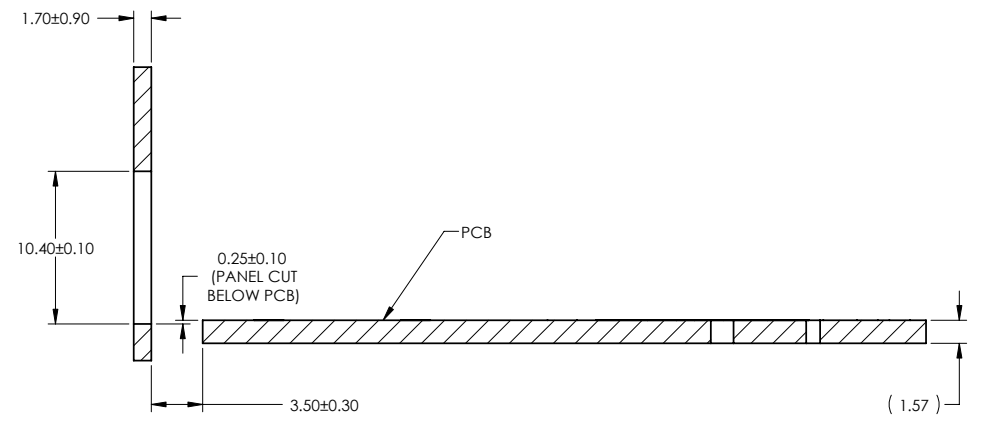
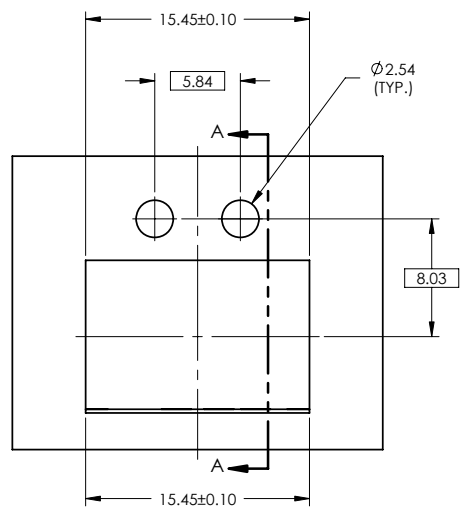
DO NOT SCALE DRAWING

THIS DOCUMENT CONTAINS PROPRIETARY INFORMATION AND SUCH INFORMATION MAY NOT BE DISCLOSED TO OTHERS FOR ANY PURPOSE OR USED FOR MANUFACTURING PUPOSES WITHOUT PERMISSION FROM AMPHENOL CANADA CORP.

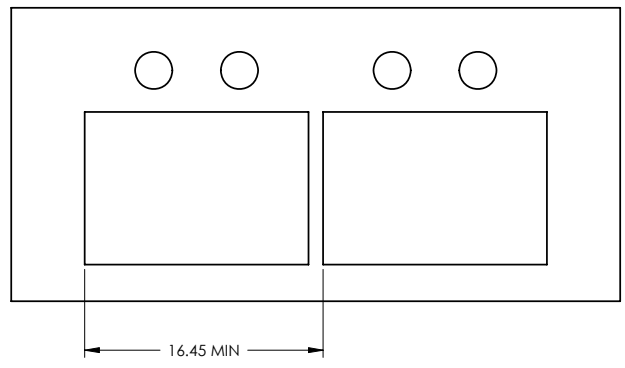
UNLESS OTHERWISE SPECIFIED DIMENSIONS ARE IN MILLIMETERS TOLERANCES ARE: DECIMALS X.X ± 0.15 X.XX ± 0.10 MATERIAL AND FINISH REF. CODE IDENT. NO. 03554	APPROVALS	DATE	Amphenol Canada Corp.	
	DRAWN H.SONG	JUL02/09	TITLE	
	DESIGNED		1X1 SFP+ CAGE, SPRING FINGER GASKET WITH LIGHT PIPE	
	CHECKED J.SI	AUG06/09		
	QA APPD		SIZE A3	DWG. NO. P-U77-C1619-X001
	E APPD		SCALE 3:1	PROJECT
	DWG APPD			REV. B
				SHEET 1 OF 3

8 7 6 5 4 3 2 1

REVISIONS			
REV	DESCRIPTION	DATE	APPRD
A	PROPOSAL	AUG06/09	
B	PLATING OPTION CONFIGURATION	AUG17/09	



RECOMMENDED BEZEL DESIGN



UNLESS OTHERWISE SPECIFIED DIMENSIONS ARE IN MILLIMETERS TOLERANCES ARE:		APPROVALS		DATE		Amphenol Canada Corp.	
DECIMALS	ANGLES	DRAWN	H.SONG	JUL02/09	TITLE		
X.X ± 0.15	± 0.5°	DESIGNED			1X1 SFP+ CAGE, SPRING FINGER GASKET WITH LIGHT PIPE		
X.XX ± 0.10		CHECKED	J.SI	AUG06/09	REV. B		
MATERIAL AND FINISH		QA APPD			SIZE	DWG. NO.	PROJECT
REF.		E APPD			A3	P-U77-C1619-X001	SHEET
CODE IDENT. NO.	03554	DWG APPD			SCALE	3:1	2 OF 3

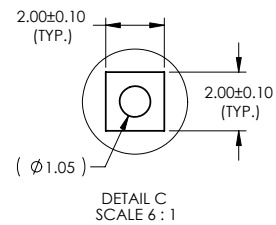
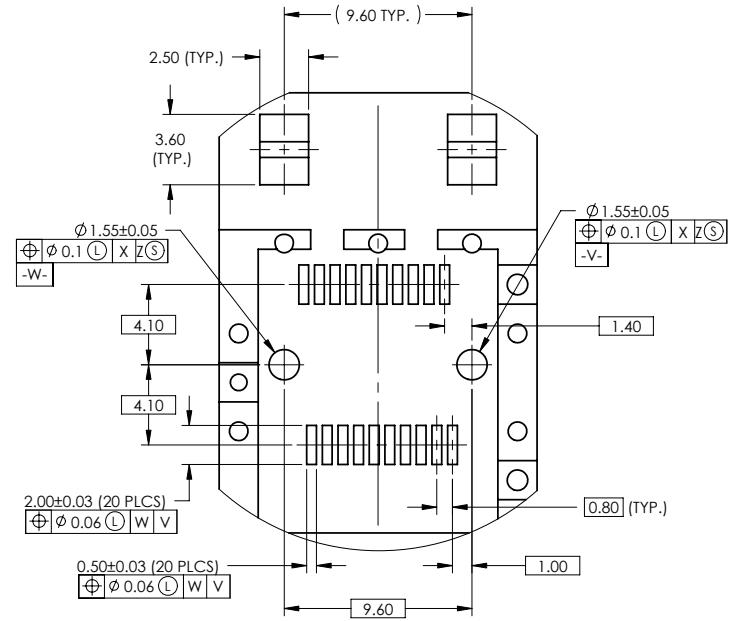
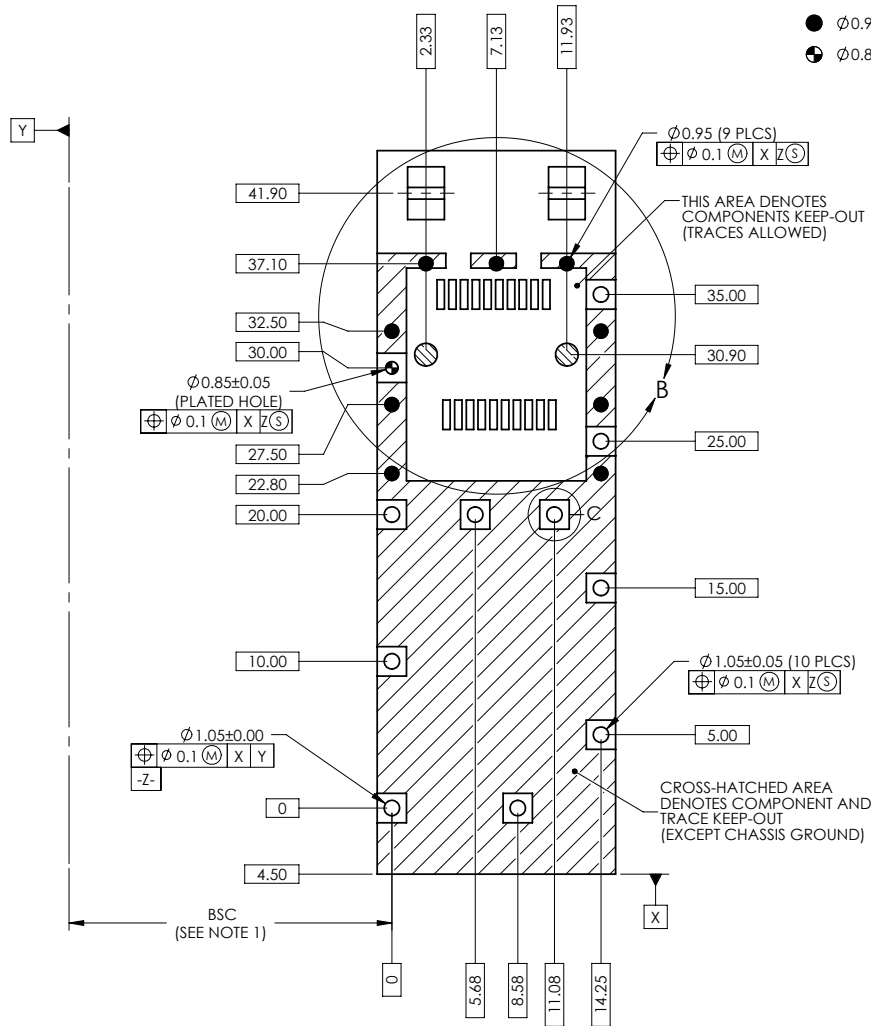
DO NOT SCALE DRAWING
 THIS DOCUMENT CONTAINS PROPRIETARY INFORMATION AND SUCH INFORMATION MAY NOT BE DISCLOSED TO OTHERS FOR ANY PURPOSE OR USED FOR MANUFACTURING PURPOSES WITHOUT PERMISSION FROM AMPHENOL CANADA CORP.

- NOTES:
 1. DATUM AND BASIC DIMENSIONS ESTABLISHED BY CUSTOMER.
 2. PADS AND VIAS ARE CHASSIS GROUND.
 3. THRU-HOLES PLATING OPTIONAL.
 4. SEE DRAWING P-U76-A20-X00XX FOR CONNECTOR LAYOUT.

HOLE SIZES

- ⊘ $\phi 1.55$
- $\phi 1.05$
- $\phi 0.95$
- ⊕ $\phi 0.85$

REVISIONS			
REV	DESCRIPTION	DATE	APPRD
A	PROPOSAL	AUG06/09	
B	PLATING OPTION CONFIGURATION	AUG17/09	



DO NOT SCALE DRAWING

THIS DOCUMENT CONTAINS PROPRIETARY INFORMATION AND SUCH INFORMATION MAY NOT BE DISCLOSED TO OTHERS FOR ANY PURPOSE OR USED FOR MANUFACTURING PURPOSES WITHOUT PERMISSION FROM AMPHENOL CANADA CORP.

UNLESS OTHERWISE SPECIFIED DIMENSIONS ARE IN MILLIMETERS TOLERANCES ARE:		APPROVALS		DATE		Amphenol Canada Corp.	
DECIMALS X.XX ± 0.15		DRAWN H.SONG		JUL02/09		TITLE	
ANGLES ± 0.5°		DESIGNED				1X1 SFP+ CAGE, SPRING FINGER GASKET WITH LIGHT PIPE	
MATERIAL AND FINISH		CHECKED J.SI		AUG06/09		SIZE DWG. NO.	
REF.		E APPD				A3 P-U77-C1619-X001	
CODE IDENT. NO. 03554		DWG APPD				SCALE PROJECT SHEET	
						3:1 3 OF 3	