

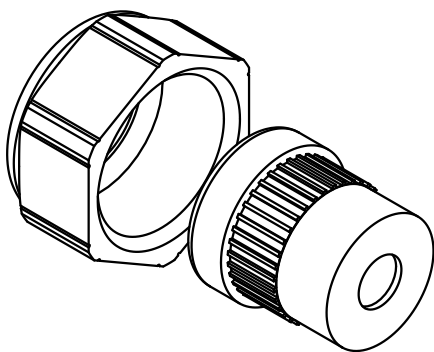
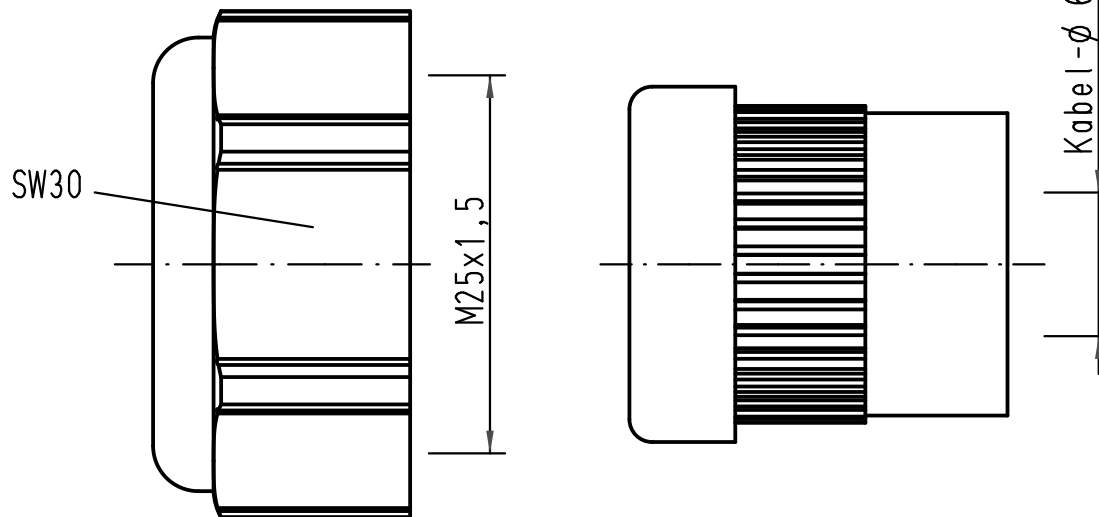
1 2 3 4 5 6

A

B

C

D



Für Tüllen- und Kupplungsgehäuse - Kunststoff
for hoods and cable to cable hoods - plastic

| | | | | | | | |
|------|------|---|--|--------------------------|--------------------------|---|--|
| | | All Dimensions in mm Original Size DIN A 4 | | Techn. Character. | | Nicht tolerierte Maß/Free size tolerances | |
| | | | | Dat. Name | Maßstab/Scale 2:1 | Han-Compact Halbverschraubung M25 half cable protection M25 | |
| | | | | Detail. 28.04.10 Rull | | | |
| | | | | Insp. Sch | | | |
| | | | | Stand. | | | |
| A | | HARTING Electric GmbH & Co. KG D-32339 Espelkamp | | | | TB 19 12 000 5156 | |
| Mod. | Dat. | Name | | Sub. | | Blatt/ page | |