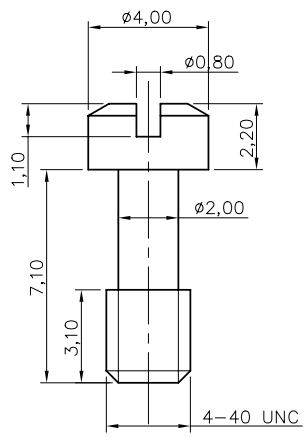
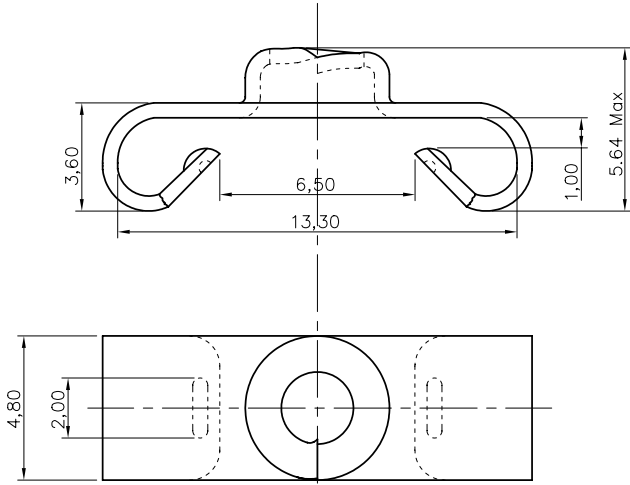


This document is the property of Amphenol Corporation and is delivered on the express condition that it is not to be disclosed, reproduced or used, in whole or in part, for manufacture or sale by anyone other than Amphenol Corporation without its prior consent, & that no right is granted to disclose or to use any information in this document.



Customer drawing

REVISIONS				
SYM	ECN	DESCRIPTION	DATE	APPROVED
A			02/26/08	

D-SUB TECHNICAL DATA

MATERIAL : Steel 100u" min tin over 50u" min nickel  
 PACKAGE : Delivered separately  
 1 P/N : 10 sets  
 MARKING : Amphenol-...(Series No.)  
 Commercial reference  
 Manufacturing date

PRODUCT CODE

L 17D2041918X

L: RoHS Compliance

X=10 lockings

UNLESS OTHERWISE SPECIFIED TOLERANCES		APPROVAL		DATE	Amphenol	
	U.S.	METRIC	DRAWN Sunny.Li	02/26/08		
.X	+/-	0.50	CHECKED tk.wang	02/26/08	TITLE Lock Accessory	
.XX	+/-	0.30	CHECKED			
.XXX	+/-	0.20			DRAWING FILE :	
FRACTIONS +/-						
ANGLES +/-			2'		SIZE DRAWING NO. A4 C L17D2041918X	
REMOVE SHARP EDGES			ANGLE OF PROJECTION			
DIMENSIONS					SCALE NONE SHEET 1 OF 1	
U.S.	INCHES					
METRIC	MM					