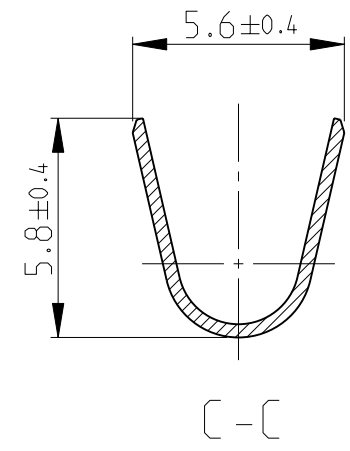
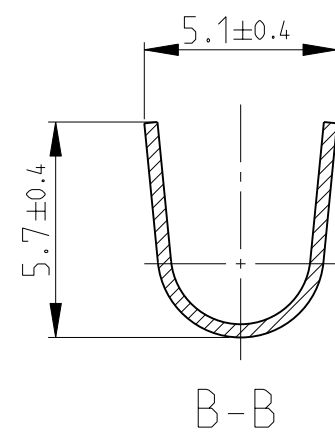
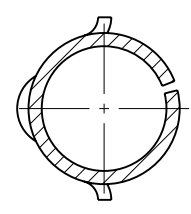
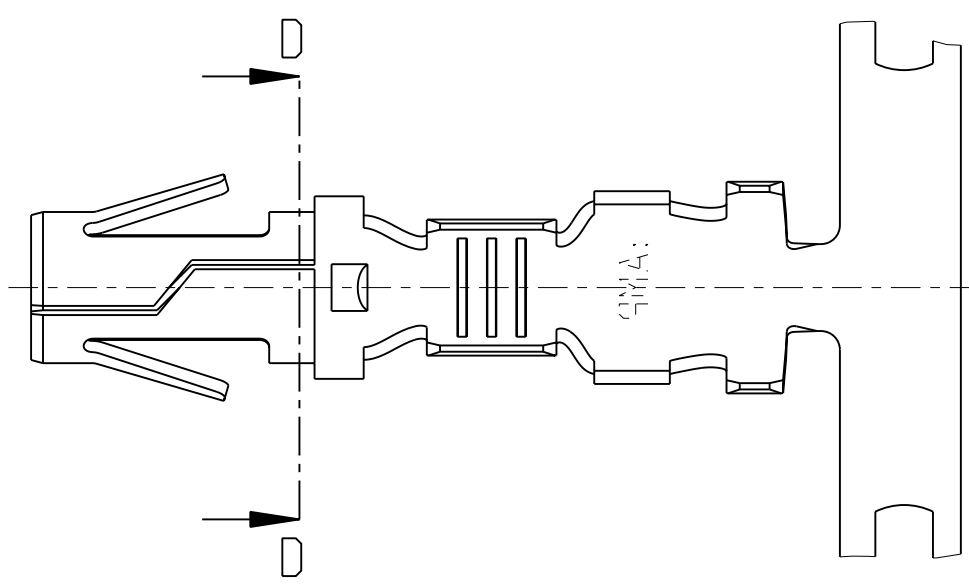
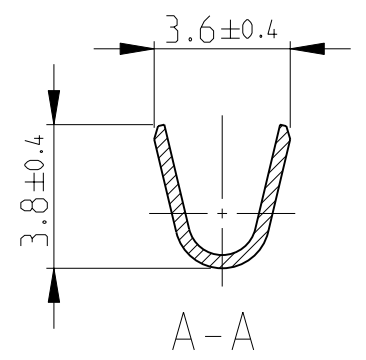
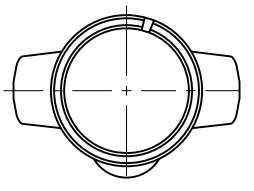
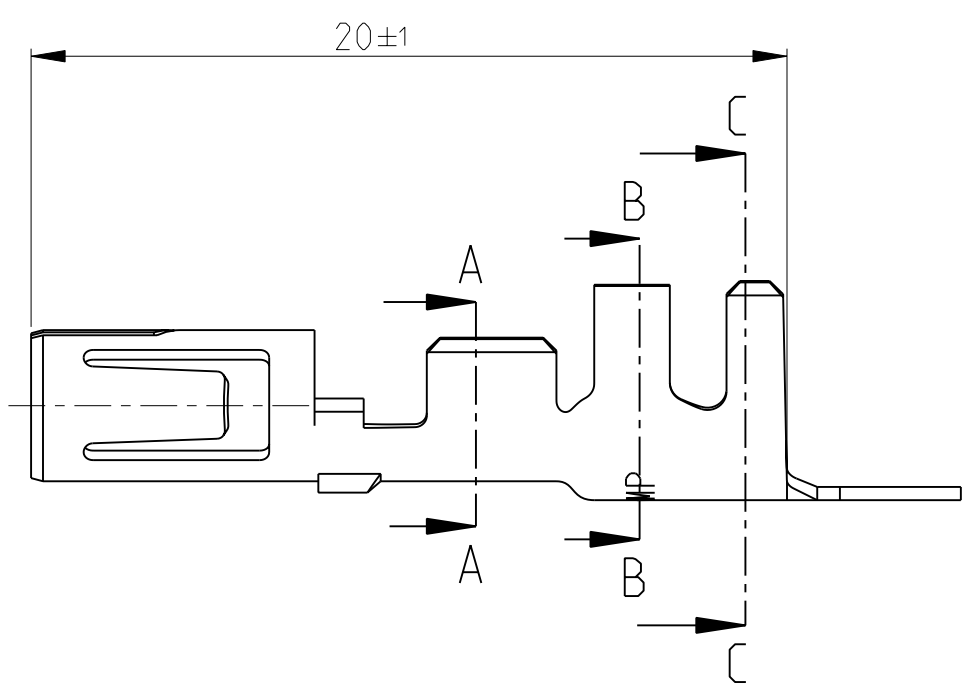


THIS DRAWING IS UNPUBLISHED. RELEASED FOR PUBLICATION 2008  
 © COPYRIGHT 2008 BY TYCO ELECTRONICS CORPORATION. ALL RIGHTS RESERVED.

LOC	DIST	REVISIONS				
P	LTR	DESCRIPTION	DATE	DWN	APVD	
AL	2	A	New drawing released	26NOV2008	J.S	P.E.G



Pre-tin	Phosphor Bronze	927875-2
Pre-tin	Brass	927875-1
Finish	Material	Part no.

<small>THIS DRAWING IS A CONTROLLED DOCUMENT FOR TYCO ELECTRONICS CORPORATION          IT IS SUBJECT TO CHANGE AND THE CONTROLLING ENGINEERING ORGANIZATION          SHOULD BE CONTACTED FOR THE LATEST REVISION.</small>		DWN J. Salo 26NOV2008 CHK R. Sole 26NOV2008 APVD P.E.Grassano 26NOV2008	Tyco Electronics AMP España, S.A. Barcelona, Spain.	
DIMENSIONS: mm	TOLERANCES UNLESS OTHERWISE SPECIFIED: 0 PLC ±- 1 PVC ±0.4 2 PLC ±- 3 PLC ±- 4 PLC ±- ANGLES ±1° 30' FINISH see table	NAME .140 DIA SOCKET PRODUCT SPEC - APPLICATION SPEC - WEIGHT -	SIZE A3 CAGE CODE - DRAWING NO ©=927875	RESTRICTED TO - SCALE 5:1 SHEET 1 OF 1 REV A
MATERIAL see table		CUSTOMER DRAWING		