

1

2

3

4

A

A

B

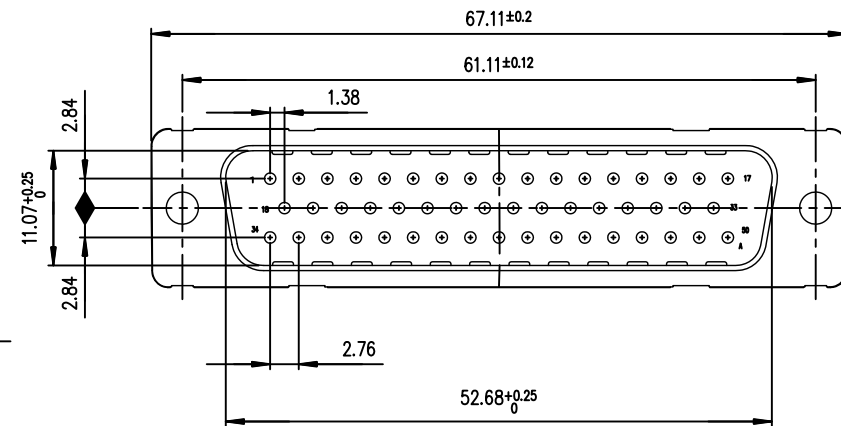
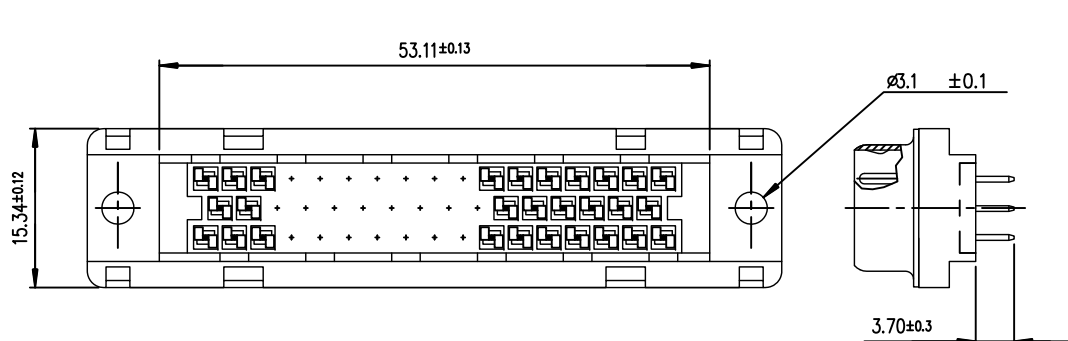
B

C

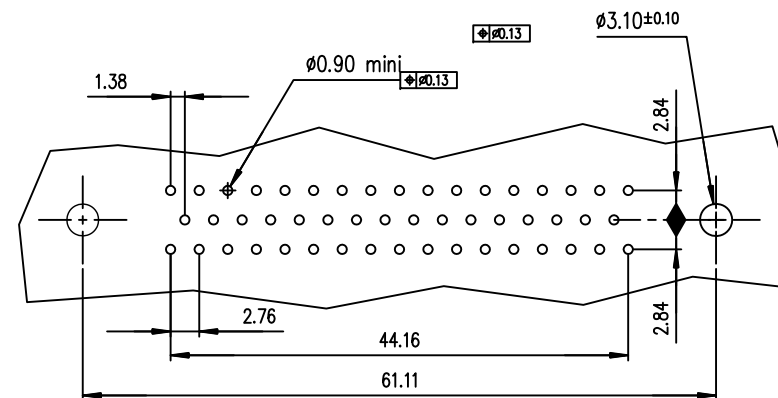
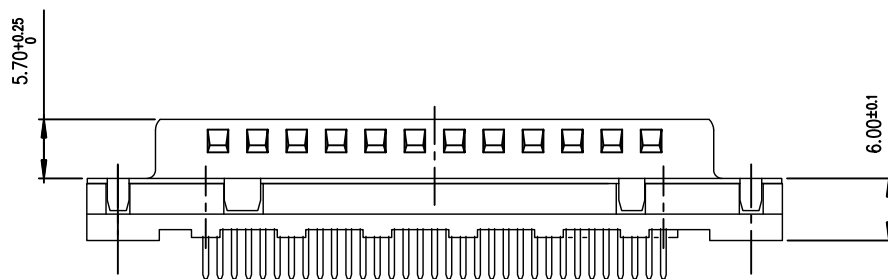
C

D

D



PC card drilling dimensions
(after plating - thickness: 2.40 mm)



Plating: 4 --> flash AU
Plating: 6 --> 0.76µ AU

Part number D50P24B*PA00

REQUIREMENTS

Technical characteristics:

- Shell: steel tin plated
- Insulators: self-extinguishing thermoplastic, ULclass94V0
- Contacts size 20: phosphor bronze, gold on mating end (see table)
- bright tin on termination end over nickel on entire contact
- Cycles : >500 for plating 6
>200 for plating 4

gauge retention force: 0.20N mini

Electrical characteristics:

- max. current rating: 5A
- Test voltage: 1000V
- Rated voltage: 300V
- Contact resistance: ≤10mΩ
- Shell resistance: ≤5mΩ
- Insulation resistance: ≥5000MΩ

Climatic characteristics:

Operating temperature range: -55°c +125°c

Dimensions:

in accordance with MIL-C-24308C and DIN41652

European Views

www.fciconnect.com		surface ISO 1302	tolerance std ISO 406 ISO 1101	projection mm
		TOLERANCES UNLESS OTHERWISE SPECIFIED		mm
Dr	MASSON	2000/07/26	ANGULAR	0.X ±0.1
Eng	MASSON	2000/07/26	LINEAR	0.XX ±0.1
Chr	M PESSON	2000/07/26	0.xx* ±2	0.XXX ±0.1
Appr	M PESSON	2000/07/26	Product family D-SUB Spec ref -	
title		MALE CONNECTOR DELTA D 50-EUROPE		size A3
FCJ		Straight solder, Nuts UNC 4-40		Scale 2
catalog no				ECN LS06-0208
		CUSTOMER		Rev. B
		sheet 1 of 1		

rev	ecn no	dr	date
A	-	MAS	2000/07/26
B	LS06-0208	LGO	2006/12/12
-	-	-	-
-	-	-	-
-	-	-	-
-	-	-	-

1

2

3

4



Copyright FCJ