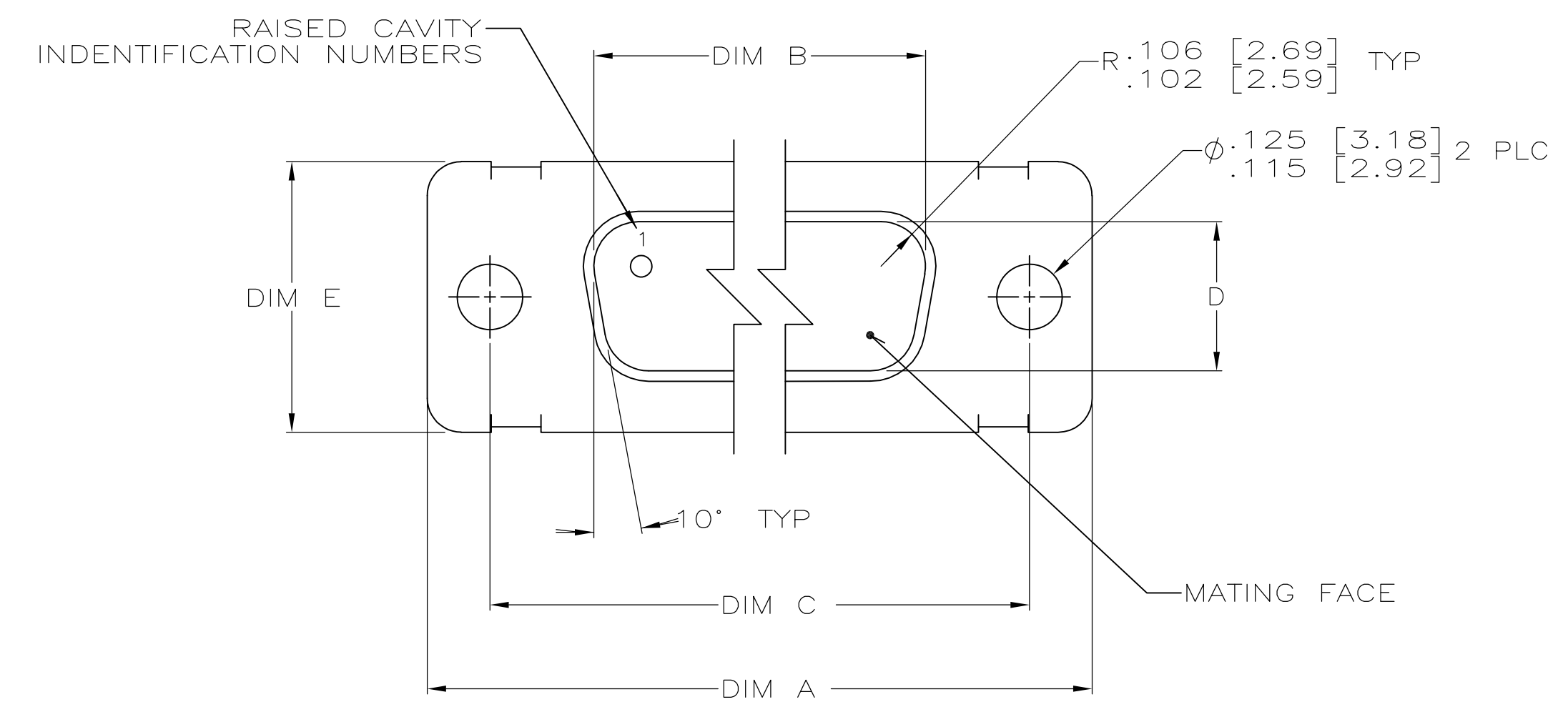
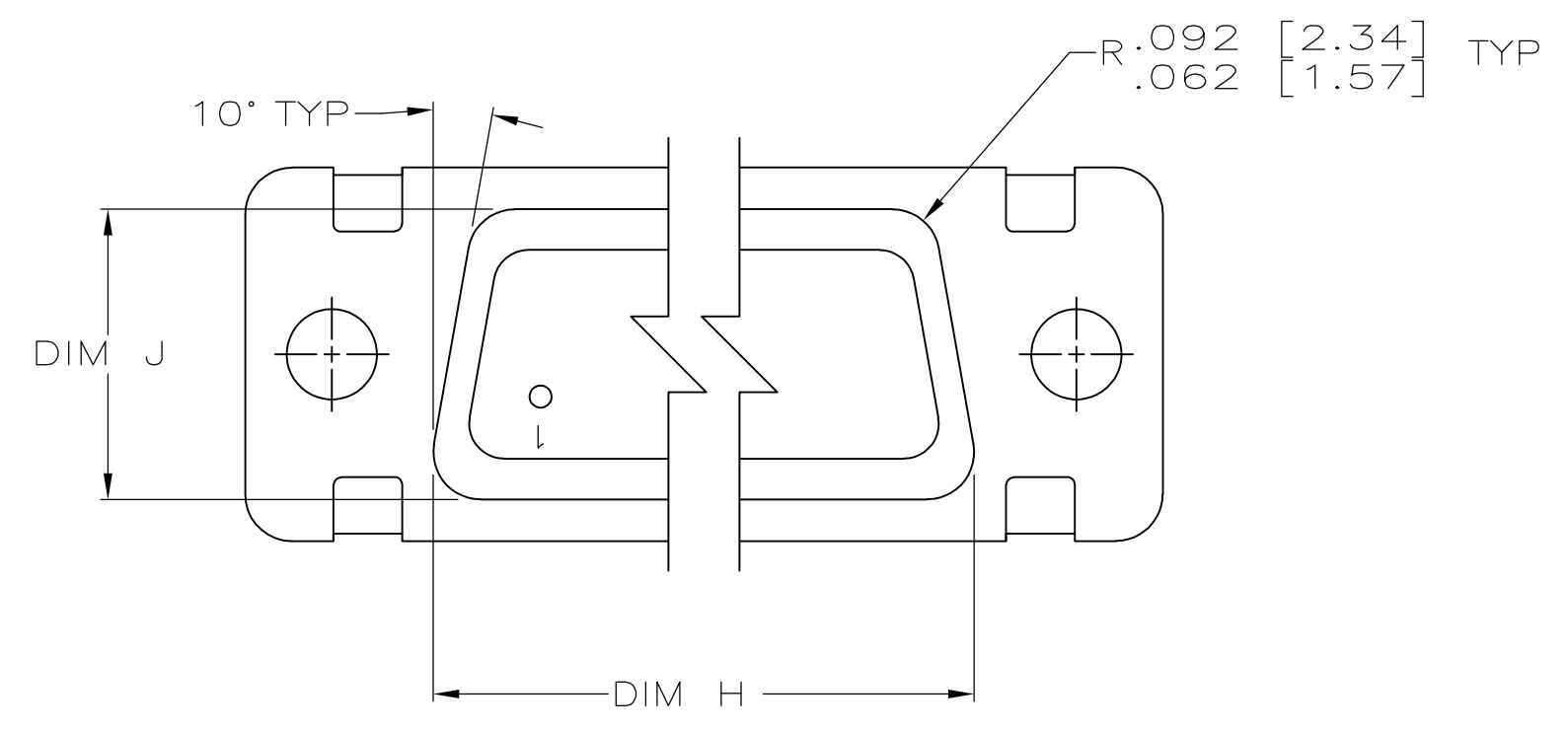
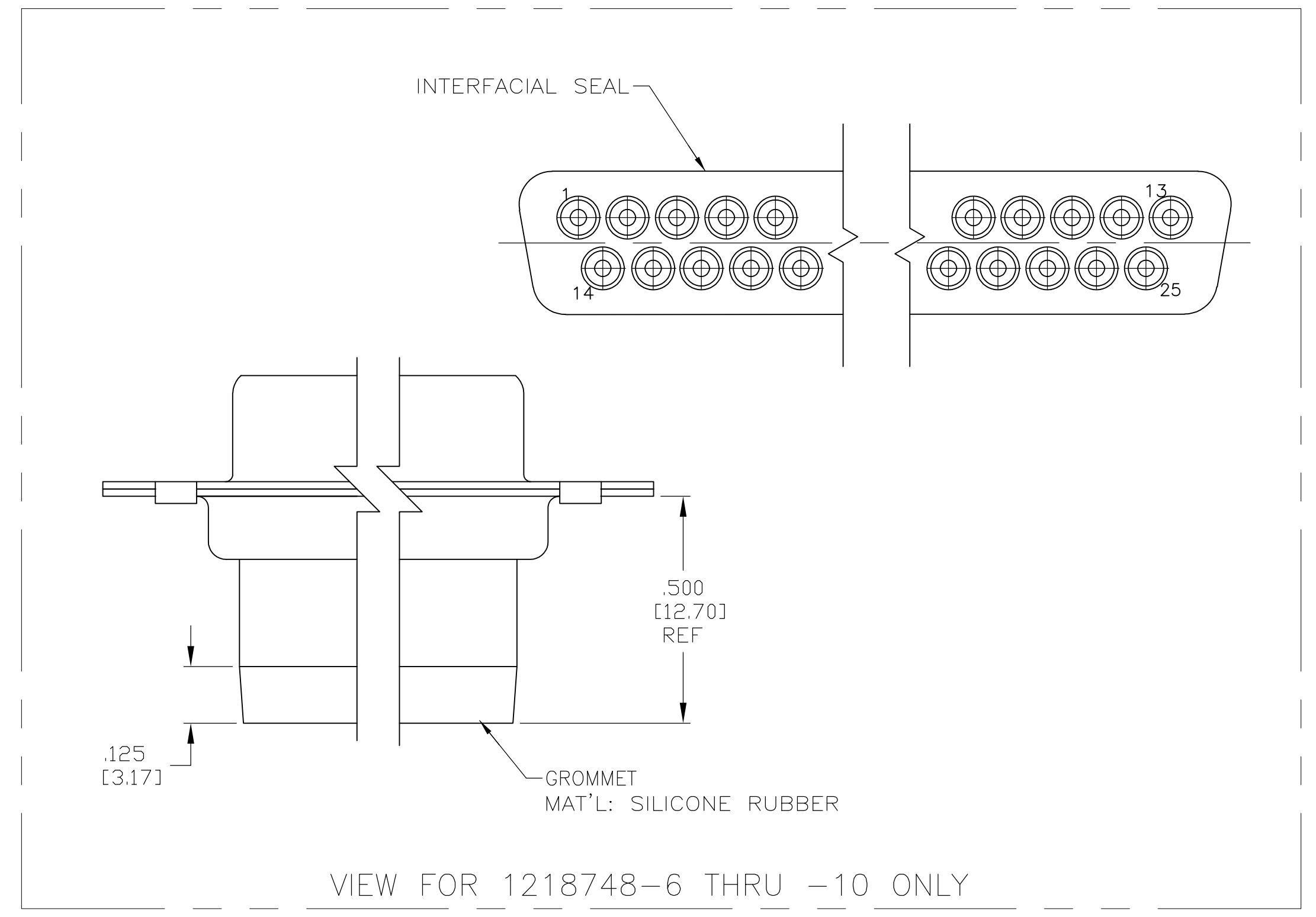
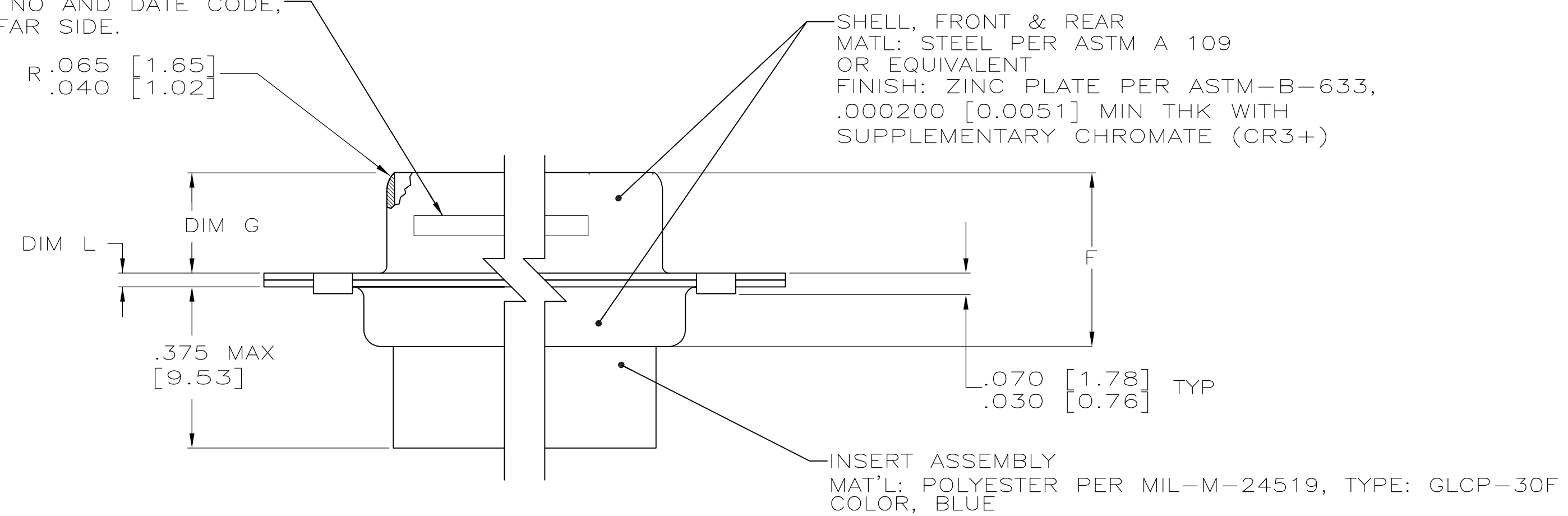


LOC	DIST	REVISIONS					
DF	DO	REV	PER	DESCRIPTION	DATE	DRN	APVD
		E	REV PER	ECO-06-004816	07MAR06	PY	DM
		F	REV PER	ECO-08-018752	21AUG08	PK	BW



- THE CONNECTORS DESCRIBED IN THIS DOCUMENT MATE WITH ANY RECEPTACLE CONNECTOR WITH THE SAME INSERT ARRANGEMENT.
- MARKED WITH .047 [1.19]-.062 [1.57] HIGH CHARACTERS. FAR SIDE REFERS TO THE WIDE SIDE OF THE KEYSTONE. NEAR SIDE REFERS TO THE NARROW SIDE OF THE KEYSTONE. IF THE FRONT SHELL IS TOO SMALL FOR "MFG'S"(NAME, BRAND OR LOGO), MFG'S PART NUMBER AND DATE CODE, THEN SPLIT AS FOLLOWS:
 - MFG'S PART NUMBER ON REAR SHELL, FAR SIDE.
 - "MFG'S" (NAME, BRAND OR LOGO) AND DATE CODE ON FRONT SHELL, FAR SIDE.

MARK MFG'S(NAME, BRAND OR LOGO), MFG'S PART NO AND DATE CODE, FAR SIDE.



DESCRIPTION	L	J	H	G	F	E	D	C	B	A	REMARKS	NO OF POS	SHELL SIZE	PART NUMBER
PRELIMINARY NOT RELEASED FOR PRODUCTION WITH GROMMET & INTERFACIAL SEAL	.049 [1.24]	.544 [13.82]	2.188 [55.58]	.238 [6.05]	.436 [11.07]	.620 [15.75]	.446 [11.33]	2.411 [61.24]	2.084 [52.93]	2.650 [67.31]		50	5	1-1218748-0
PRELIMINARY NOT RELEASED FOR PRODUCTION WITH GROMMET & INTERFACIAL SEAL	.029 [0.74]	.524 [13.31]	2.168 [55.07]	.229 [5.82]	.416 [10.57]	.590 [14.99]	.436 [11.07]	2.401 [60.99]	2.074 [52.68]	2.620 [66.55]		37	4	1218748-9
PRELIMINARY NOT RELEASED FOR PRODUCTION WITH GROMMET & INTERFACIAL SEAL	.049 [1.24]	.432 [10.97]	2.282 [57.96]	.238 [6.05]	.436 [11.07]	.509 [12.93]	.334 [8.48]	2.505 [63.63]	2.187 [55.55]	2.744 [69.70]		25	3	1218748-8
PRELIMINARY NOT RELEASED FOR PRODUCTION WITH GROMMET & INTERFACIAL SEAL	.029 [0.74]	.412 [10.46]	2.262 [57.45]	.229 [5.82]	.416 [10.57]	.479 [12.17]	.324 [8.23]	2.495 [63.37]	2.177 [55.30]	2.714 [68.94]		15	2	1218748-7
PRELIMINARY NOT RELEASED FOR PRODUCTION WITH GROMMET & INTERFACIAL SEAL	.040 [1.02]	.432 [10.97]	1.093 [27.76]	.238 [6.05]	.432 [10.97]	.509 [12.93]	.334 [8.48]	1.317 [33.45]	.999 [25.37]	1.556 [39.52]		9	1	1218748-6
PRELIMINARY NOT RELEASED FOR PRODUCTION WITH GROMMET & INTERFACIAL SEAL	.020 [0.51]	.412 [10.46]	1.073 [27.25]	.229 [5.82]	.412 [10.46]	.479 [12.17]	.324 [8.23]	1.307 [33.20]	.989 [25.12]	1.526 [38.76]		50	5	1218748-5
PRELIMINARY NOT RELEASED FOR PRODUCTION WITH GROMMET & INTERFACIAL SEAL	.049 [1.24]	.544 [13.82]	2.188 [55.58]	.238 [6.05]	.436 [11.07]	.620 [15.75]	.446 [11.33]	2.411 [61.24]	2.084 [52.93]	2.650 [67.31]		37	4	1218748-4
PRELIMINARY NOT RELEASED FOR PRODUCTION WITH GROMMET & INTERFACIAL SEAL	.029 [0.74]	.524 [13.31]	2.168 [55.07]	.229 [5.82]	.416 [10.57]	.590 [14.99]	.436 [11.07]	2.401 [60.99]	2.074 [52.68]	2.620 [66.55]		25	3	1218748-3
PRELIMINARY NOT RELEASED FOR PRODUCTION WITH GROMMET & INTERFACIAL SEAL	.049 [1.24]	.432 [10.97]	2.282 [57.96]	.238 [6.05]	.436 [11.07]	.509 [12.93]	.334 [8.48]	2.505 [63.63]	2.187 [55.55]	2.744 [69.70]		15	2	1218748-2
PRELIMINARY NOT RELEASED FOR PRODUCTION WITH GROMMET & INTERFACIAL SEAL	.029 [0.74]	.412 [10.46]	2.262 [57.45]	.229 [5.82]	.416 [10.57]	.479 [12.17]	.324 [8.23]	2.495 [63.37]	2.177 [55.30]	2.714 [68.94]		9	1	1218748-1
PRELIMINARY NOT RELEASED FOR PRODUCTION WITH GROMMET & INTERFACIAL SEAL	.040 [1.02]	.432 [10.97]	1.093 [27.76]	.238 [6.05]	.432 [10.97]	.509 [12.93]	.334 [8.48]	1.317 [33.45]	.999 [25.37]	1.556 [39.52]		50	5	1218748-0
PRELIMINARY NOT RELEASED FOR PRODUCTION WITH GROMMET & INTERFACIAL SEAL	.020 [0.51]	.412 [10.46]	1.073 [27.25]	.229 [5.82]	.412 [10.46]	.479 [12.17]	.324 [8.23]	1.307 [33.20]	.989 [25.12]	1.526 [38.76]		37	4	1218748-9
PRELIMINARY NOT RELEASED FOR PRODUCTION WITH GROMMET & INTERFACIAL SEAL	.049 [1.24]	.544 [13.82]	2.188 [55.58]	.238 [6.05]	.436 [11.07]	.620 [15.75]	.446 [11.33]	2.411 [61.24]	2.084 [52.93]	2.650 [67.31]		25	3	1218748-8
PRELIMINARY NOT RELEASED FOR PRODUCTION WITH GROMMET & INTERFACIAL SEAL	.029 [0.74]	.524 [13.31]	2.168 [55.07]	.229 [5.82]	.416 [10.57]	.590 [14.99]	.436 [11.07]	2.401 [60.99]	2.074 [52.68]	2.620 [66.55]		15	2	1218748-7
PRELIMINARY NOT RELEASED FOR PRODUCTION WITH GROMMET & INTERFACIAL SEAL	.040 [1.02]	.432 [10.97]	1.093 [27.76]	.238 [6.05]	.432 [10.97]	.509 [12.93]	.334 [8.48]	1.317 [33.45]	.999 [25.37]	1.556 [39.52]		9	1	1218748-6
PRELIMINARY NOT RELEASED FOR PRODUCTION WITH GROMMET & INTERFACIAL SEAL	.020 [0.51]	.412 [10.46]	1.073 [27.25]	.229 [5.82]	.412 [10.46]	.479 [12.17]	.324 [8.23]	1.307 [33.20]	.989 [25.12]	1.526 [38.76]		50	5	1218748-5
PRELIMINARY NOT RELEASED FOR PRODUCTION WITH GROMMET & INTERFACIAL SEAL	.049 [1.24]	.544 [13.82]	2.188 [55.58]	.238 [6.05]	.436 [11.07]	.620 [15.75]	.446 [11.33]	2.411 [61.24]	2.084 [52.93]	2.650 [67.31]		37	4	1218748-4
PRELIMINARY NOT RELEASED FOR PRODUCTION WITH GROMMET & INTERFACIAL SEAL	.029 [0.74]	.524 [13.31]	2.168 [55.07]	.229 [5.82]	.416 [10.57]	.590 [14.99]	.436 [11.07]	2.401 [60.99]	2.074 [52.68]	2.620 [66.55]		25	3	1218748-3
PRELIMINARY NOT RELEASED FOR PRODUCTION WITH GROMMET & INTERFACIAL SEAL	.049 [1.24]	.432 [10.97]	2.282 [57.96]	.238 [6.05]	.436 [11.07]	.509 [12.93]	.334 [8.48]	2.505 [63.63]	2.187 [55.55]	2.744 [69.70]		15	2	1218748-2
PRELIMINARY NOT RELEASED FOR PRODUCTION WITH GROMMET & INTERFACIAL SEAL	.029 [0.74]	.412 [10.46]	2.262 [57.45]	.229 [5.82]	.416 [10.57]	.479 [12.17]	.324 [8.23]	2.495 [63.37]	2.177 [55.30]	2.714 [68.94]		9	1	1218748-1

THIS DRAWING IS A CONTROLLED DOCUMENT.

DIMENSIONS: INCHES	TOLERANCES UNLESS OTHERWISE SPECIFIED:	DRAWN: C.C. THOMAS 11-10-00	CHK: R. GROSS 11-10-00	APPROD: R. GROSS 11-10-00	NAME: PLUG ASSY,AMPLIMITE,SERIES 109, SIZE 20,ZINC PLATED
0 PLC ± -	1 PLC ± -	2 PLC ± -	3 PLC ± -	4 PLC ± -	RESTRICTED TO: -
ANGLES ± -	FINISH SEE CALLOUTS	WEIGHT: -	SIZE: A1	CAGE CODE: 00779	DRAWING NO: 1218748
MATERIAL: SEE CALLOUTS	FINISH: SEE CALLOUTS	SCALE: 4:1	SHEET: 1 OF 1	REV: F	

Tyco Electronics Corporation
 Harrisburg, Pa 17105-3608