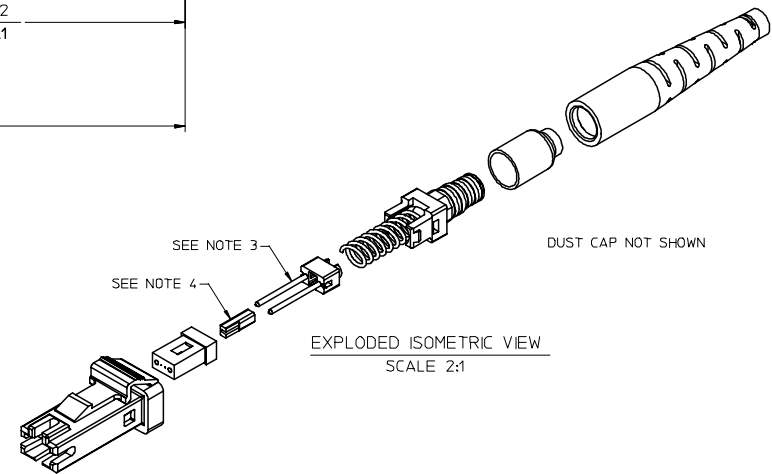
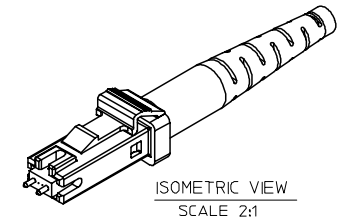
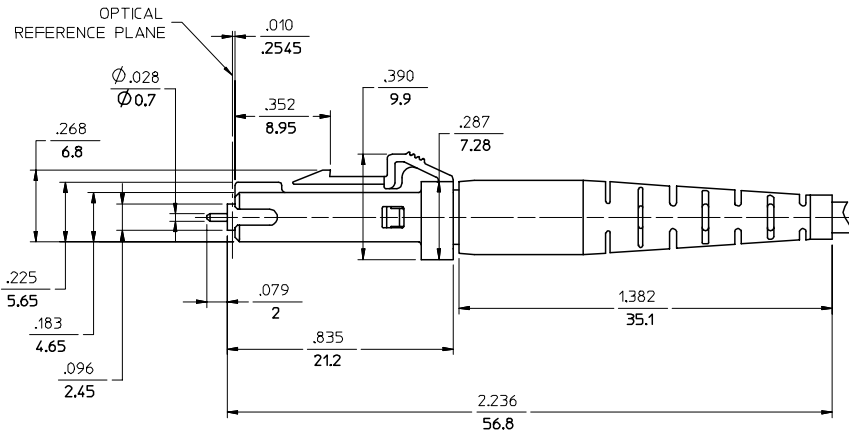
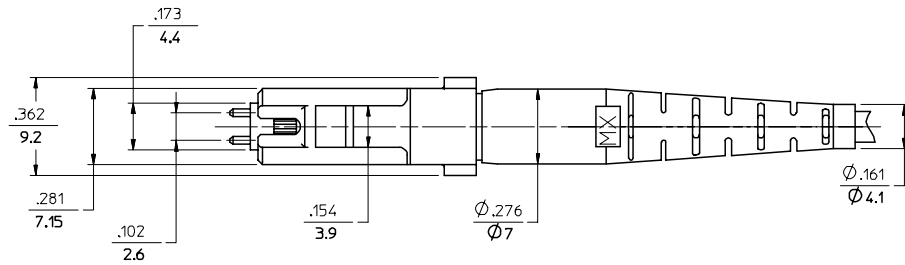


CONNECTOR P/N	BOOT COLOR	CONNECTOR TYPE
106002-3000	BEIGE	MALE MM
106003-3000		FEMALE MM
106002-5000	BLUE	MALE SM
106003-5000		FEMALE SM
106002-3030	BLACK	MALE MM
106002-3040*		MALE MM
106003-3030		FEMALE MM
106003-3040*	RED	FEMALE MM
106002-3031		MALE MM
106003-3033		FEMALE MM
106002-3032	BLUE	MALE MM
106003-3034		FEMALE MM



AVAILABLE CABLE TYPES

CABLE TYPE 1	CABLE TYPE 2	CABLE TYPE 3
2 FIBER DUAL LINK WITH Ø2.8mm JACKET	3.5mm X 1.6mm 2 FIBER ZPCORD	2 FIBER RIBBON WITH Ø2.9mm JACKET

NOTES:

- DUST CAP NOT SHOWN, BUT INCLUDED.
- MALE CONNECTOR SHOWN. FEMALE CONNECTOR DOES NOT CONTAIN PINS.
- CABLE TYPE 1 & 2 DO NOT REQUIRE FERRULE BOOT.
- SEE PROCEDURE 0A1131 FOR ASSEMBLY INSTRUCTIONS.
- P/N 106002-3040 AND 106003-3040 ARE BULK PACKED.

ENTER DESCRIPTION EC NO: MF2006-0340 DRAWN/RPAC IFC I 2005/11/29 CHKD: 2005/11/29 APPR: JGUMIN 2005/11/29 REVISIONS A	QUALITY SYMBOLS	GENERAL TOLERANCES (UNLESS SPECIFIED)	DIMENSION STYLE	SCALE	DESIGN UNITS	THIRD ANGLE PROJECTION															
	$\nabla=0$ $\nabla=0$	<table border="1"> <tr> <th></th> <th>mm</th> <th>INCH</th> </tr> <tr> <td>4 PLACES</td> <td>± ---</td> <td>± ---</td> </tr> <tr> <td>3 PLACES</td> <td>± ---</td> <td>± ---</td> </tr> <tr> <td>2 PLACES</td> <td>± ---</td> <td>± ---</td> </tr> <tr> <td>1 PLACE</td> <td>± ---</td> <td>± ---</td> </tr> </table>		mm	INCH	4 PLACES	± ---	± ---	3 PLACES	± ---	± ---	2 PLACES	± ---	± ---	1 PLACE	± ---	± ---	IN/MM	3:1	INCH	
		mm	INCH																		
	4 PLACES	± ---	± ---																		
3 PLACES	± ---	± ---																			
2 PLACES	± ---	± ---																			
1 PLACE	± ---	± ---																			
	ANGULAR ±1/2°	DRAWN BY RPAC IFC I	DATE 2005/10/20	TITLE MT-RJ CONNECTOR																	
	DRAFT WHERE APPLICABLE MUST REMAIN WITHIN DIMENSIONS	CHECKED BY	DATE	APPROVED BY																	
		MATERIAL NO.	DOCUMENT NO.	SHEET NO.																	
		SIZE C	SEE TABLE	SD-10600X-X0X0																	
		THIS DRAWING CONTAINS INFORMATION THAT IS PROPRIETARY TO MOLEX INCORPORATED AND SHOULD NOT BE USED WITHOUT WRITTEN PERMISSION																			