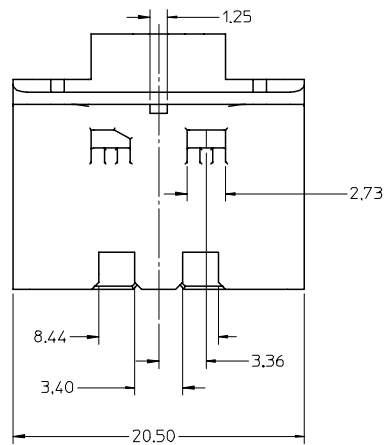
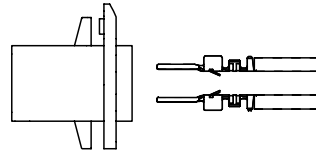


J
I
H
G
F
E
D
C
B
A

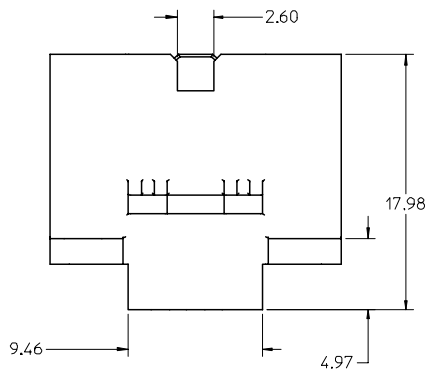
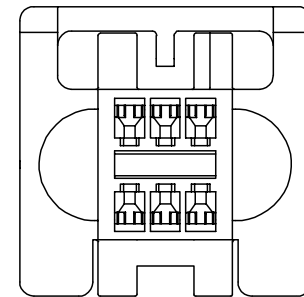
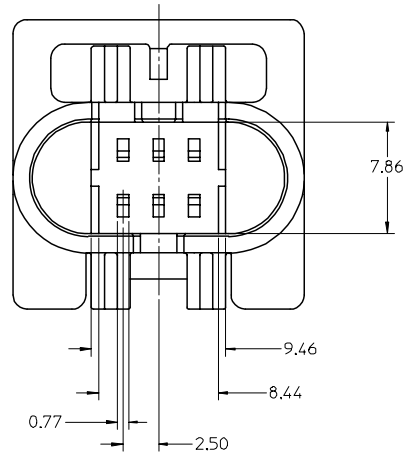
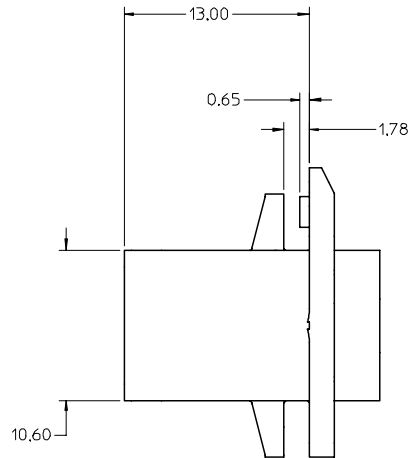
J
I
H
G
F
E
D
C
B
A



TERMINALS TO BE ORIENTED AND LOADED INTO THE HOUSING AS SHOWN BELOW



Partial1
SCALE 2:1



NOTES:

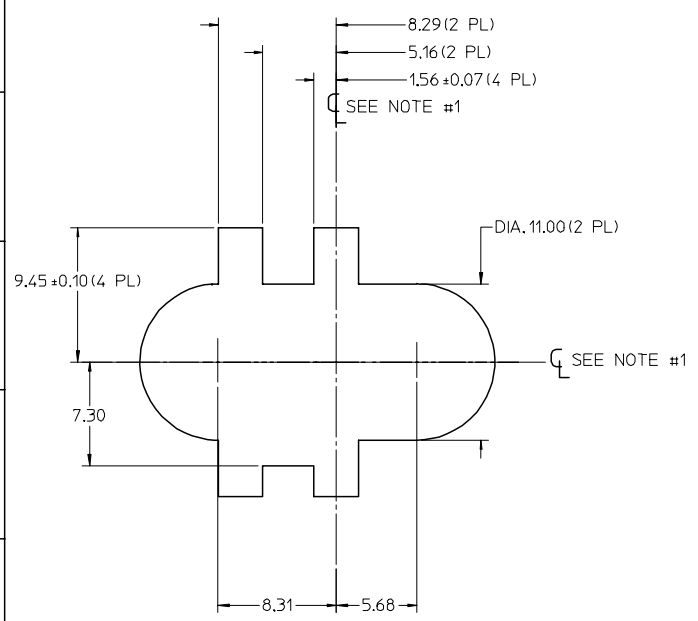
1. MATERIAL: POLYESTER, UL94V-0, COLOR: BLACK.
2. PRODUCT CONFORMS TO PRODUCT SPECIFICATION PS-45779-001.
3. USES MALE CRIMP TERMINALS SERIES 45627.
4. PART MATES WITH MOLEX RECEPTACLE SERIES 45579.
5. PACKAGING: BULK.
6. SEE PAGE 2 OF 2 FOR PANEL CUTOUT DIMENSIONS AND THE ALLOWED PANEL TO PANEL MISALIGNMENT.
7. USE MOLEX EXTRACTION TOOL 63813-1400 TO REMOVE TERMINAL WITHOUT DAMAGING THE PLUG CORE. RELOAD PLUG CORE WITH NEW TERMINAL ONLY. REMOVED TERMINAL AFTER EXTRACTION IS NOT USABLE.

EC NO: UCP2005-2128 DRWN: MCARRANZ805/04/05 CHKD: 2005/04/05 APPR: JCOMERC 2005/04/08	QUALITY SYMBOLS	GENERAL TOLERANCES (UNLESS SPECIFIED)		SCALE 4:1	DESIGN UNITS METRIC	THIRD ANGLE PROJECTION	REVISE ON CAD ONLY
	DESCRIPTION A2	4 PLACES ± --- ± --- 3 PLACES ± --- ± --- 2 PLACES ± 0.13 ± --- 1 PLACE ± 0.25 ± ---	mm INCH DIMENSION STYLE MM ONLY	DRAWN BY KSTILES	DATE 10/25/2003	TITLE	
		ANGULAR ±1/2°		CHECKED BY	DATE	SPOX BMI PLUG HOUSING 6 CIRCUIT REAR ENTRY PANEL MOUNT	
		DRAFT WHERE APPLICABLE MUST REMAIN WITHIN DIMENSIONS		APPROVED BY	DATE	MOLEX INCORPORATED MATERIAL NO. 45626-0001 DOCUMENT NO. SD-45626-001 SHEET NO. 1 OF 2	
THIS DRAWING CONTAINS INFORMATION THAT IS PROPRIETARY TO MOLEX INCORPORATED AND SHOULD NOT BE USED WITHOUT WRITTEN PERMISSION							

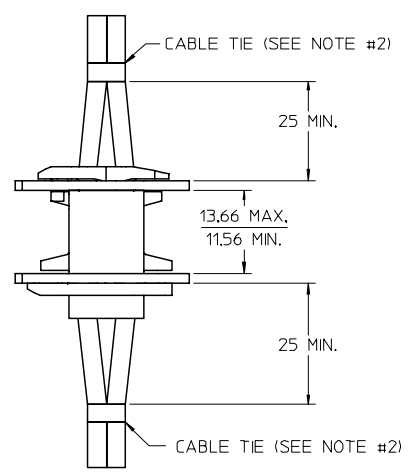
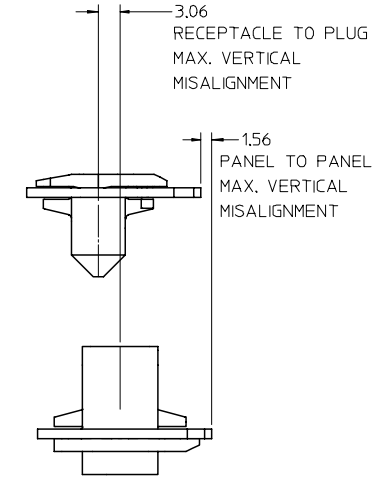
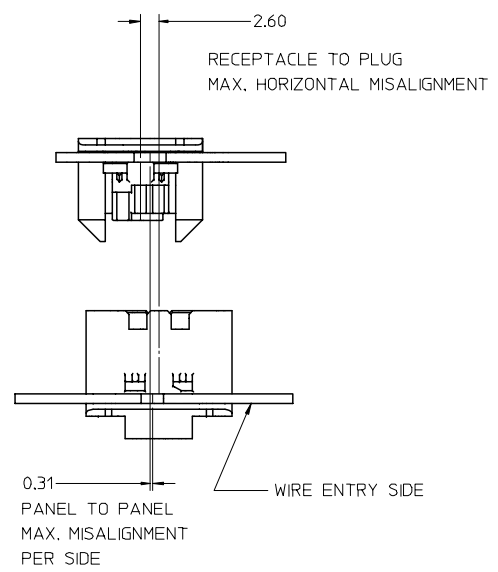
12 11 10 9 8 7 6 5 4 3 2

J
I
H
G
F
E
D
C
B
A

J
I
H
G
F
E
D
C
B
A

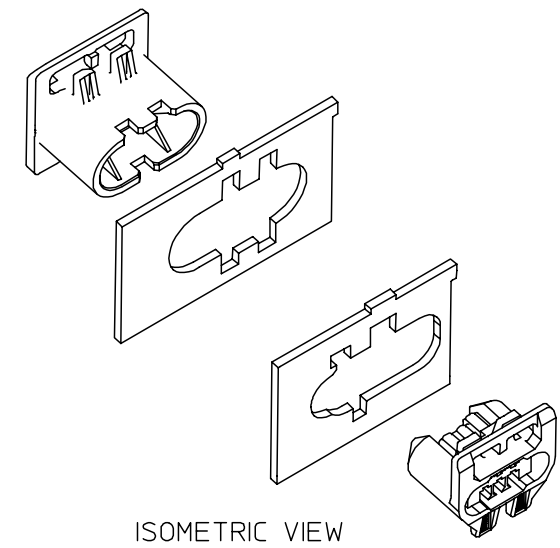


PANEL CUTOUT
WIRE ENTRY SIDE VIEW
PANEL THICKNESS 1.35mm +/-0.15



PANEL TO PANEL STACK HEIGHT

- NOTES:
1. TO CENTER 45626 PANEL CUTOUT WITH 45579 PANEL CUTOUT, ALIGN CENTERLINES WITH CENTERLINES OF THE PANEL CUTOUT IN THE DRAWING SD-45579-001.
 2. TERMINALS MUST BE ALLOWED TO FLOAT FREELY WITHIN EACH CORE DO NOT TIE WIRES TOGETHER TIGHTLY. ALLOW WIRE TO MOVE.



ISOMETRIC VIEW

EC NO: UCP2005-2128 DRWN: MCARRANZ805/04/05 CHKD: 2005/04/05 APPR: JCOMERC 2005/04/08	QUALITY SYMBOLS	GENERAL TOLERANCES (UNLESS SPECIFIED)		SCALE 2:1	DESIGN UNITS METRIC	THIRD ANGLE PROJECTION	REVISE ON CAD ONLY	
	▽ 0 ◻ 0		mm	INCH	DIMENSION STYLE MM ONLY		TITLE	
		4 PLACES	± ---	± ---	DRAWN BY DATE		SPOX BMI PLUG HOUSING	
		3 PLACES	± ---	± ---	KSTILES 10/25/2003		6 CIRCUIT	
	2 PLACES	± 0.13	± ---	CHECKED BY DATE		REAR ENTRY PANEL MOUNT		
	1 PLACE	± 0.25	± ---	APPROVED BY DATE		MOLEX INCORPORATED		
	ANGULAR ±1/2°		DRAFT WHERE APPLICABLE		MATERIAL NO. 45626-0001		DOCUMENT NO. SD-45626-001	
	MUST REMAIN WITHIN DIMENSIONS		THIS DRAWING CONTAINS INFORMATION THAT IS PROPRIETARY TO MOLEX INCORPORATED AND SHOULD NOT BE USED WITHOUT WRITTEN PERMISSION		SHEET NO. 2 OF 2			

11 10 9 8 7 6 5 4 3 2 1