

THIS DRAWING IS UNPUBLISHED. RELEASED FOR PUBLICATION

© COPYRIGHT 2011 BY TYCO ELECTRONICS CORPORATION. ALL RIGHTS RESERVED.

LOC DW DIST

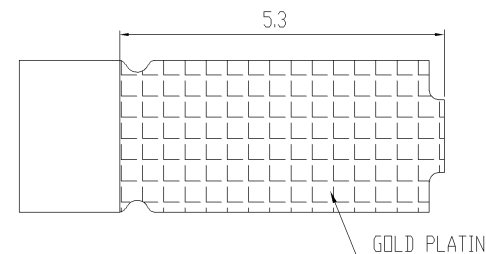
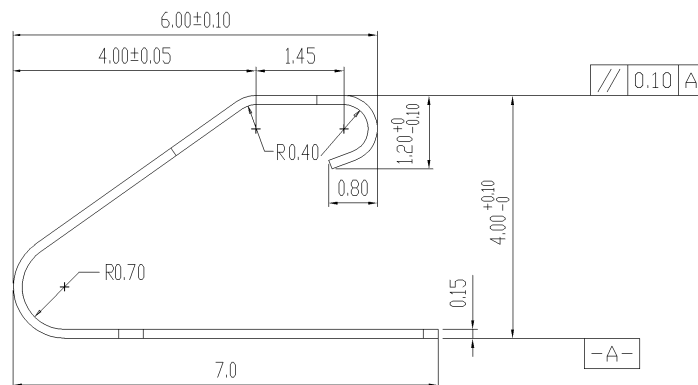
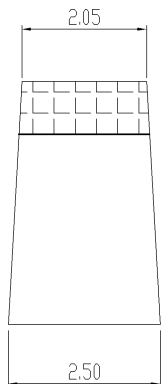
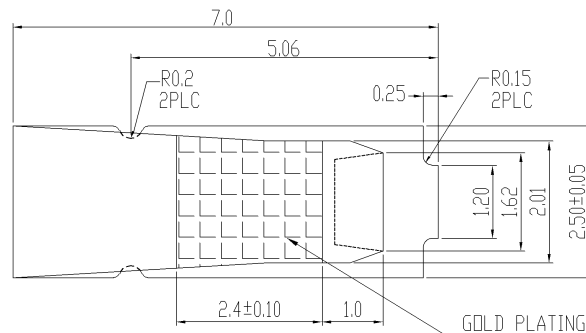
REVISIONS

P	LTR	DESCRIPTION	DATE	DWN	APVD
B2		REVISED (ECR-11-006482)	29MAR11	JL	WK

NOTES :

ROHS 2002/95/EC COMPLIANT

- MATERIAL :
COPPER ALLOY, 0.15±0.01MM THK
- FINISH :
GOLD FLASH PLATING ON THE CONTACT AND FOOT AREA
NICKEL UNDERPLATING OVER ALL.
- CURRENT RATING : 1 A
- TEMPERATURE RATING : -40°C ~ +105°C

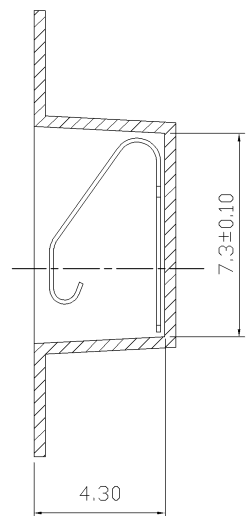
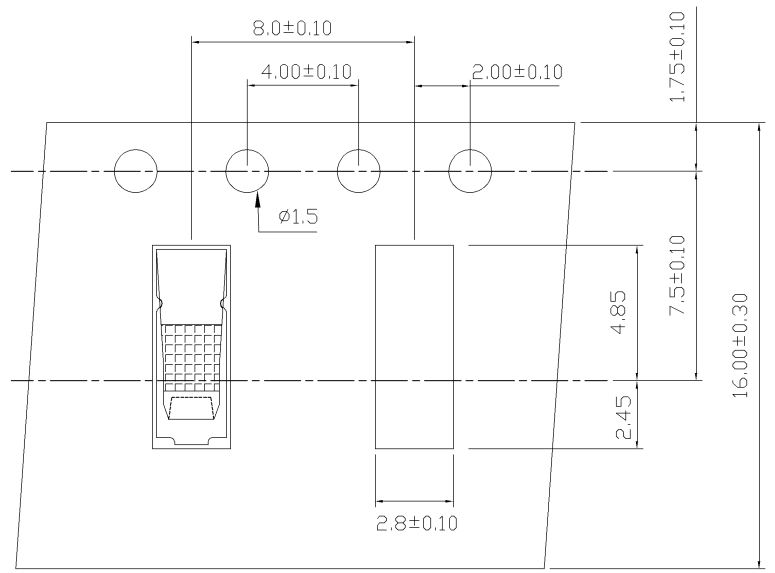


OBSOLETE	-440422-2	Ti-Cu
	440422-1	Be-Cu
	PART NUMBER	MATERIAL

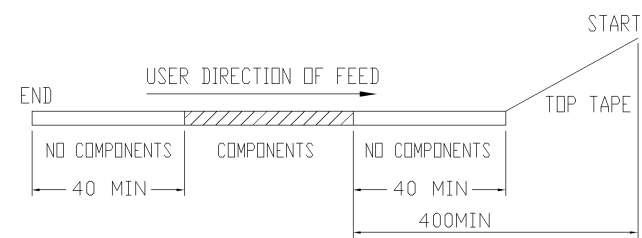
THIS DRAWING IS A CONTROLLED DOCUMENT.		DWN S. HOU 01FEB2001	STE TE Connectivity	
DIMENSIONS: mm		CHK J. CHENG 01FEB2001		
TOLERANCES UNLESS OTHERWISE SPECIFIED:		APVD J. WU 01FEB2001	NAME	
0 PLC ± -		PRODUCT SPEC		SHIELD FINGER 4025-T
1 PLC ± 0.3		APPLICATION SPEC		
2 PLC ± 0.15		108-57068		RESTRICTED TO
3 PLC ± 0.03		SIZE A3		CAGE CODE 00779
4 PLC ± -		DRAWING NO C-440422		SCALE
ANGLES ± 2'		WEIGHT -		SHEET 1 of 2
MATERIAL SEE NOTE	FINISH SEE NOTE	CUSTOMER DRAWING		REV B2

THIS DRAWING IS UNPUBLISHED. RELEASED FOR PUBLICATION
 © COPYRIGHT 2011 BY TYCO ELECTRONICS CORPORATION. ALL RIGHTS RESERVED.

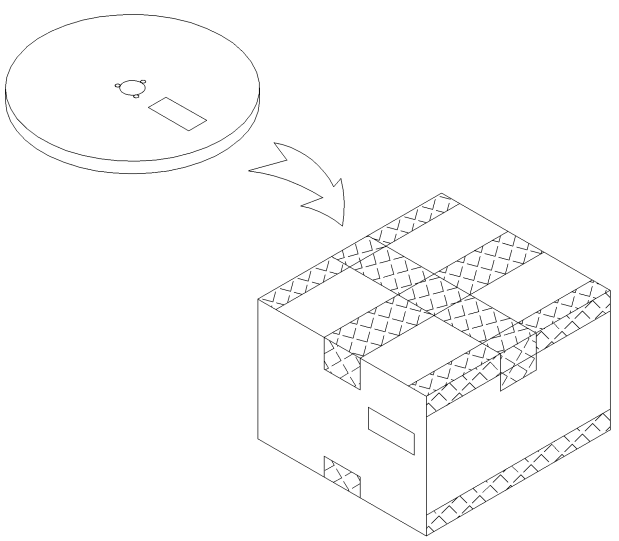
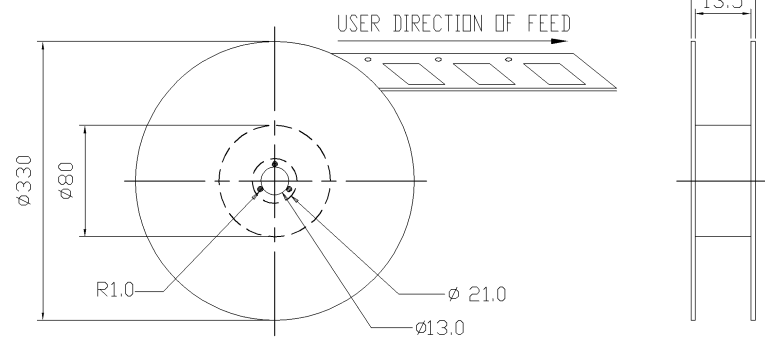
LOC DW	DIST	REVISIONS					
		P	LTR	DESCRIPTION	DATE	DWN	APVD
				SEE SHEET 1.			



- NOTES :
- QUANTITY :
10 REEL/SHIPPING BOX
2000 PCS/REEL
 - DIMENSION :
BOX : 345X345X240
REEL : Ø330X20.0
 - GENERAL TOLERANCE : ±0.3
 - WEIGHT :
NET WEIGHT : 6.00kg
GROSS WEIGHT : 6.52kg



REEL DIMENSION: REFERENCE ONLY



THIS DRAWING IS A CONTROLLED DOCUMENT.		DWN	TE Connectivity		
DIMENSIONS: mm	TOLERANCES UNLESS OTHERWISE SPECIFIED:	CHK	NAME		
0 PLC ±	1 PLC ±0.3	APVD	SHIELD FINGER 4025-T		
2 PLC ±0.2	3 PLC ±0.15	PRODUCT SPEC	SIZE	CAGE CODE	DRAWING NO
4 PLC ±	ANGLES ± 3'	APPLICATION SPEC	A3	00779	C=440422
MATERIAL	FINISH	WEIGHT	CUSTOMER DRAWING		RESTRICTED TO
			SCALE	SHEET 2 of 2	REV B2