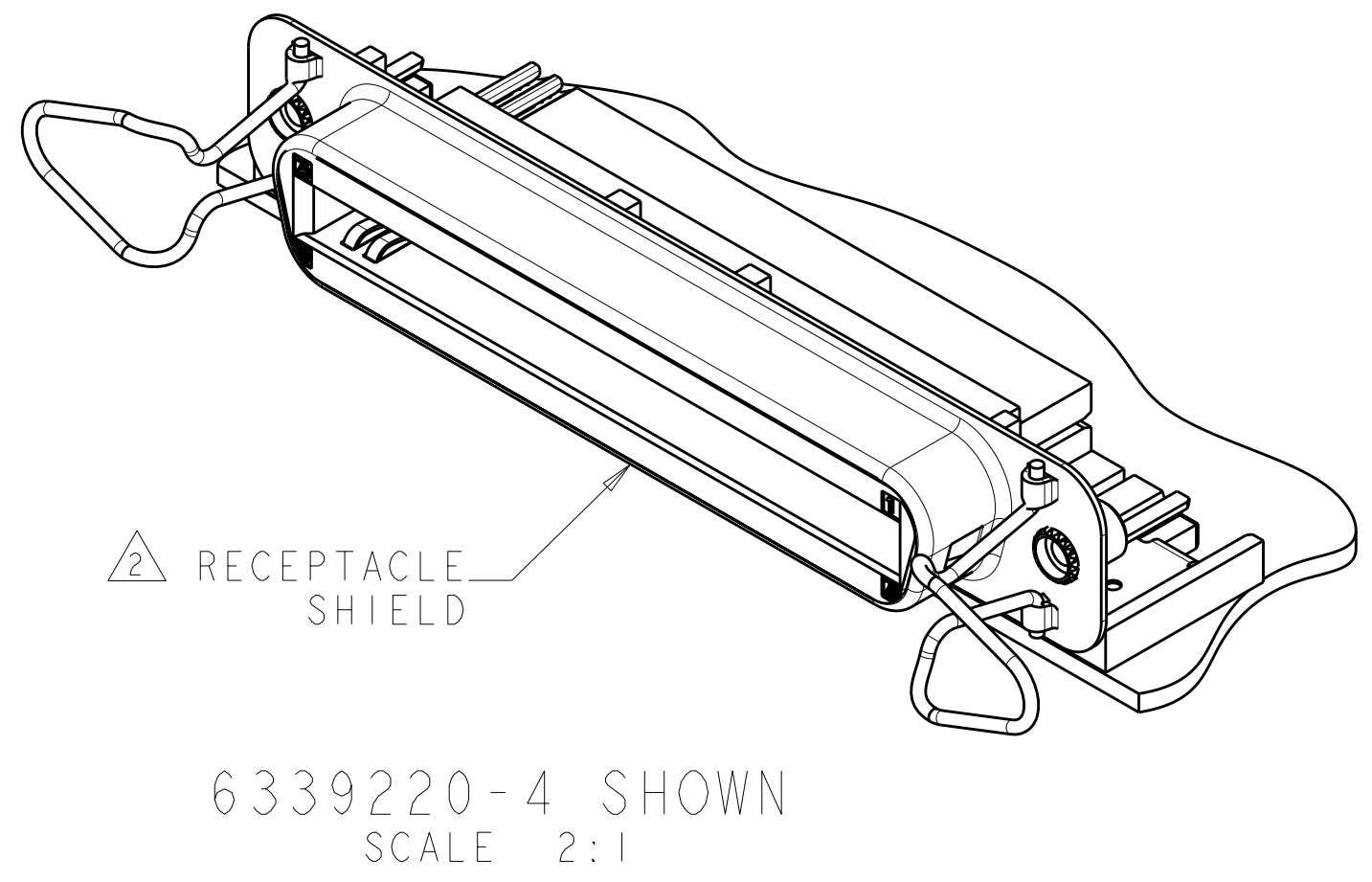
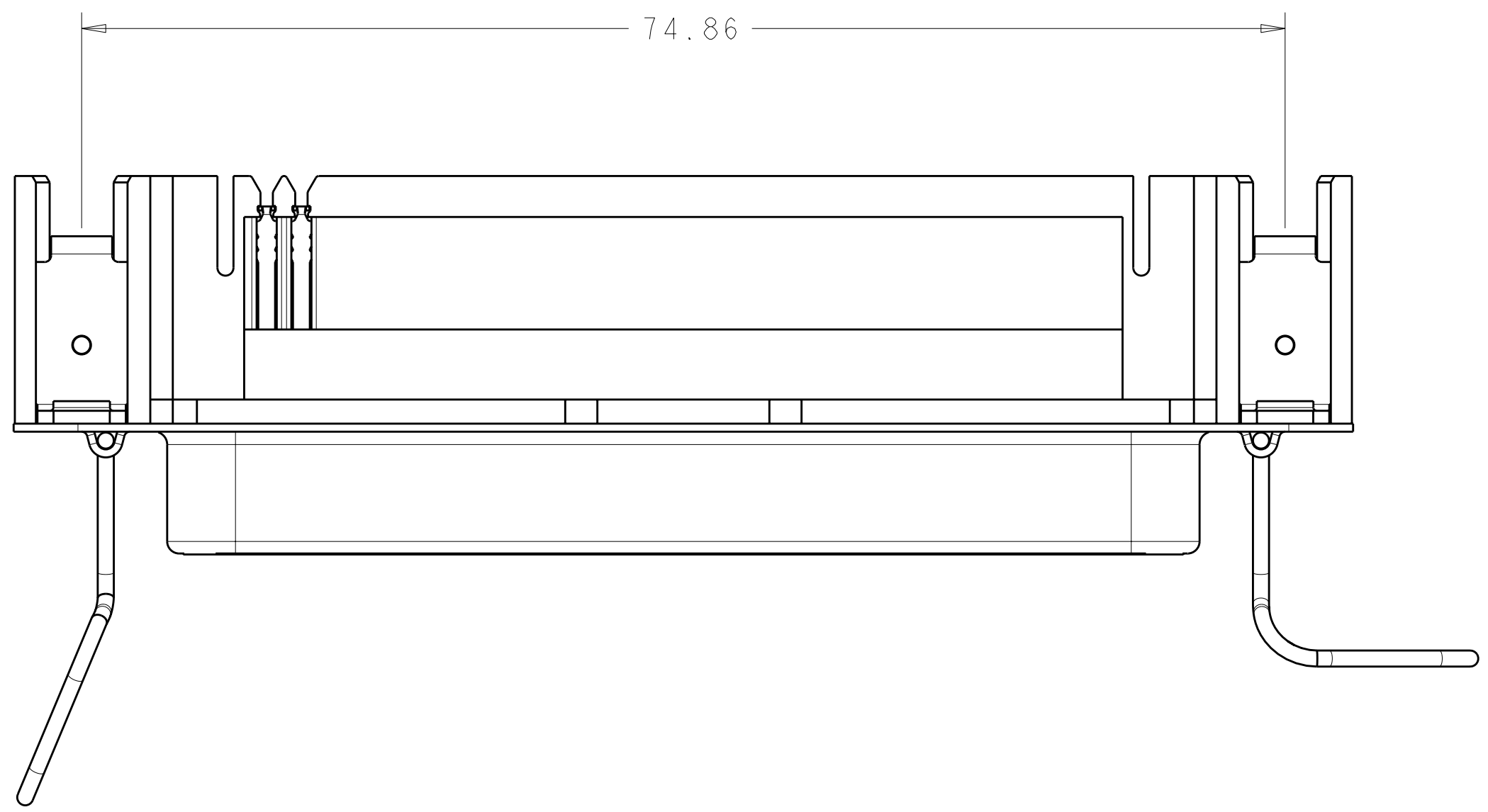
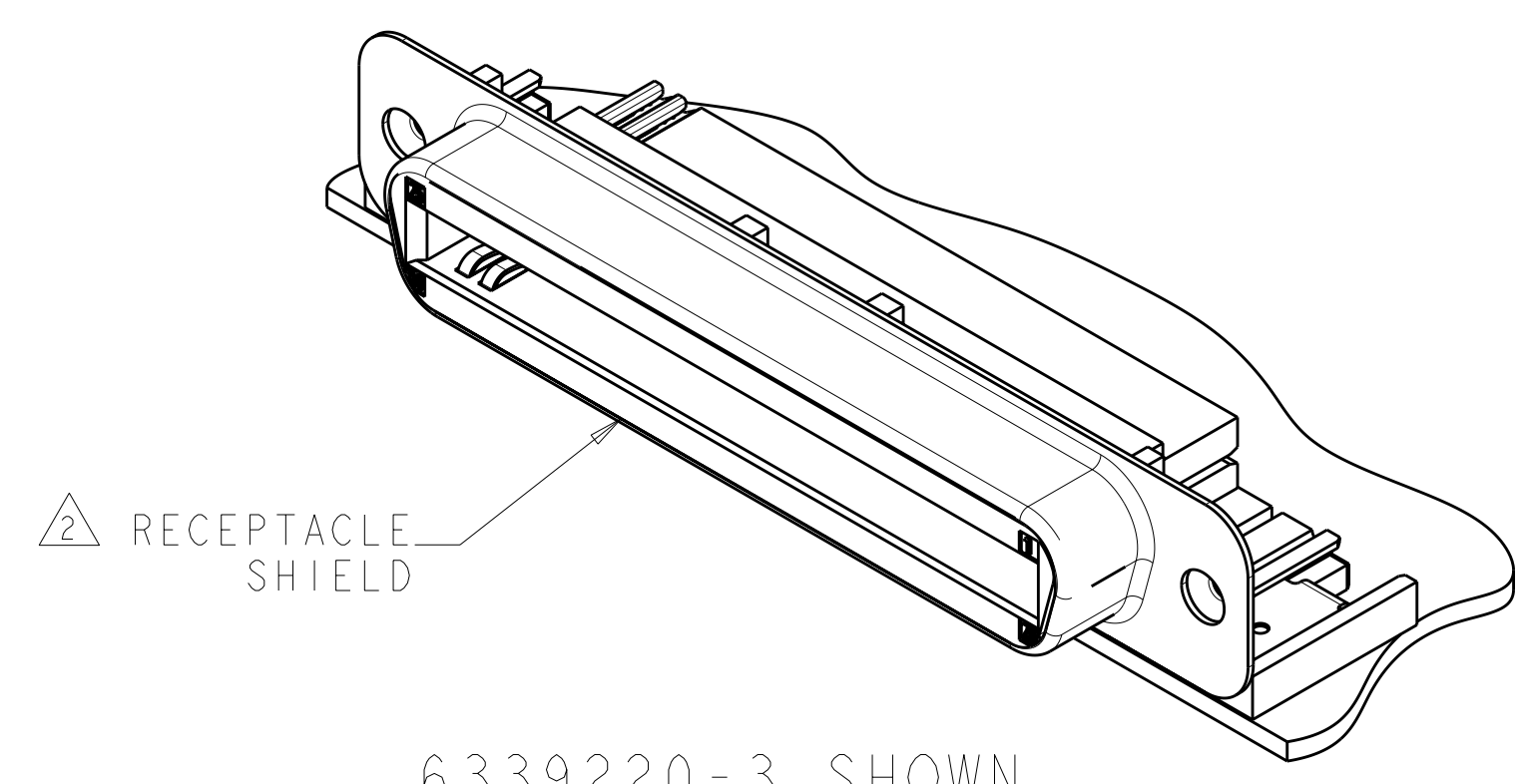
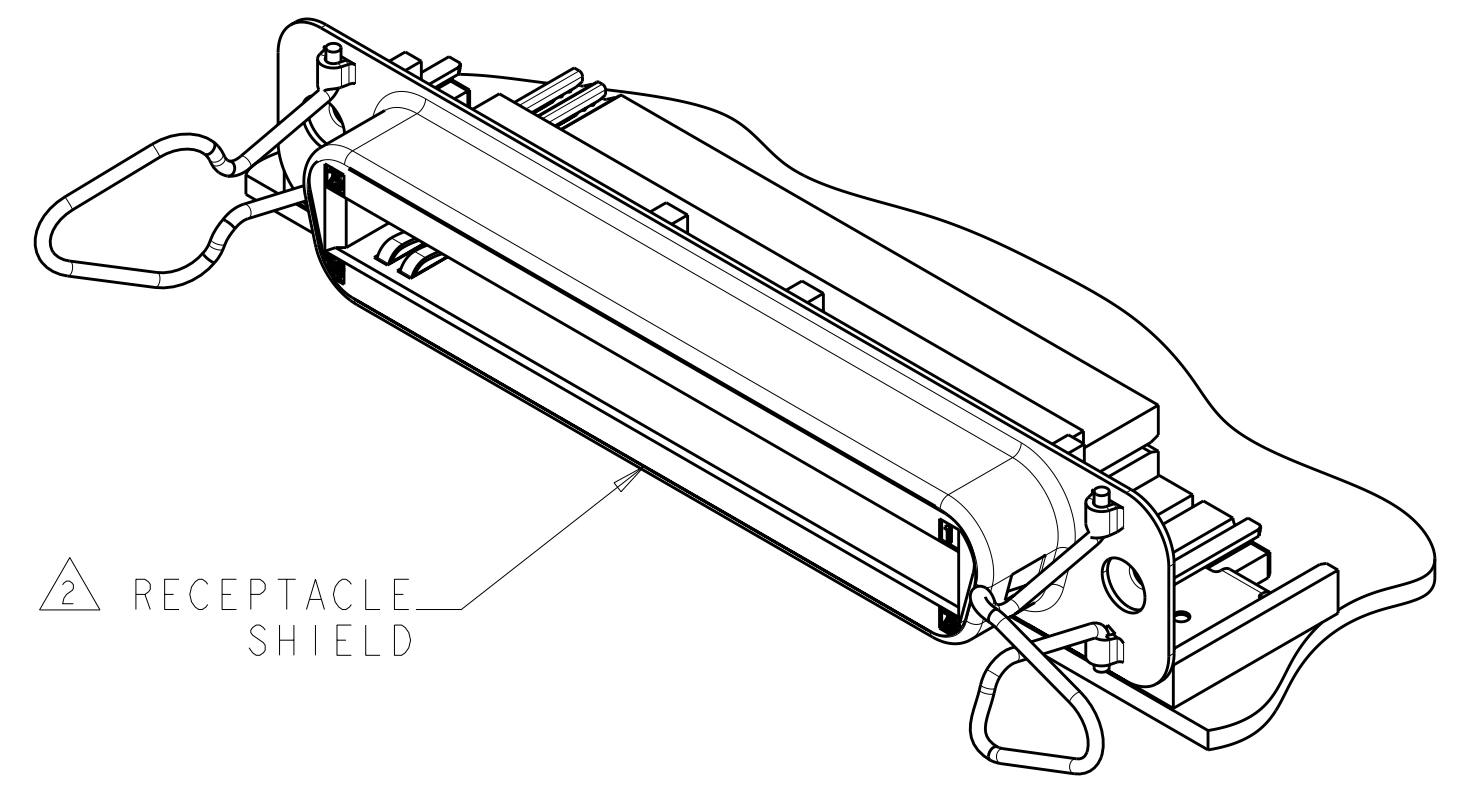
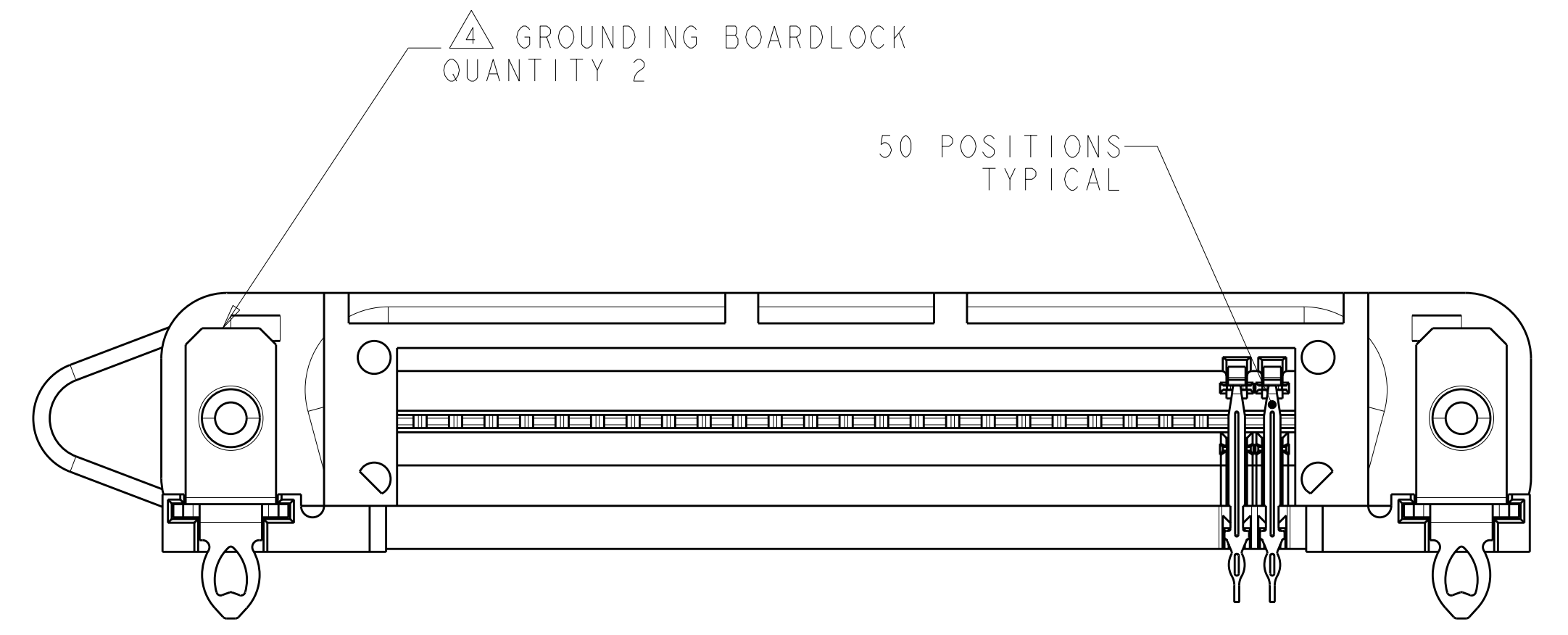
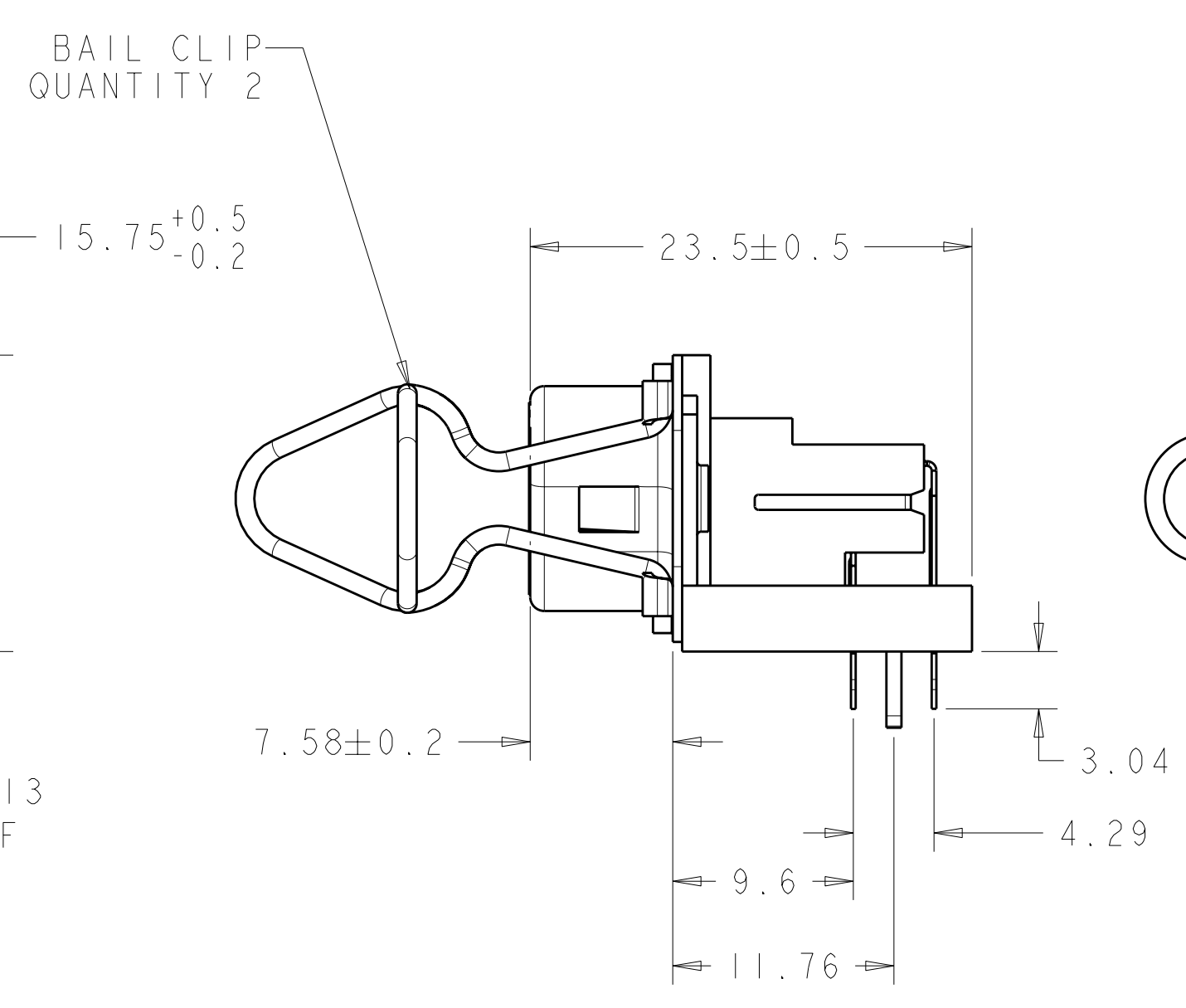
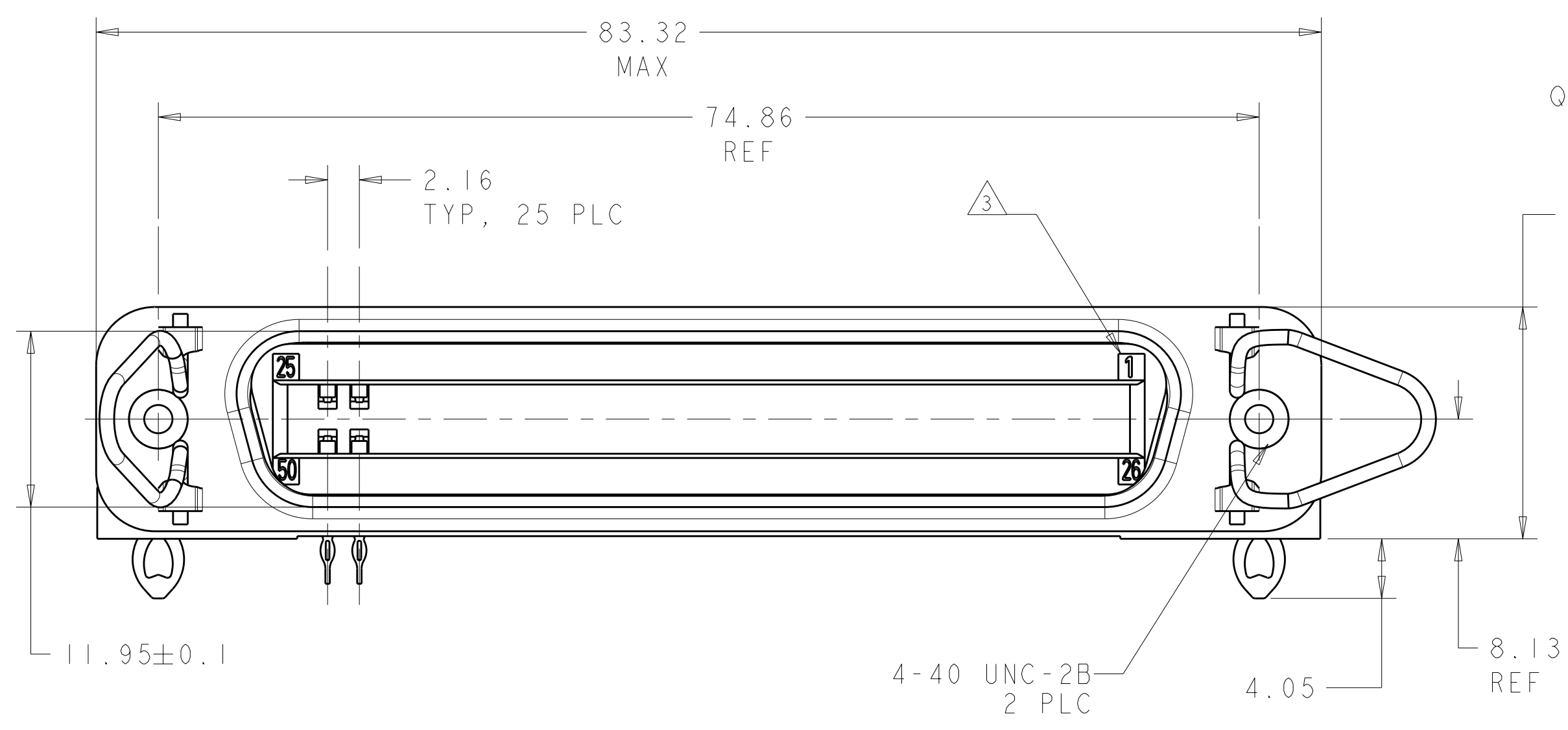


LOC	DIST	REVISIONS					
GP	00	P	LTN	DESCRIPTION	DATE	DWN	APVD
		0		RELEASED PER EC 0513-0542-04	06SEP05	JG	WM
		01		REVISED PER ECO-09-025699	12DEC09	WK	AEQ



- 1 MATERIAL:  
HOUSING - 94V0 GLASS FILLED PBT, BLACK.  
BAIL CLIPS - PASSIVATED STAINLESS STEEL.  
SHIELD - NICKEL PLATED CARBON STEEL.  
TERMINAL - HIGH STRENGTH COPPER ALLOY. CONTACT AREA SELECTIVELY PLATED WITH .76um GOLD EYE OF NEEDLE SELECTIVELY PLATED WITH TIN NICKEL UNDERPLATE OVER ENTIRE CONTACT.
- 2 BOARDLOCK - BRASS, TIN PLATING WITH NICKEL UNDERPLATE.
- 3 SHIELD IS ASSEMBLED TO RECEPTACLE ASSEMBLY BEFORE SHIPMENT.
- 4 TERMINAL #1 LOCATED IN THIS ROW FOR STANDARD ORIENTATION.
- 5 GROUNDING BOARDLOCK RETAINS CONNECTOR IN 1.57mm THICK PC BOARD WITHOUT ADDITIONAL HARDWARE.
- 6 CHAMP SEATING TOOL P/N 1338878-1 OR EQUIVALENT REQUIRED TO INSERT CONNECTOR INTO PCB. FOLLOW INSTRUCTION SHEET 408-8329.
- 7 OBSOLETE PARTS: OBSOLETE CIS STREAMLINING PER D.RENAUD/D.SINISI

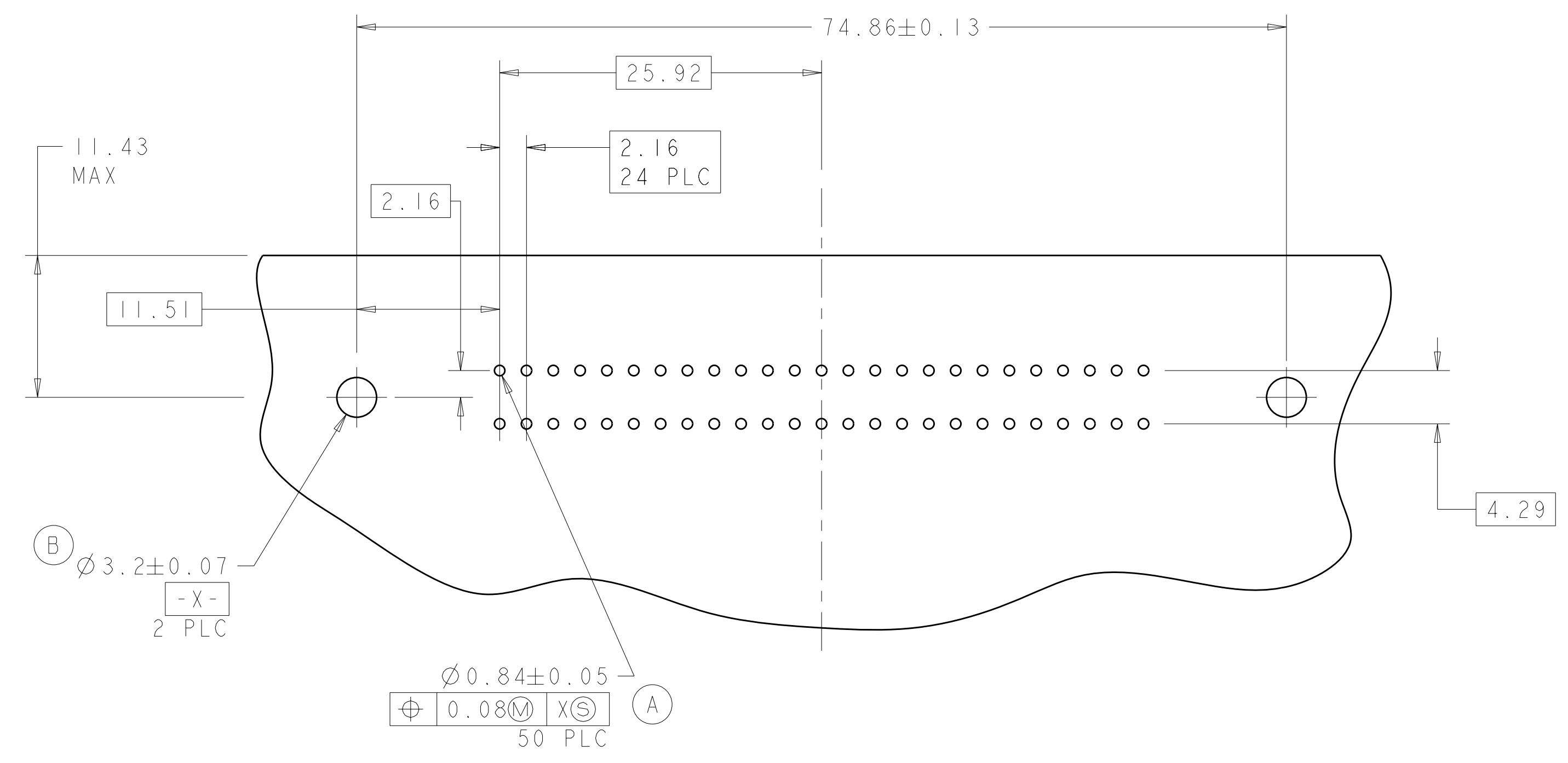


**COPYRIGHT 2005  
 ALL RIGHTS RESERVED  
 TYCO ELECTRONICS CORP**

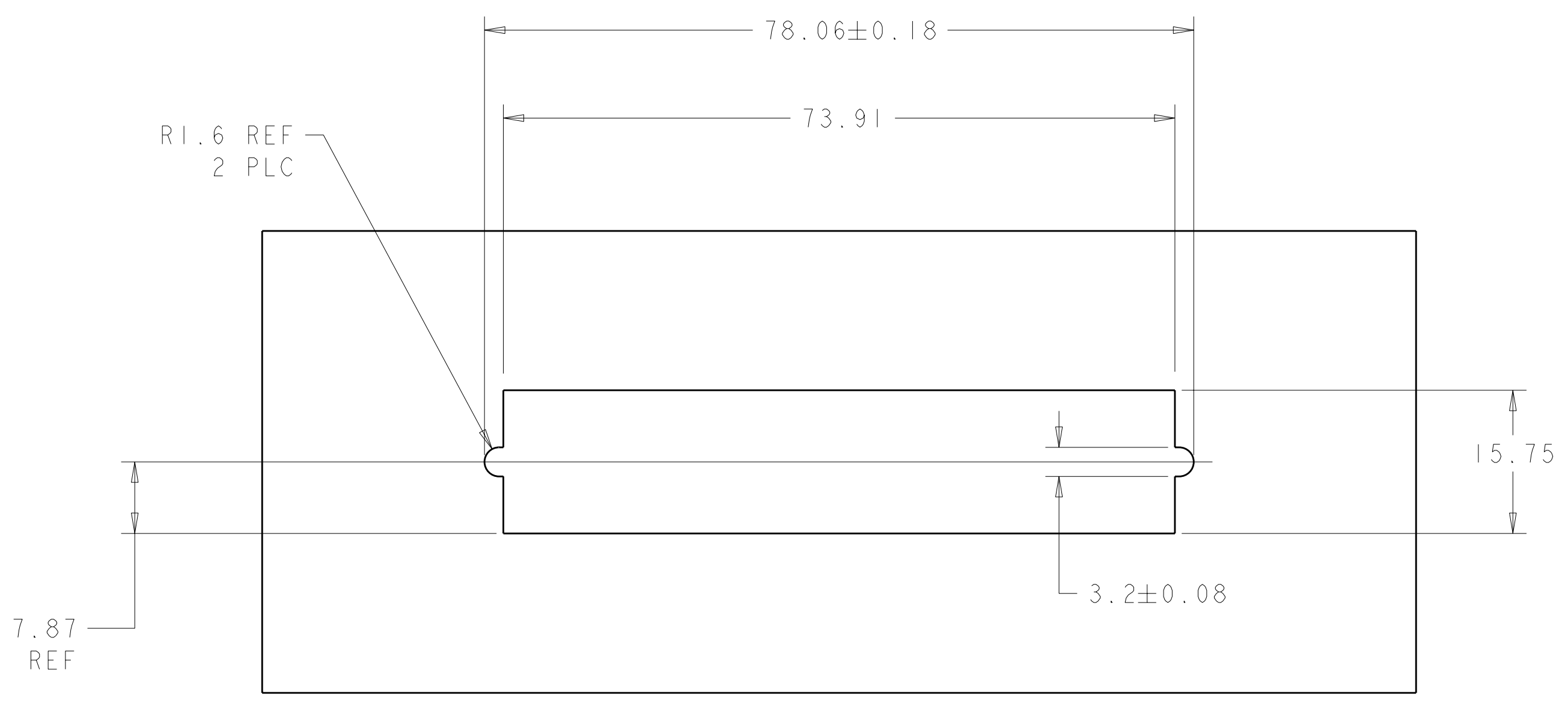
6	OBSOLETE	YES	6339220-4
		NO	6339220-3
6	OBSOLETE	YES	6339220-1
			BAIL LOCKS PART NUMBER

DIMENSIONS: mm		TOLERANCES UNLESS OTHERWISE SPECIFIED: 9 PLC ±.13 1 PLC ±0.13 2 PLC ±0.13 3 PLC ±0.13 4 PLC ±.13 ANGLES ±° FINISH		DWN J GERACE 06SEP05 CHK W MILLHIMES 06SEP05 APVD M WALMSLEY 06SEP05 NAME RECEPTACLE ASSEMBLY, SHIELDED, 50 POSITION, RIGHT ANGLE, CHAMP, EYE OF NEEDLE WITH BOARDLOCK GROUND PRODUCT SPEC 108-1960 APPLICATION SPEC SIZE CAGE CODE DRAWING NO. RESTRICTED TO A100779C=6339220 WEIGHT CUSTOMER DRAWING		AMP Incorporated Harrisburg, PA 17105-3608 Tyco Electronics	
SCALE 3:1		SHEET 1 OF 2		REV 01			

LOC	DIST	REV	DATE	BY	APPD
GP	00	0			
DESCRIPTION			DATE	BY	APPD
SEE SHEET 1			-	-	-



SUGGESTED PRINTED CIRCUIT BOARD MOUNTING DIMENSIONS



SUGGESTED PANEL CUTOUT DIMENSIONS

RECOMMENDED SPECIFICATIONS FOR PLATED THROUGH HOLES

ID	DRILL SIZE	DRILLED HOLE DIAMETER	CU PLATING THICKNESS	SN/PB PLATING THICKNESS	HOLE DIAMETER AFTER PLATING	CU HARDNESS (KNOOP)
A	0.98 OR NO. 62	0.97	0.03-0.05	0.0076-0.03	0.79-0.89	150 MAX
B	3.3 OR NO. 30	3.3	0.03-0.05	0.0076-0.03	3.13-3.27	150 MAX

**COPYRIGHT 2005  
 ALL RIGHTS RESERVED  
 TYCO ELECTRONICS CORP**

<small>THIS DRAWING IS UNPUBLISHED. RELEASED FOR PUBLICATION 2005 BY TYCO ELECTRONICS CORPORATION. ALL INTERNATIONAL RIGHTS RESERVED. THIS DRAWING IS SUBJECT TO CHANGE WITHOUT NOTICE AND WITHOUT OBLIGATION. SHOULD BE CONTACTED FOR THE LATEST REVISION.</small>		DWN: J. GERACE 06SEP05 CHK: W. MILLHIMES 06SEP05 APPD: M. WALMSLEY 06SEP05	Tyco Electronics AMP Incorporated Harrisburg, PA 17105-3608
DIMENSIONS: mm 	TOLERANCES UNLESS OTHERWISE SPECIFIED: 0 PLC ± 1 PLC ±0.13 2 PLC ±0.13 3 PLC ±0.13 4 PLC ± ANGLES ± FINISH ±	NAME: RECEPTACLE ASSEMBLY, SHIELDED, 50 POSITION, RIGHT ANGLE, CHAMP, EYE OF NEEDLE WITH BOARDLOCK GROUND PRODUCT SPEC: 108-1960 APPLICATION SPEC:	SIZE: A100779 CAGE CODE: C-6339220 DRAWING NO:
MATERIAL: -	FINISH: -	WEIGHT: -	SCALE: 3:1 SHEET 2 OF 2 REV: 01