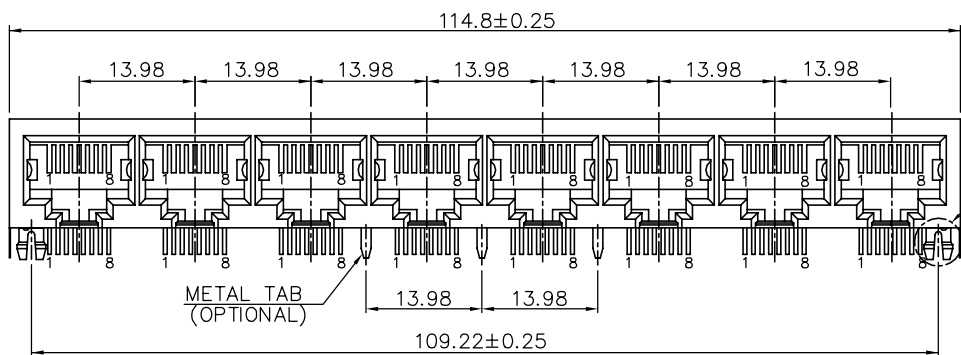
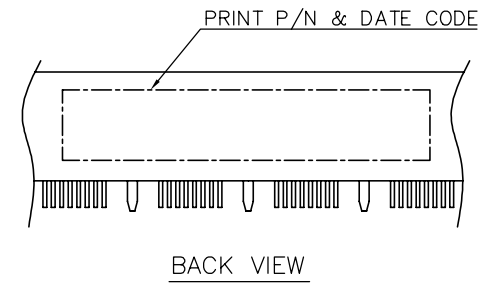
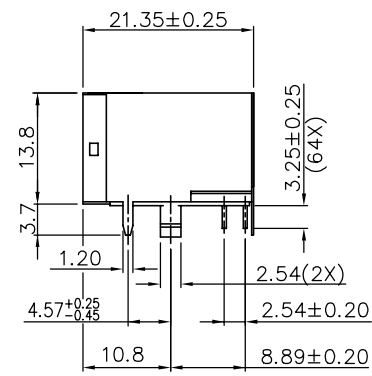


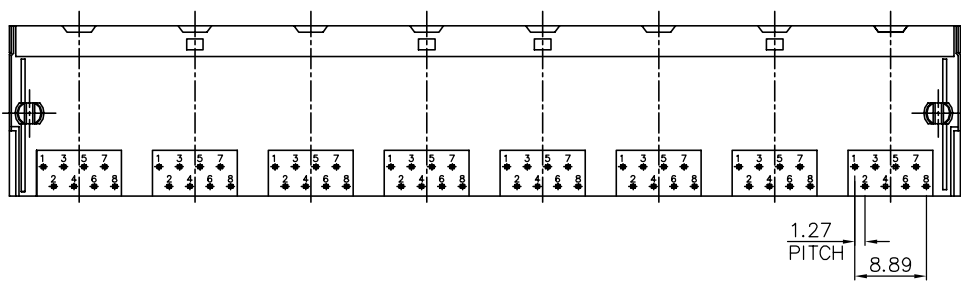
DETAIL X



DETAIL X



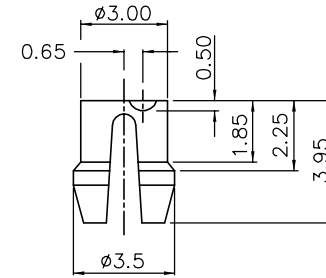
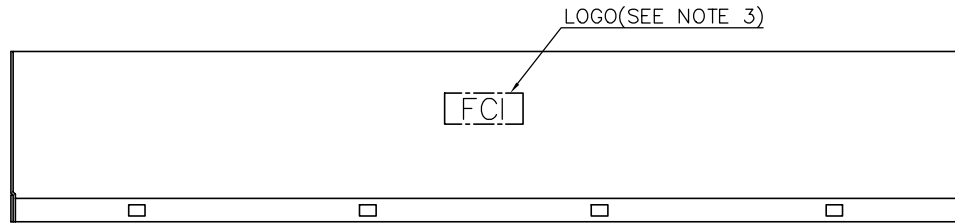
BACK VIEW



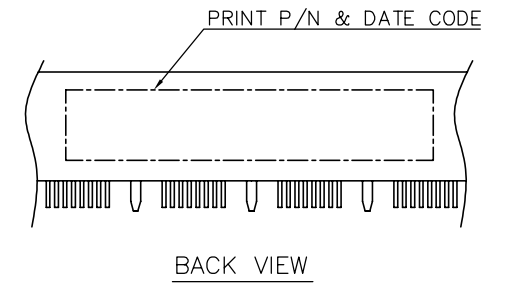
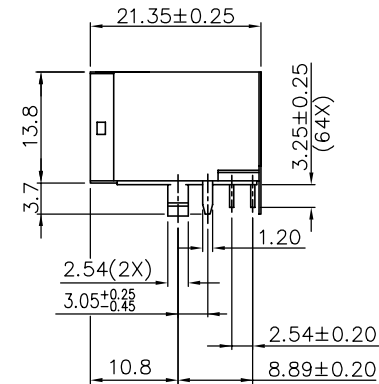
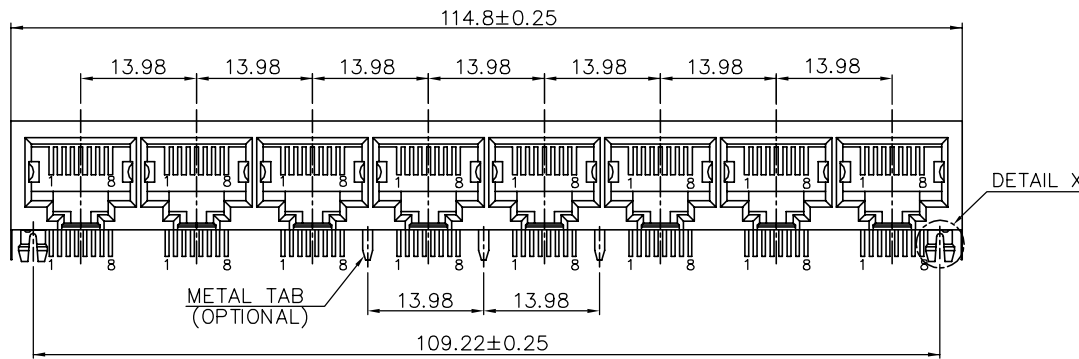
1.27
PITCH
8.89

mat'l. code		surface ASME Y14.5		tolerance ASME Y14.5		projection		product family	
ltr		ecn no		dr		date		GANGED MJACK	
A		WL		11/04/11		11/04/11		title	
								CAT 3 MULTI-PORTS TAB DOWN	
								1x8 WITH SHIELD, W/O LED	
								scale	
								MM	
								[INCH]	
								sheet 1 of 4	
								size	
								A4	
								type	
								CUSTOMER Drawing	
sheet index		revision sheet		A A		A A			
		1 2		3 4					

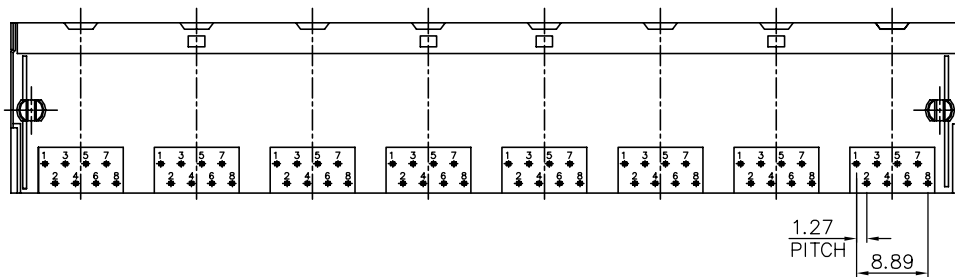




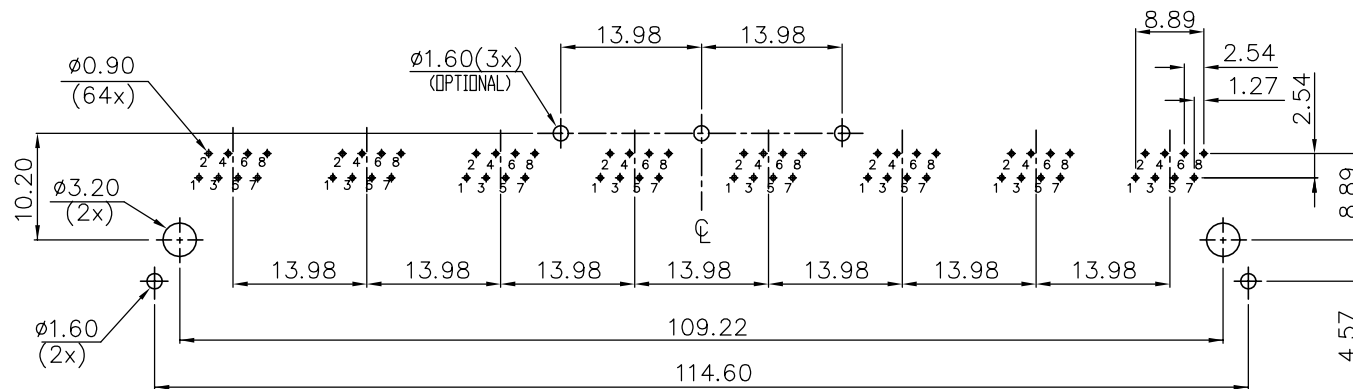
DETAIL X



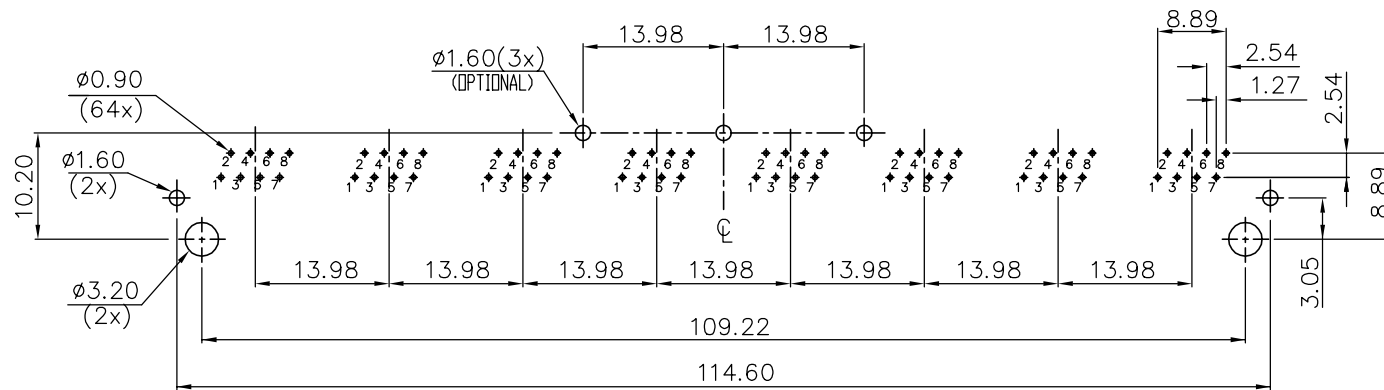
BACK VIEW



mat'l. code		surface ASME Y14.5	tolerance ASME Y14.5	projection MM [INCH]	product family GANGED MJACK	
ltr	ecn no	dr	date	tolerances unless otherwise specified		title CAT 3 MULTI-PORTS TAB DOWN 1x8 WITH SHIELD, W/O LED
A				angles X.X±0.25	MM [INCH]	dwg no 10118064 sheet 2 of 4 size A4
				X°±1'	scale	
		dr	WENDY CHEN	05/03/11		type CUSTOMER Drawing
		enr	WENDY CHEN	05/03/11		
		chr	WENDY CHEN	05/03/11		
		appd	GARY HSIEH	05/03/11		
sheet index	revision sheet					



RECOMMENDED PCB LAYOUT
 RECOMMENDED PCB THICKNESS: 1.6mm
 TOLERANCE: ±0.05 (TOP VIEW)



RECOMMENDED PCB LAYOUT
 RECOMMENDED PCB THICKNESS: 1.6mm
 TOLERANCE: ±0.05 (TOP VIEW)

mat'l. code		surface ASME Y14.5 ✓		tolerance ASME Y14.5		projection ⊕		product family GANGED MJACK	
ltr	ecn no	dr	date	tolerances unless otherwise specified		MM [INCH]		title CAT 3 MULTI-PORTS TAB DOWN 1x8 WITH SHIELD, W/O LED	
A				angles	⊕	scale		dwg no 10118064	
				X°±1'	X.X±0.25			sheet 3 of 4	
					X.XX±0.13			size A4	
					X.XXX±0.05			type CUSTOMER Drawing	
				dr	WENDY CHEN	05/03/11			
				enr	WENDY CHEN	05/03/11			
				chr	WENDY CHEN	05/03/11			
				appd	GARY HSIEH	05/03/11			
sheet index	revision sheet								

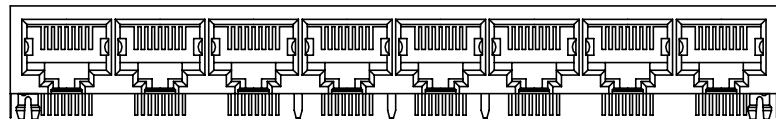
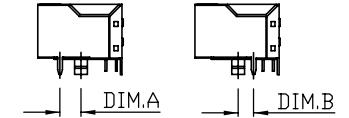
NOTE:

1. MATERIAL:
HOUSING: HIGH TEMPERATURE THERMOPLASTIC, UL94V-0
COLOR: BLACK.
CONTACTS: COPPER ALLOY.
SHIELD: COPPER ALLOY.
2. FINISH:
CONTACTS: 50u" MIN. NICKEL UNDER PLATED OVER ALL.
SELECTIVE GOLD PLATED ON CONTACT AREA,
1u" GOLD PLATED ON SOLDER TAIL.
SHIELD: 20u" MIN. NICKEL OVER ALL.
3. LASER MARK FCI LOGO ON THE TOP OF SHIELD.
4. "DATE CODE" DESCRIPTION:

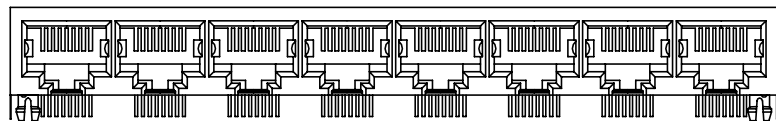
XX	XX	
		WEEK
		YEAR (EX. : 10--2010)
5. PRODUCT PERFORMANCE PER SPEC. : GS-12-0990.
6. PACKING SPEC. : GS-14-2170.
7. THIS PRODUCT MEETS THE EUROPEAN UNION DIRECTIVE AS DESCRIBED IN GS-22-008.
8. THE HOUSING WILL WITHSTAND EXPOSURE TO 260°C PEAK TEMPERATURE FOR 5 SECONDS IN A WAVE SOLDER APPLICATION WITH A CIRCUIT BOARD.

9. PART NUMBER DESCRIPTION:

- 10118064-X X X X X X X LF
- X : LEAD FREE
 - 0 : RESERVED (NOT USED)
 - X : PACKAGING
 - 1 : TRAY
 - X : OPTIONAL BACK SHIELD TAB
 - 0 : WITHOUT BACK SHIELD TAB
 - 3 : WITH 3 BACK SHIELD TABS
 - X : OPTIONAL RIGHT / LEFT SHIELD TAB
 - 1 : DIM.A=4.57
 - 5 : DIM.B=3.05
 - X : OPTIONAL PANEL GROUND
 - 0 : WITHOUT PANEL GROUND
 - X : LED COLOR
 - 0 : WITHOUT LED
 - X : CONTACT AREA PLATING
 - 1 : 15u" GOLD PLATING
 - 2 : 30u" GOLD PLATING
 - 5 : 1u" GOLD FLASH PLATING



10118064-XXXX3XXLF
WITH 3 BACK SHIELD TABS



10118064-XXXX0XXLF
WITHOUT BACK SHIELD TAB

mat'l. code		surface ASME Y14.5 ✓	tolerance ASME Y14.5	projection ⊕	product family GANGED MJACK
ltr	ecn no	dr	date	tolerances unless otherwise specified	title CAT 3 MULTI-PORTS TAB DOWN 1x8 WITH SHIELD, W/O LED
A				angles X.X±0.25 X.XX±0.13 X*±1*	
				scale MM [INCH]	dwg no 10118064 sheet 4 of 4 size A4
				dr WENDY CHEN 05/03/11 enr WENDY CHEN 05/03/11 chr WENDY CHEN 05/03/11 appd GARY HSIEH 05/03/11	
sheet index	revision sheet				type CUSTOMER Drawing