

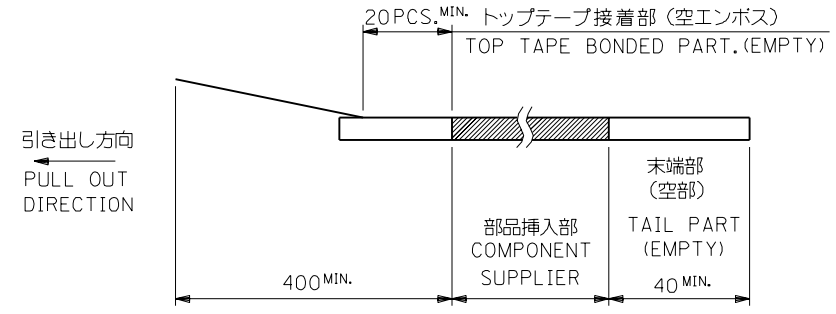
DETAIL "F"

5. 材料  
 キャリアテープ: ポリプロピレン (PP)  
 トップテープ: PET, PE, PEF  
 リール: ポリスチレン (PS) <リサイクル材を含む>

MATERIAL CARRIER TAPE: POLYPROPYLENE  
 TOP TAPE: PET, PE, PEF  
 REEL: POLYSTYREN (PS)  
 <RECYCLE MATERIAL CONTAINED>

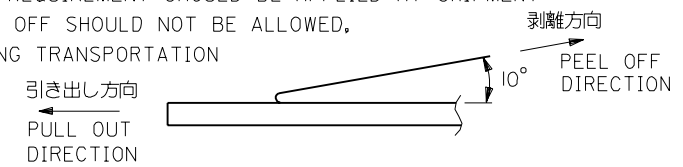
注記 NOTES

- 製品番号 52559-\*\*-17 の梱包状態はアクチュエータがロックした状態とする。  
 詳細寸法については図面 SD-52559-\*\*-17 を参照下さい。  
 IN THE PACKAGE, ACTUATOR OF PART NO.52559-\*\*-17 SHOULD BE LOCKED RE DETAILED DIMENSIONS, SEE SD-52559-\*\*-17
- 梱包数量: 1000個/リール  
 NUMBER OF CONNECTORS: 1000PCS/REEL
- リードテープ長さ LEAD TAPE LENGTH



- トップテープの剥離強度: (剥離方向は下図参照)  
 0.1N~0.7N (10.2gf~71.4gf) 尚、本規格値は、出荷時に適用。  
 (但し、輸送時に剥離が発生しない事。)

PEELING OFF FORCE OF TOP TAPE  
 0.1N~0.7N(10.2gf~71.4gf)(PEELING DIRECTION AS SHOWN IN FOLLOWING FIG.)  
 THIS REQUIREMENT SHOULD BE APPLIED AT SHIPMENT  
 PEEL OFF SHOULD NOT BE ALLOWED,  
 DURING TRANSPORTATION



|                            |                  |                  |                         |            |                                 |   |       |
|----------------------------|------------------|------------------|-------------------------|------------|---------------------------------|---|-------|
| J                          | 変更<br>REVISED    | 更<br>UC2001-0478 | 1/5                     | 00/12/20   | 材料<br>注記参照<br>SEE NOTES         | molex MOLEX-JAPAN CO.,LTD.<br>日本モレックス株式会社 |       |
| H                          | 変更<br>REVISED    | 更<br>UC2000-0714 | 1/5                     | 00/4/28    |                                 |   |       |
| G                          | 変更<br>REVISED    | 更<br>JC60667)    | 1/5                     | 96/3/19    |                                 |   |       |
| F                          | 変更<br>REVISED    | 更<br>(JC60029)   | 1/5                     | 95/7/14    |                                 |   |       |
| E                          | 変更<br>REVISED    | 更<br>(J50341)    | 1/5                     | 95/5/25    |                                 |   |       |
| D                          | 変更<br>REVISED    | 更<br>(J40781)    | 1/5                     | 94/9/26    |                                 |   |       |
| C                          | 変更<br>REVISED    | 更<br>(J40605)    | 1/5                     | 94/7/26    | 仕上げ<br>FINISH                   | — / —                                     |       |
| B                          | 変更<br>REVISED    | 更<br>(J40568)    | 1/5                     | 94/7/15    | 適用電線範囲<br>WIRE RANGE            | — / —                                     |       |
| A                          | 変更<br>REVISED    | 更<br>(J40267)    | 1/5                     | 94/4/1     | 被覆外径<br>INS. RANGE              | — / —                                     |       |
| O                          | 新規作成<br>PROPOSED | 新<br>(J31169)    | 1/5                     | 93/11/12   | DRAWN BY '93/11/12<br>M.SHIMIZU | CHK'D BY '00/12/20<br>S.KUNISHI           |       |
| 一般公差<br>GENERAL TOLERANCES |                  | 記号<br>LTR        | 変更内容<br>REVISION RECORD | DR.<br>CHK | 日付<br>DATE                      | 尺度<br>SCALE                               | — / — |

DIMENSIONS IN METRIC DO NOT SCALE DRAWING

5255992.S07

DWG. NO.  
SD-52559-\*\*-92

E

D

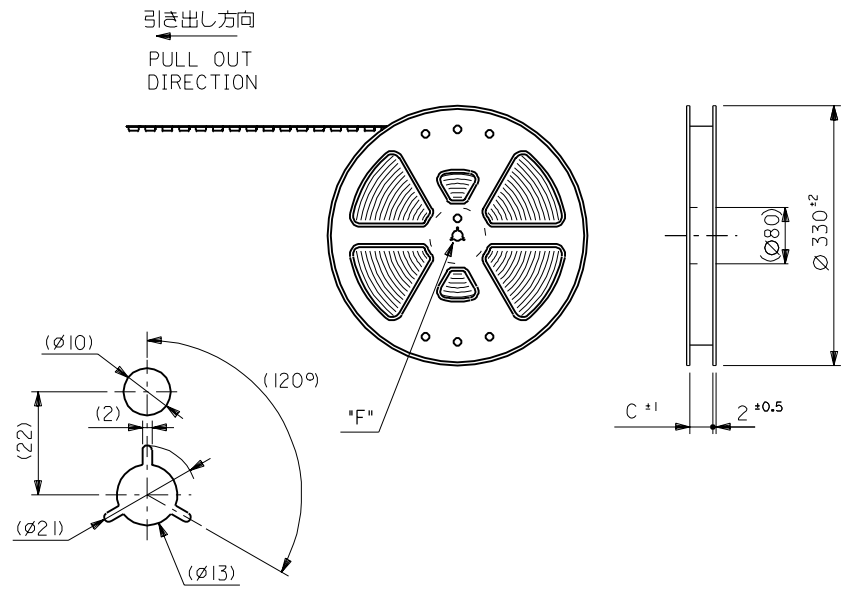
C

B

A

DIMENSIONS IN METRIC DO NOT SCALE DRAWING

8 7 6 5 4 3 2 1



DETAIL "F"

5. 材料

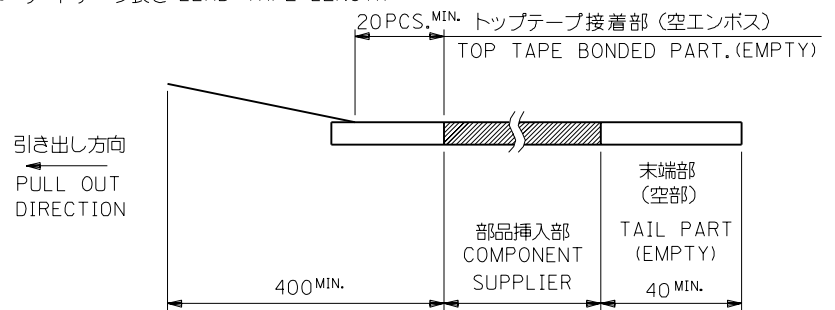
キャリアテープ:ポリプロピレン (PP)  
 トップテープ: PET, PE, PEF  
 リール: ポリスチレン (PS) <リサイクル材を含む>

MATERIAL CARRIER TAPE:POLYPROPYLENE  
 TOP TAPE:PET,PE,PEF  
 REEL:POLYSTYREN(PS)  
 <RECYCLE MATERIAL CONTAINED>

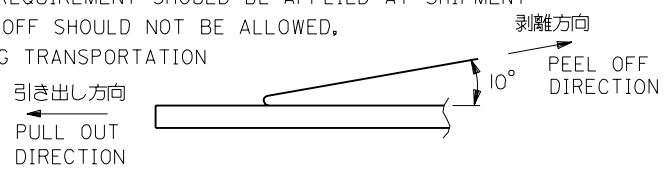
|                         |       |
|-------------------------|-------|
| 角度 ANGLE                | ±3°   |
| 30 以上                   | ±0.5  |
| 10 以上 30 未満             | ±0.25 |
| 10 未満                   | ±0.2  |
| 一般公差 GENERAL TOLERANCES |       |

注記 NOTES

- 製品番号 52559-\*\*-17 の梱包状態はアクチュエータがロックした状態とする。  
 詳細寸法については図面 SD-52559-\*\*-17 を参照下さい。  
 IN THE PACKAGE,ACTUATOR OF PART NO.52559-\*\*-17 SHOULD BE LOCKED RE DETAILED DIMENSIONS,SEE SD-52559-\*\*-17
- 梱包数量: 1000個/リール  
 NUMBER OF CONNECTORS:1000PCS/REEL
- リードテープ長さ LEAD TAPE LENGTH



- トップテープの剥離強度: (剥離方向は下図参照)  
 0.1N~0.7N(10.2gf~71.4gf)尚、本規格値は、出荷時に適用。  
 (但し、輸送時に剥離が発生しない事。)  
 PEELING OFF FORCE OF TOP TAPE  
 0.1N~0.7N(10.2gf~71.4gf)(PEELING DIRECTION AS SHOWN IN FOLLOWING FIG.)  
 THIS REQUIREMENT SHOULD BE APPLIED AT SHIPMENT  
 PEEL OFF SHOULD NOT BE ALLOWED,  
 DURING TRANSPORTATION



|   |      |             |          |          |
|---|------|-------------|----------|----------|
| J | 変更   | JC2001-0478 | M.S.H.A. | 00/12/20 |
| H | 変更   | JC2000-0714 | M.S.H.A. | 00/4/28  |
| G | 変更   | JC60667     | M.S.H.A. | 96/3/19  |
| F | 変更   | JC60029     | M.S.H.A. | 95/7/14  |
| E | 変更   | (J5034)     | M.S.H.A. | 95/5/25  |
| D | 変更   | (J4078)     | M.S.H.A. | 94/9/26  |
| C | 変更   | (J40605)    | M.S.H.A. | 94/7/26  |
| B | 変更   | (J40568)    | M.S.H.A. | 94/7/16  |
| A | 変更   | (J40267)    | M.S.H.A. | 94/4/1   |
| O | 新規作成 | (J31169)    | M.S.H.A. | 93/11/12 |

|                                |                              |
|--------------------------------|------------------------------|
| 材料 MATERIAL                    | 注記参照 SEE NOTES               |
| 仕上げ FINISH                     | ---                          |
| 適用電線範囲 WIRE RANGE              | ---                          |
| 被覆外径 INS. RANGE                | ---                          |
| DRAWN BY '93/11/12 M.SHIMIZU   | CHK'D BY '00/12/20 S.KUNISHI |
| APP'D BY '00/12/20 M.FUKUSHIMA | 尺度 SCALE ---                 |

|   |   |
|---|---|
| MOLEX-JAPAN CO.,LTD.<br>日本モレックス株式会社     |   |
| REVISE ONLY ON CAD SYSTEM               |   |
| TITLE 名称                                |   |
| 0.5 FPC Conn Assy ZIF SMT ST Embstp Pkg |   |
| DWG. NO. (SHEET 1 OF 4) REV             | J |
| SD-52559-**-92                          |   |

THIS DRAWING CONTAINS INFORMATION THAT IS PROPRIETARY TO MOLEX(JAPAN) AND SHOULD NOT BE USED WITHOUT WRITTEN PERMISSION  
 本図面は日本モレックス(株)の所有する情報を含むもので 当社の許可なく複製を禁止する。  
 EN-OIC(032)MXJ-32

8 7 6 5 4 3 2 1

F

E

D

C

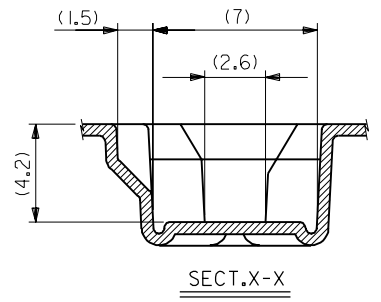
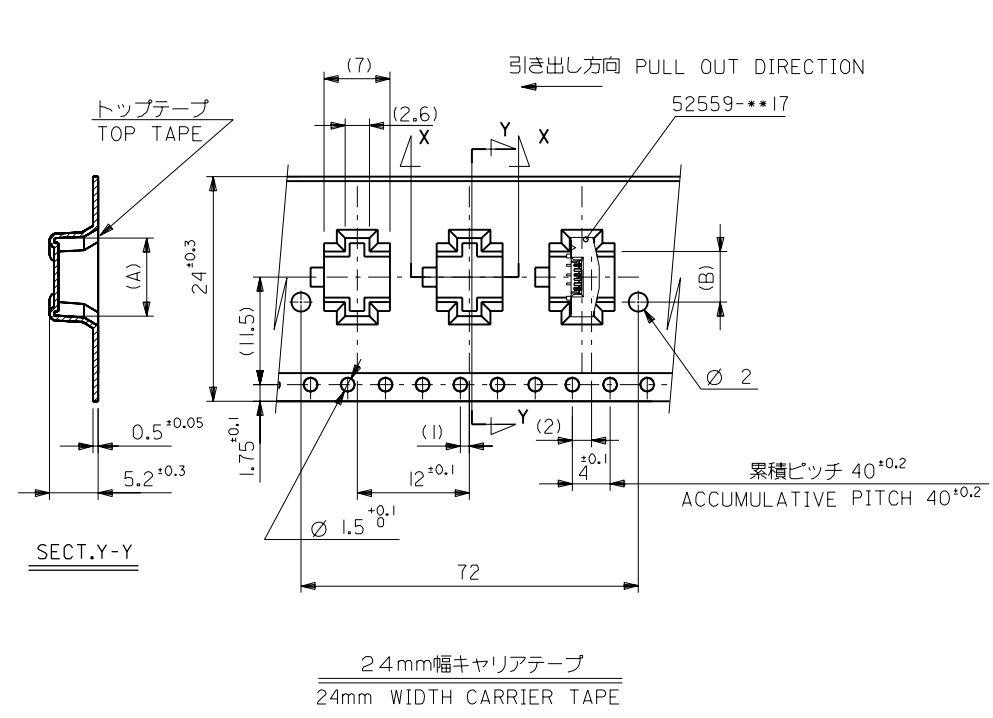
B

A

5255992.S07

DWG. NO. SD-52559-\*\*\*92

ALL DIMENSIONS IN METRIC DO NOT SCALE DRAWING



|                                |      |            |      |            |               |
|--------------------------------|------|------------|------|------------|---------------|
| 24                             | 25.5 | 14.4       | 17.3 | 52559-2492 | 24            |
|                                |      | 12.9       | 15.8 | 52559-2192 | 21            |
|                                |      | 12.4       | 15.3 | 52559-2092 | 20            |
|                                |      | 10.9       | 13.8 | 52559-1792 | 17            |
|                                |      | 10.4       | 13.3 | 52559-1692 | 16            |
|                                |      | 9.9        | 12.8 | 52559-1592 | 15            |
|                                |      | 9.4        | 12.3 | 52559-1492 | 14            |
|                                |      | 8.4        | 11.3 | 52559-1292 | 12            |
|                                |      | 7.4        | 10.3 | 52559-1092 | 10            |
|                                |      | 6.9        | 9.8  | 52559-0992 | 9             |
| 5.4                            | 8.3  | 52559-0692 | 6    |            |               |
| キャリアテープ幅<br>CARRIER TAPE WIDTH |      | C          | (B)  | (A)        | 極数<br>CIRCUIT |

|   |               |                  |           |
|---|---------------|------------------|-----------|
| J | 変更<br>REVISED | 更<br>UC2001-0478 | 100/12/20 |
| H | 変更<br>REVISED | 更<br>UC2000-0714 | 100/4/28  |

|                            |       |       |
|----------------------------|-------|-------|
| 角度                         | ANGLE | ±3°   |
| 30以上                       | OVER  | +0.3  |
| 10以上 30未満                  | UNDER | +0.25 |
| 10未満                       | UNDER | +0.2  |
| 一般公差<br>GENERAL TOLERANCES |       |       |

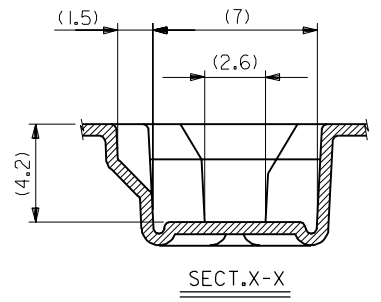
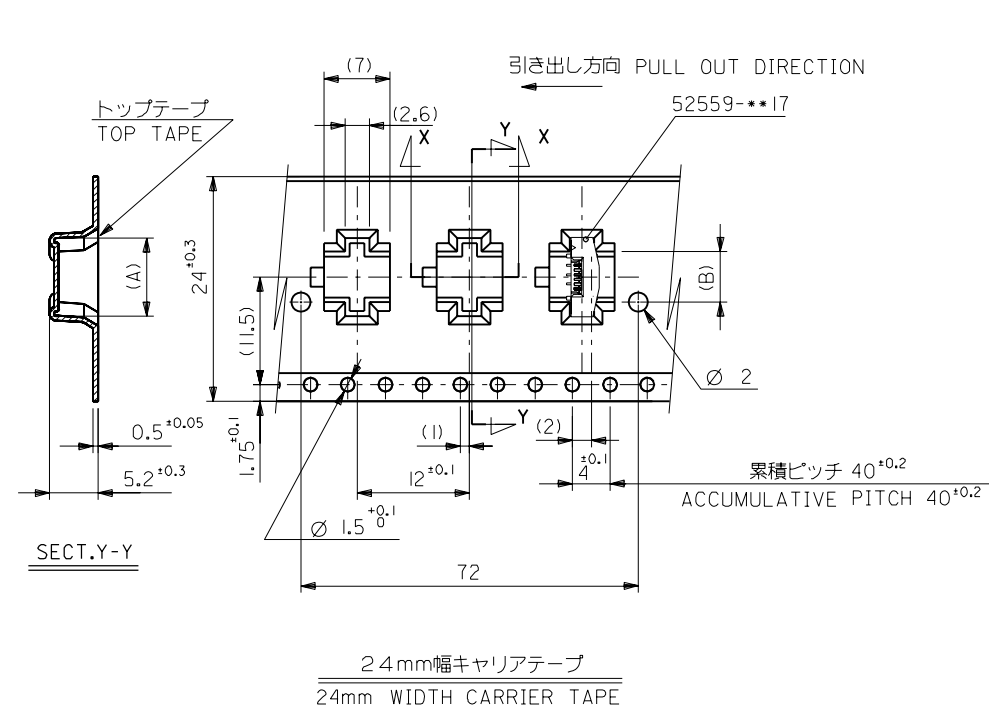
|   |                  |              |          |  |                 |
|---|------------------|--------------|----------|--|-----------------|
| G | 変更<br>REVISED    | 更<br>UC60667 | 96/3/19  | 材料<br>MATERIAL   | SHEET 1 OF 4 参照 |
| F | 変更<br>REVISED    | 更<br>UC60029 | 95/7/14  | REFER TO SHEET 1 OF 4  |                 |
| E | 変更<br>REVISED    | 更<br>J50341  | 95/5/25  | 仕上げ<br>FINISH  | --              |
| D | 変更<br>REVISED    | 更<br>J40781  | 94/9/26  | 適用電線範囲<br>WIRE RANGE   | --              |
| C | 変更<br>REVISED    | 更<br>J40605  | 94/7/26  | 被覆外径<br>INS. RANGE   | --              |
| B | 変更<br>REVISED    | 更<br>J40568  | 94/7/16  | DRAWN BY: '93/11/12 M.SHIMIZU<br>CHK'D BY: '00/12/20 S.KUNISHI |                 |
| A | 変更<br>REVISED    | 更<br>J40267  | 94/4/11  | APP'D BY: '00/12/20 M.FUKUSHIMA<br>尺度 SCALE: --                |                 |
| O | 新規作成<br>PROPOSED | 更<br>J31169  | 93/11/12 | DR. DATE   |                 |

|  |     |
|--|-----|
| MOLEX-JAPAN CO.,LTD.<br>日本モレックス株式会社        |     |
| REVISE ONLY ON CAD SYSTEM                  |     |
| TITLE 名称                                   |     |
| 0.5 FPC Conn Assy ZIF<br>SMT ST Embstp Pkg |     |
| DWG. NO. (SHEET 2 OF 4)                    | REV |
| SD-52559-***92                             | J   |

THIS DRAWING CONTAINS INFORMATION THAT IS PROPRIETARY TO MOLEX(JAPAN) AND SHOULD NOT BE USED WITHOUT WRITTEN PERMISSION  
 本図面は日本モレックス(株)の所有する情報を含むもので 当社の許可なく複製を禁止する。  
 EN-OIC(032)MXJ-32

DWG. NO. SD-52559-\*\*\*92

ALL DIMENSIONS IN METRIC DO NOT SCALE DRAWING



|                                |      |      |      |            |               |
|--------------------------------|------|------|------|------------|---------------|
| 24                             | 25.5 | 14.4 | 17.3 | 52559-2492 | 24            |
|                                |      | 12.9 | 15.8 | 52559-2192 | 21            |
|                                |      | 12.4 | 15.3 | 52559-2092 | 20            |
|                                |      | 10.9 | 13.8 | 52559-1792 | 17            |
|                                |      | 10.4 | 13.3 | 52559-1692 | 16            |
|                                |      | 9.9  | 12.8 | 52559-1592 | 15            |
|                                |      | 9.4  | 12.3 | 52559-1492 | 14            |
|                                |      | 8.4  | 11.3 | 52559-1292 | 12            |
|                                |      | 7.4  | 10.3 | 52559-1092 | 10            |
|                                |      | 6.9  | 9.8  | 52559-0992 | 9             |
|                                |      | 5.4  | 8.3  | 52559-0692 | 6             |
| キャリアテープ幅<br>CARRIER TAPE WIDTH | C    | (B)  | (A)  | ENG. NO.   | 極数<br>CIRCUIT |

|   |               |                  |           |
|---|---------------|------------------|-----------|
| J | 変更<br>REVISED | 更 (J402001-0478) | 100/12/20 |
| H | 変更<br>REVISED | 更 (J402000-0714) | 100/4/28  |

|                         |       |
|-------------------------|-------|
| 角度 ANGLE                | +3°   |
| 30以上 OVER               | +0.3  |
| 10以上 30 UNDER           | +0.25 |
| 10 UNDER                | +0.2  |
| 一般公差 GENERAL TOLERANCES |       |

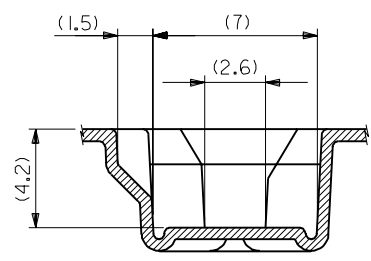
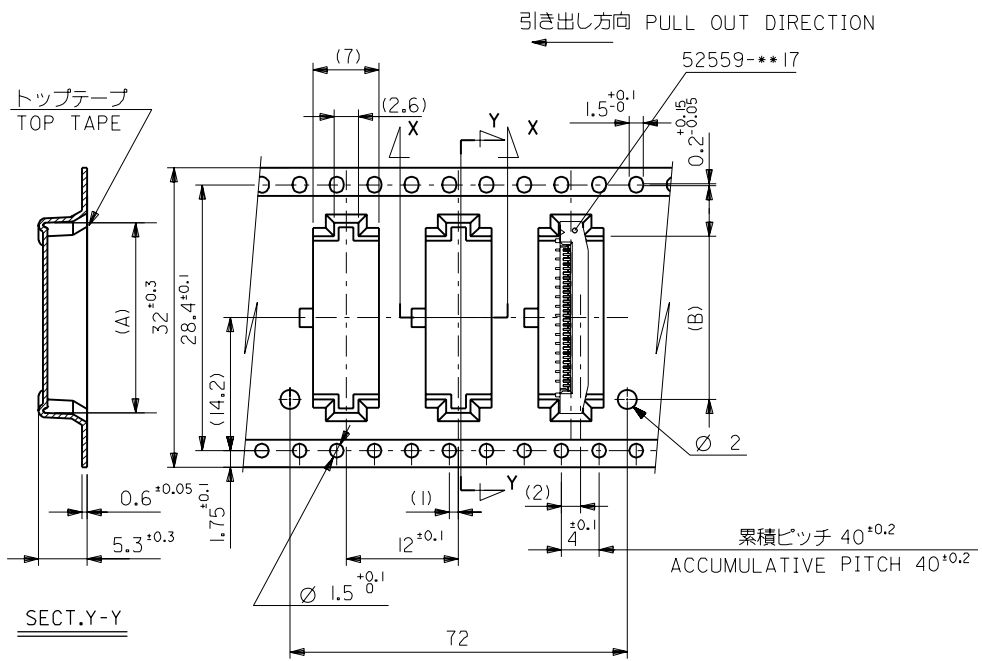
|   |               |             |          |                   |                       |
|---|---------------|-------------|----------|-------------------|-----------------------|
| G | 変更<br>REVISED | 更 (J406067) | 96/3/19  | 材料 MATERIAL       | SHEET 1 OF 4 参照       |
| F | 変更<br>REVISED | 更 (J406029) | 95/7/14  | 仕上げ FINISH        | REFER TO SHEET 1 OF 4 |
| E | 変更<br>REVISED | 更 (J50341)  | 95/5/25  | 適用電線範囲 WIRE RANGE | —                     |
| D | 変更<br>REVISED | 更 (J40781)  | 94/9/26  | 被覆外径 INS. RANGE   | —                     |
| C | 変更<br>REVISED | 更 (J40605)  | 94/7/26  | DRAWN BY          | 93/11/12 M.SHIMIZU    |
| B | 変更<br>REVISED | 更 (J40568)  | 94/7/16  | CHK'D BY          | 100/12/20 S.KUNISHI   |
| A | 変更<br>REVISED | 更 (J40267)  | 94/4/1   | APP'D BY          | 100/12/20 M.FUKUSHIMA |
| O | 新規作成 PROPOSED | 更 (J31169)  | 93/11/12 | DR. DATE          | 尺度 SCALE              |

MOLEX-JAPAN CO.,LTD.  
 日本モレックス株式会社  
**REVISE ONLY ON CAD SYSTEM**  
 TITLE 名称  
 0.5 FPC Conn Assy ZIF  
 SMT ST Embstp Pkg  
 DWG. NO. (SHEET 2 OF 4) | REV  
 SD-52559-\*\*\*92 | J

THIS DRAWING CONTAINS INFORMATION THAT IS PROPRIETARY TO MOLEX(JAPAN) AND SHOULD NOT BE USED WITHOUT WRITTEN PERMISSION  
 本図面は日本モレックス(株)の所有する情報を含むもので 当社の許可なく複製を禁止する。  
 EN-OIC(032)MXJ-32

DWG. NO. SD-52559-\*\*\*92

ALL DIMENSIONS IN METRIC DO NOT SCALE DRAWING



32mm幅キャリアテープ  
32mm WIDTH CARRIER TAPE

|                                |      |      |      |            |               |
|--------------------------------|------|------|------|------------|---------------|
| 32                             | 33.5 | 18.4 | 21.3 | 52559-3292 | 32            |
|                                |      | 17.4 | 20.3 | 52559-3092 | 30            |
|                                |      | 16.4 | 19.3 | 52559-2892 | 28            |
|                                |      | 15.9 | 18.8 | 52559-2792 | 27            |
|                                |      | 15.4 | 18.3 | 52559-2692 | 26            |
| キャリアテープ幅<br>CARRIER TAPE WIDTH |      | C    | (B)  | (A)        | 極数<br>CIRCUIT |
| ENG. NO.                       |      |      |      |            |               |

|   |                  |          |          |   |         |                                    |  |
|---|------------------|----------|----------|---|---------|------------------------------------|--|
| G | 変更<br>REVISED    | 更<br>CHG | UC60667  | M | 96/3/19 | 材料<br>MATERIAL                     | SHEET 1 OF 4 参照<br>REFER TO SHEET 1 OF 4 |
| F | 変更<br>REVISED    | 更<br>CHG | UC60029  | A | 95/7/14 | 仕上げ<br>FINISH                      | 適用電線範囲<br>WIRE RANGE                     |
| E | 変更<br>REVISED    | 更<br>CHG | (J5034)  | M | 95/5/25 | 被覆外径<br>INS. RANGE                 |  |
| D | 変更<br>REVISED    | 更<br>CHG | (J4078)  | M | 94/9/26 | DRAWN BY: '93/11/12<br>M.SHIMIZU   | CHK'D BY: '00/12/20<br>S.KUNISHI         |
| C | 変更<br>REVISED    | 更<br>CHG | (J40605) | A | 94/7/16 | APP'D BY: '00/12/20<br>M.FUKUSHIMA | 尺度<br>SCALE                              |
| B | 変更<br>REVISED    | 更<br>CHG | (J40568) | M | 94/7/16 | DR. DATE                           |  |
| A | 変更<br>REVISED    | 更<br>CHG | (J40267) | M | 94/4/1  |                                    |  |
| O | 新規作成<br>PROPOSED | 更<br>CHG | (J31169) | M | 93/11/2 |                                    |  |

|                              |       |
|------------------------------|-------|
| 角度 ANGLE                     | +3°   |
| 30°以上<br>OVER                | +0.3  |
| 10°以上 30°未満<br>OVER 30 UNDER | +0.25 |
| 10°未満<br>UNDER               | +0.2  |
| 一般公差<br>GENERAL TOLERANCES   |       |

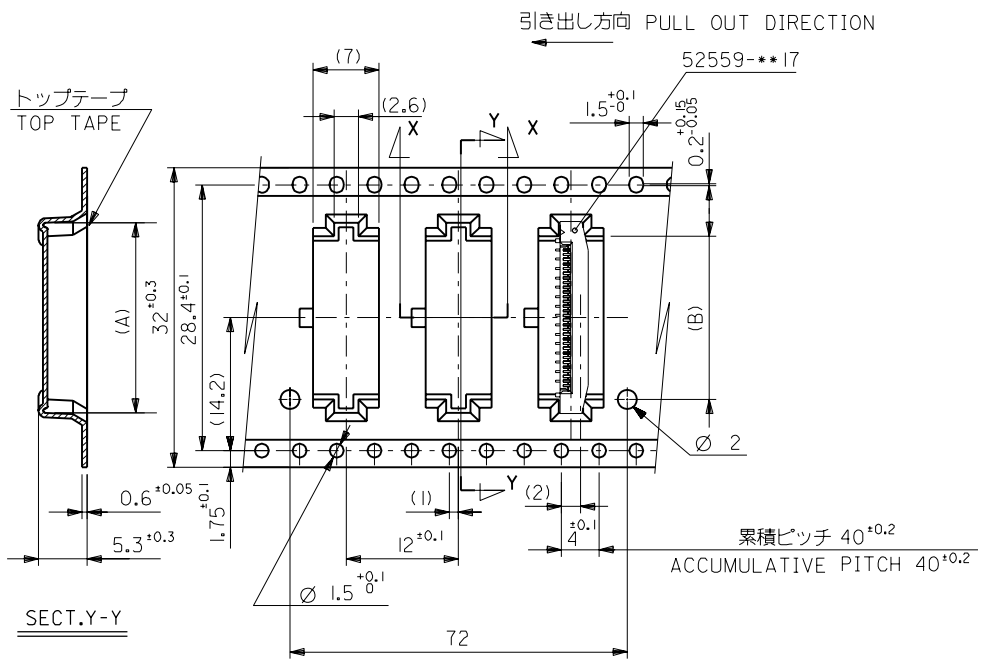
|   |               |          |             |   |          |
|---|---------------|----------|-------------|---|----------|
| J | 変更<br>REVISED | 更<br>CHG | UC2001-0478 | M | 00/12/20 |
| H | 変更<br>REVISED | 更<br>CHG | UC2000-0714 | M | 00/4/28  |

|  |   |
|--|---|
| MOLEX-JAPAN CO.,LTD.<br>日本モレックス株式会社        |   |
| REVISE ONLY ON CAD SYSTEM                  |   |
| TITLE 名称                                   |   |
| 0.5 FPC Conn Assy ZIF<br>SMT ST Embstp Pkg |   |
| DWG. NO. (SHEET 3 OF 4)   REV              | J |
| SD-52559-***92                             |   |

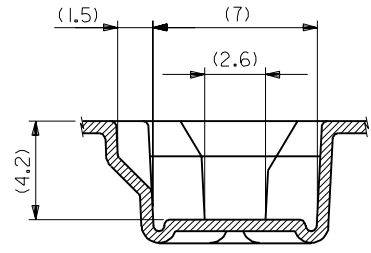
THIS DRAWING CONTAINS INFORMATION THAT IS PROPRIETARY TO MOLEX(JAPAN) AND SHOULD NOT BE USED WITHOUT WRITTEN PERMISSION  
本図面は日本モレックス(株)の所有する情報を含むもので 当社の許可なく複製を禁止する。  
EN-OIC(032)MXJ-32

DWG. NO. SD-52559-\*\*\*92

ALL DIMENSIONS IN METRIC DO NOT SCALE DRAWING



32mm幅キャリアテープ  
32mm WIDTH CARRIER TAPE



SECT.X-X

|                                |      |      |      |            |               |
|--------------------------------|------|------|------|------------|---------------|
| 32                             | 33.5 | 18.4 | 21.3 | 52559-3292 | 32            |
|                                |      | 17.4 | 20.3 | 52559-3092 | 30            |
|                                |      | 16.4 | 19.3 | 52559-2892 | 28            |
|                                |      | 15.9 | 18.8 | 52559-2792 | 27            |
|                                |      | 15.4 | 18.3 | 52559-2692 | 26            |
| キャリアテープ幅<br>CARRIER TAPE WIDTH | C    | (B)  | (A)  | ENG. NO.   | 極数<br>CIRCUIT |

|   |                  |          |          |   |         |                                    |  |
|---|------------------|----------|----------|---|---------|------------------------------------|--|
| G | 変更<br>REVISED    | 更<br>CHG | UC60667  | M | 96/3/19 | 材料<br>MATERIAL                     | SHEET 1 OF 4 参照<br>REFER TO SHEET 1 OF 4 |
| F | 変更<br>REVISED    | 更<br>CHG | UC60029  | A | 95/7/14 | 仕上げ<br>FINISH                      | 適用電線範囲<br>WIRE RANGE                     |
| E | 変更<br>REVISED    | 更<br>CHG | (J5034)  | M | 95/5/25 | 被覆外径<br>INS. RANGE                 | —  |
| D | 変更<br>REVISED    | 更<br>CHG | (J4078)  | M | 94/9/26 | DRAWN BY: '93/11/12<br>M.SHIMIZU   | CHK'D BY: '00/12/20<br>S.KUNISHI         |
| C | 変更<br>REVISED    | 更<br>CHG | (J40605) | A | 94/7/16 | APP'D BY: '00/12/20<br>M.FUKUSHIMA | 尺度<br>SCALE                              |
| B | 変更<br>REVISED    | 更<br>CHG | (J40568) | M | 94/7/16 | DR. 日付<br>DR. DATE                 | —  |
| A | 変更<br>REVISED    | 更<br>CHG | (J40267) | M | 94/4/1  | —                                  | —  |
| O | 新規作成<br>PROPOSED | 更<br>CHG | (J31169) | M | 93/11/2 | —                                  | —  |

|  |     |
|--|-----|
| MOLEX-JAPAN CO.,LTD.<br>日本モレックス株式会社        |     |
| REVISE ONLY ON CAD SYSTEM                  |     |
| TITLE 名称                                   |     |
| 0.5 FPC Conn Assy ZIF<br>SMT ST Embstp Pkg |     |
| DWG. NO. (SHEET 3 OF 4)                    | REV |
| SD-52559-***92                             | J   |

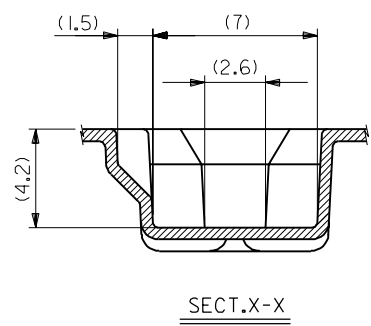
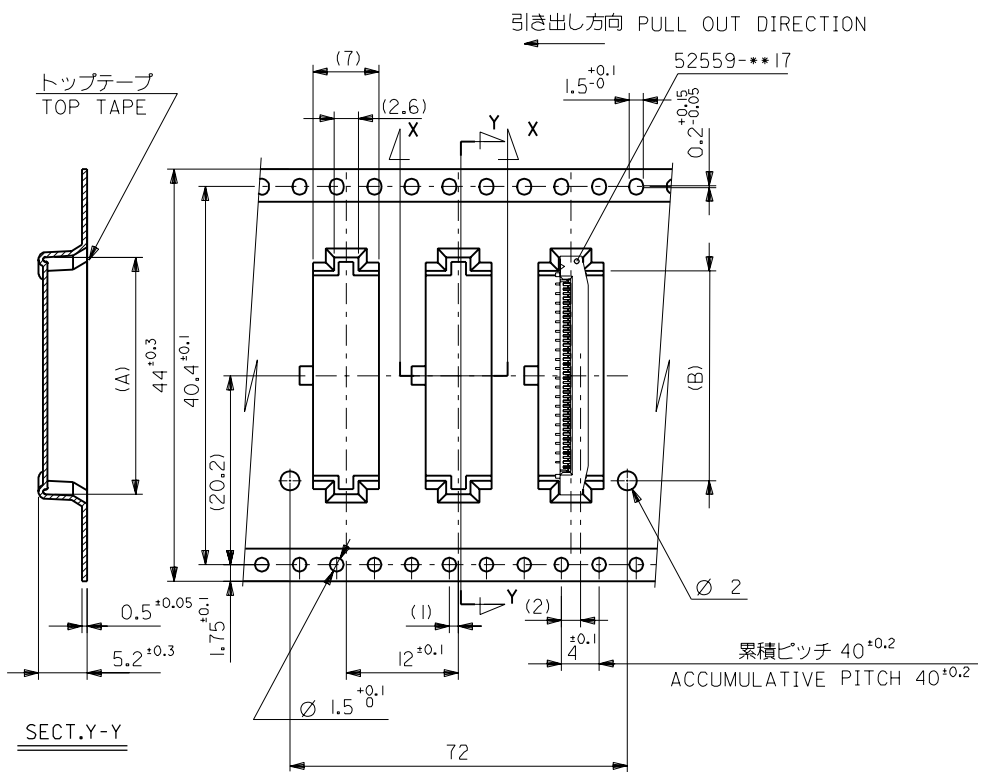
|   |               |          |             |   |          |   |   |
|---|---------------|----------|-------------|---|----------|---|---|
| J | 変更<br>REVISED | 更<br>CHG | UC2001-0478 | M | 00/12/20 | — | — |
| H | 変更<br>REVISED | 更<br>CHG | UC2000-0714 | M | 00/4/28  | — | — |

|                            |       |
|----------------------------|-------|
| 角度 ANGLE                   | +3°   |
| 30 以上<br>OVER              | +0.3  |
| 10 以上 30 未満<br>OVER        | +0.25 |
| 10 未満<br>UNDER             | +0.2  |
| 一般公差<br>GENERAL TOLERANCES | —     |

THIS DRAWING CONTAINS INFORMATION THAT IS PROPRIETARY TO MOLEX(JAPAN) AND SHOULD NOT BE USED WITHOUT WRITTEN PERMISSION  
本図面は日本モレックス(株)の所有する情報を含むもので 当社の許可なく複製を禁止する。  
EN-OIC(032)MXJ-32

DWG. NO.  
SD-52559-\*\*\*92

ALL DIMENSIONS IN METRIC DO NOT SCALE DRAWING



44mm 幅キャリアテープ  
44mm WIDTH CARRIER TAPE

|                                |      |      |      |            |               |
|--------------------------------|------|------|------|------------|---------------|
| 44                             | 45.5 | 22.4 | 25.3 | 52559-4092 | 40            |
| キャリアテープ幅<br>CARRIER TAPE WIDTH | C    | (B)  | (A)  | 52559-3692 | 36            |
|                                |      |      |      | ENG. NO.   | 極数<br>CIRCUIT |

|   |                  |          |        |          |                                 |  |
|---|------------------|----------|--------|----------|---------------------------------|--|
| G | 変更<br>REVISED    | WC60667  | M.H.A. | 96/3/19  | 材料<br>MATERIAL                  | SHEET 1 OF 4 参照<br>REFER TO SHEET 1 OF 4 |
| F | 変更<br>REVISED    | WC60029  | M.H.A. | 95/7/14  |                                 |  |
| E | 変更<br>REVISED    | (J5034)  | M.H.A. | 95/5/25  | 仕上げ<br>FINISH                   | —  |
| D | 変更<br>REVISED    | (J4078)  | M.S.H. | 94/9/26  | 適用電線範囲<br>WIRE RANGE            | —  |
| C | 変更<br>REVISED    | (J40605) | M.H.A. | 94/7/16  | 被覆外径<br>INS. RANGE              | —  |
| B | 変更<br>REVISED    | (J40568) | M.S.H. | 94/7/16  |                                 |  |
| A | 変更<br>REVISED    | (J40267) | M.H.A. | 94/4/1   |                                 |  |
| O | 新規作成<br>PROPOSED | (J31169) | M.S.H. | 93/11/12 | DRAWN BY '93/11/12<br>M.SHIMIZU | CHK'D BY '00/12/20<br>S.KUNISHI          |

|                            |       |
|----------------------------|-------|
| 角度 ANGLE                   | +3°   |
| 30 以上<br>OVER              | +0.3  |
| 10 以上 30 未満<br>10 UNDER    | +0.25 |
| 10 未満<br>10 UNDER          | +0.2  |
| 一般公差<br>GENERAL TOLERANCES |       |

|   |               |             |        |          |  |  |
|---|---------------|-------------|--------|----------|--|--|
| J | 変更<br>REVISED | WC2001-0478 | M.H.A. | 00/12/20 |  |  |
| H | 変更<br>REVISED | WC2000-0714 | M.H.A. | 00/4/28  |  |  |

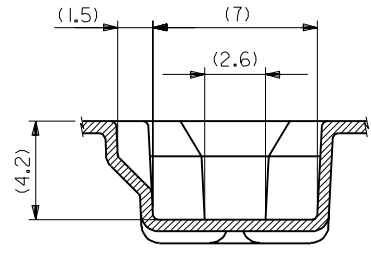
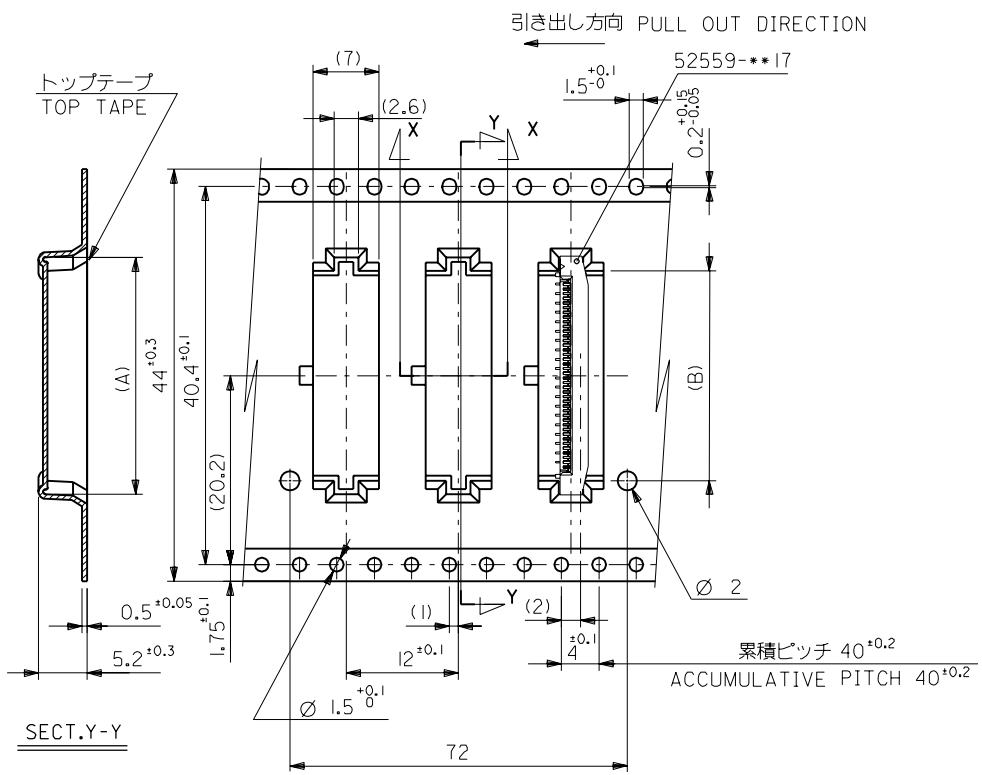
|  |                                     |
|--|-------------------------------------|
| モレックス<br>MOLEX   | MOLEX-JAPAN CO.,LTD.<br>日本モレックス株式会社 |
| REVISE ONLY ON CAD SYSTEM                              |                                     |
| TITLE 名称<br>0.5 FPC Conn Assy ZIF<br>SMT ST Embstp Pkg |                                     |
| DWG. NO. (SHEET 4 OF 4) REV                            | SD-52559-***92                      |

THIS DRAWING CONTAINS INFORMATION THAT IS PROPRIETARY TO MOLEX(JAPAN) AND SHOULD NOT BE USED WITHOUT WRITTEN PERMISSION  
本図面は日本モレックス(株)の所有する情報を含むもので 当社の許可なく複製を禁止する。  
EN-OIC(032)MXJ-32

DWG. NO.  
SD-52559-\*\*\*92

ALL DIMENSIONS IN METRIC DO NOT SCALE DRAWING

1:MM



44mm幅キャリアテープ  
44mm WIDTH CARRIER TAPE

|                                |      |      |      |            |               |
|--------------------------------|------|------|------|------------|---------------|
| 44                             | 45.5 | 22.4 | 25.3 | 52559-4092 | 40            |
| キャリアテープ幅<br>CARRIER TAPE WIDTH | C    | (B)  | (A)  | 52559-3692 | 36            |
|                                |      |      |      | ENG. NO.   | 極数<br>CIRCUIT |

|   |                  |          |          |          |                                 |  |
|---|------------------|----------|----------|----------|---------------------------------|--|
| G | 変更<br>REVISED    | WC60667  | M.H.A.   | 96/3/19  | 材料<br>MATERIAL                  | SHEET 1 OF 4 参照<br>REFER TO SHEET 1 OF 4 |
| F | 変更<br>REVISED    | WC60029  | M.H.A.   | 95/7/14  |                                 |  |
| E | 変更<br>REVISED    | (J5034)  | M.H.A.   | 95/5/25  | 仕上げ<br>FINISH                   | —  |
| D | 変更<br>REVISED    | (J4078)  | M.S.H.A. | 94/9/26  | 適用電線範囲<br>WIRE RANGE            | —  |
| C | 変更<br>REVISED    | (J40605) | M.H.A.   | 94/7/16  | 被覆外径<br>INS. RANGE              | —  |
| B | 変更<br>REVISED    | (J40568) | M.S.H.A. | 94/7/16  |                                 |  |
| A | 変更<br>REVISED    | (J40267) | M.H.A.   | 94/4/1   |                                 |  |
| O | 新規作成<br>PROPOSED | (J31169) | M.S.H.A. | 93/11/12 | DRAWN BY '93/11/12<br>M.SHIMIZU | CHK'D BY '00/12/20<br>S.KUNISHI          |

|                            |       |
|----------------------------|-------|
| 角度 ANGLE                   | ±3°   |
| 30°以上<br>OVER              | +0.3  |
| 10°以上 30°未満<br>UNDER       | +0.25 |
| 10°未満<br>UNDER             | +0.2  |
| 一般公差<br>GENERAL TOLERANCES |       |

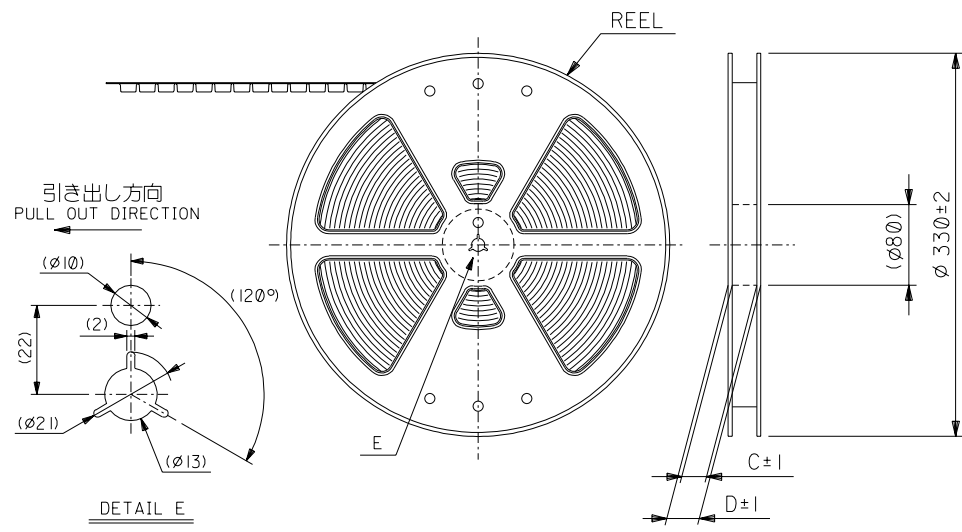
|   |               |             |        |          |
|---|---------------|-------------|--------|----------|
| J | 変更<br>REVISED | WC2001-0478 | M.H.A. | 00/12/20 |
| H | 変更<br>REVISED | WC2000-0714 | M.H.A. | 00/4/28  |

|  |                                     |
|--|-------------------------------------|
| モレックス<br>MOLEX   | MOLEX-JAPAN CO.,LTD.<br>日本モレックス株式会社 |
| REVISE ONLY ON CAD SYSTEM                              |                                     |
| TITLE 名称<br>0.5 FPC Conn Assy ZIF<br>SMT ST Embstp Pkg |                                     |
| DWG. NO. (SHEET 4 OF 4) REV                            | SD-52559-***92                      |

THIS DRAWING CONTAINS INFORMATION THAT IS PROPRIETARY TO MOLEX(JAPAN) AND SHOULD NOT BE USED WITHOUT WRITTEN PERMISSION  
本図面は日本モレックス(株)の所有する情報を含むもので 当社の許可なく複製を禁止する。  
EN-OIC(032)MXJ-32

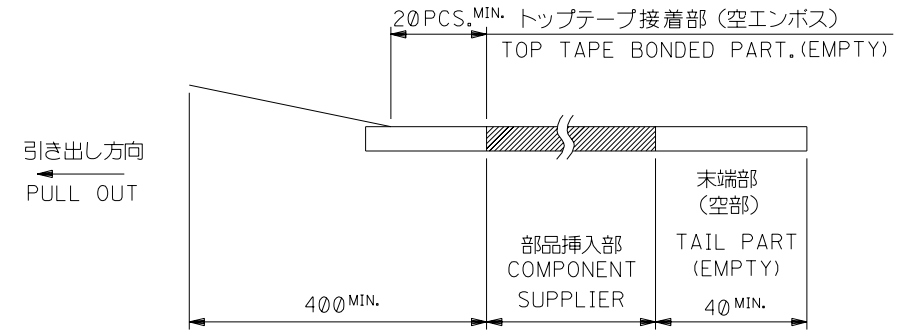
5255992.S10





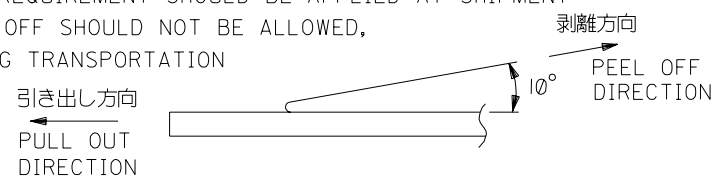
注記 NOTES

- 製品番号 52559-\*\*-19 の梱包状態はアクチュエータがロックした状態とする。  
詳細寸法については図面 SD-52559-027 を参照下さい。  
IN THE PACKAGE,ACTUATOR OF PART NO.52559-\*\*-19 SHOULD BE LOCKED RE DETAILED DIMENSIONS,SEE SD-52559-027
- 梱包数量：1000個/リール  
NUMBER OF CONNECTORS:1000PCS/REEL
- リードテープ長さ LEAD TAPE LENGTH



- トップテープの剥離強度：(剥離方向は下図参照)  
0.1~1.3N {10gf~130gf} 尚、本規格値は、出荷時に適用。  
(但し、輸送時に剥離が発生しない事。)

PEELING OFF FORCE OF TOP TAPE  
(UNLESS SPECIFIED)  
0.1~1.3N{10gf ~130gf}(PEELING DIRECTION AS SHOWN IN FOLLOWING FIG.)  
THIS REQUIREMENT SHOULD BE APPLIED AT SHIPMENT  
PEEL OFF SHOULD NOT BE ALLOWED,  
DURING TRANSPORTATION

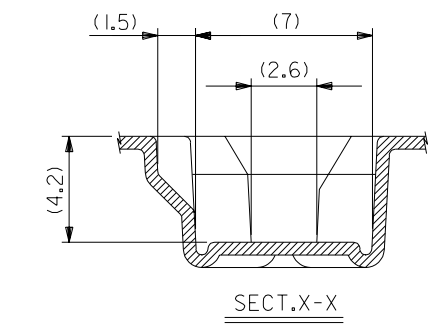
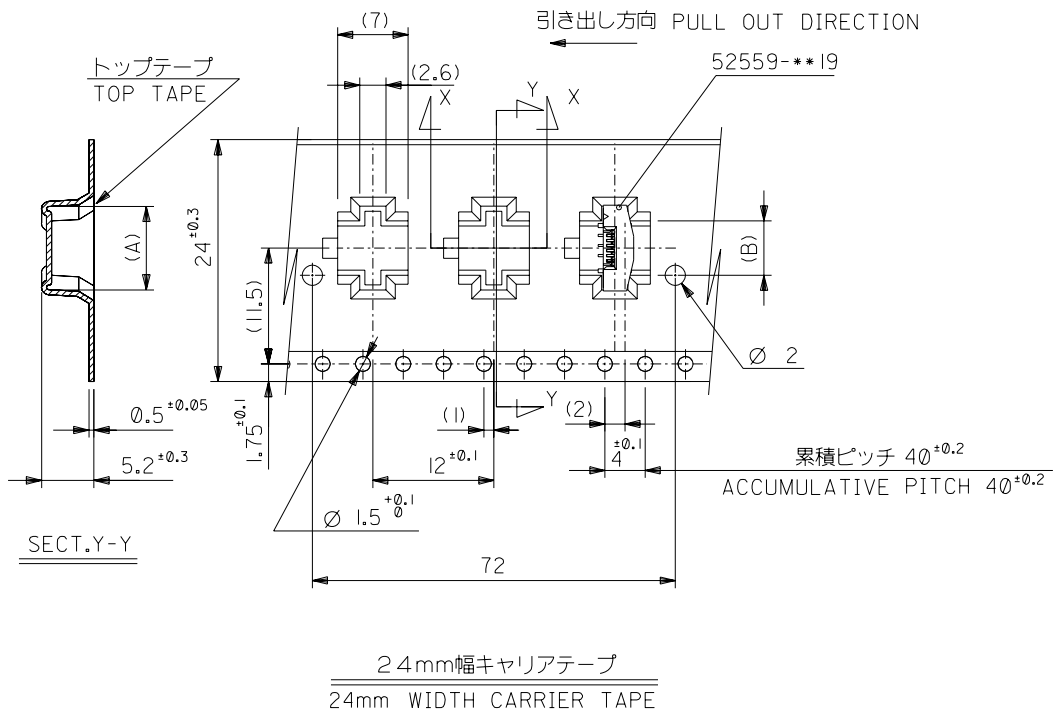


- 材料 キャリアテープ：ポリプロピレン (PP)  
トップテープ：PET, PE, PEF  
リール：ポリスチレン (PS) <リサイクル材を含む>

MATERIAL CARRIER TAPE:POLYPROPYLENE  
TOP TAPE:PET,PE,PEF  
REEL:POLYSTYREN(PS)  
<RECYCLE MATERIAL CONTAINED>

- 本製品は 52559-\*\*-92の鉛フリー品である。  
THIS PRODUCT IS LEAD FREE OF 52559-\*\*-92

|                                    |                                    |                                    |  |  |                                     |   |   |  |  |                                  |                             |
|------------------------------------|------------------------------------|------------------------------------|--|--|-------------------------------------|---|---|--|--|----------------------------------|-----------------------------|
| 64NO.<br>DRAWN:<br>CHK'K:<br>APPR: | 63NO.<br>DRAWN:<br>CHK'K:<br>APPR: | 62NO.<br>DRAWN:<br>CHK'K:<br>APPR: | REVISED<br>61NO. J2004-2769<br>DRAWN: H.SHIMABUKURO<br>CHK'K: K.TOJO<br>APPR: H. Sadao | RELEASD<br>60NO. J2004-1818<br>DRAWN: H.SHIMABUKURO<br>CHK'K: K.TOJO<br>APPR: H. Sadao | MATERIAL<br>材料<br>注記参照<br>SEE NOTES | GENERAL TOLERANCES:<br>(UNLESS SPECIFIED)<br>一般公差                   | SCALE<br>1:1  | DESIGN UNITS<br><input checked="" type="checkbox"/> mm <input type="checkbox"/> INCH | DIMENSIONS:<br><input type="checkbox"/> mm <input type="checkbox"/> INCH <input checked="" type="checkbox"/> mm ONLY | SHT<br>REVISE ON CAD ONLY        | REV                         |
|                                    |                                    |                                    | WIRE RANGE<br>適用層線範囲   |  |                                     | 10 UNDER 未滿 ±0.2<br>10 OVER 以上 30 UNDER 未滿 ±0.25<br>30 OVER 以上 ±0.3 | DRAWN BY & DATE<br>H.SHIMABUKURO '04/01/07<br>CHECKED BY & DATE<br>K.TOJO '04/01/07<br>APPROVED BY & DATE<br>H. Sadao '04/01/07 | TITLE: 0.5 FPC Conn. Assy ZIF.<br>For SMT,Embstp pkg<br>-LEAD FREE-                  | MOLEX INCORPORATED   | CAD FILENAME<br>SD-52559-028.S01 | MATERIAL NO.<br>52559-**-72 |

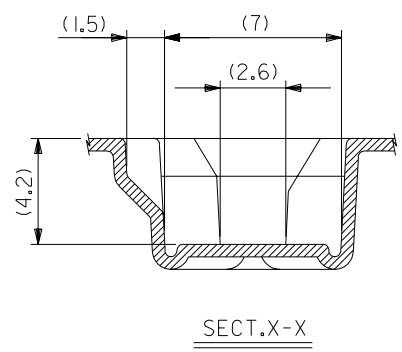
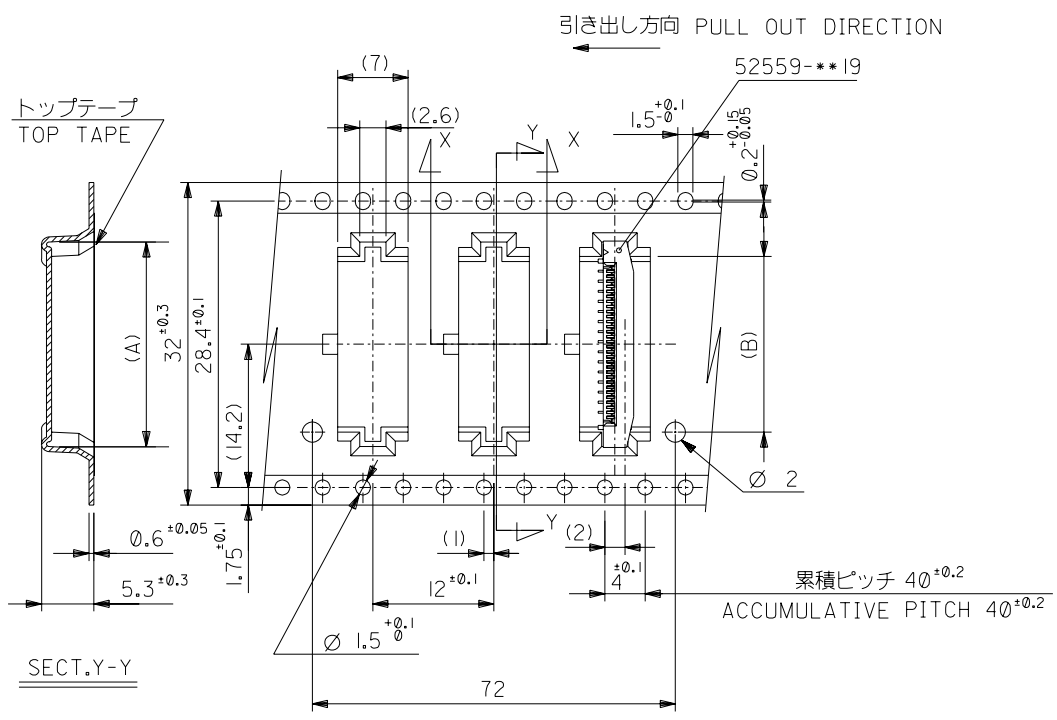


|                                |      |            |      |      |            |     |              |             |
|--------------------------------|------|------------|------|------|------------|-----|--------------|-------------|
| 24                             | 29.4 | 25.4       | 14.4 | 17.3 | 52559-2472 | 24  |              |             |
|                                |      |            | 13.9 | 16.8 | 52559-2372 | 23  |              |             |
|                                |      |            | 12.9 | 15.8 | 52559-2172 | 21  |              |             |
|                                |      |            | 12.4 | 15.3 | 52559-2072 | 20  |              |             |
|                                |      |            | 10.9 | 13.8 | 52559-1772 | 17  |              |             |
|                                |      |            | 10.4 | 13.3 | 52559-1672 | 16  |              |             |
|                                |      |            | 9.9  | 12.8 | 52559-1572 | 15  |              |             |
|                                |      |            | 9.4  | 12.3 | 52559-1472 | 14  |              |             |
|                                |      |            | 8.4  | 11.3 | 52559-1272 | 12  |              |             |
|                                |      |            | 7.4  | 10.3 | 52559-1072 | 10  |              |             |
| 6.9                            | 9.8  | 52559-0972 | 9    |      |            |     |              |             |
| 5.4                            | 8.3  | 52559-0672 | 6    |      |            |     |              |             |
| キャリアテープ幅<br>CARRIER TAPE WIDTH |      |            | D    | C    | (B)        | (A) | MATERIAL NO. | CIRCUIT NO. |

24mm幅キャリアテープ  
24mm WIDTH CARRIER TAPE

DO NOT SCALE DRAWING

|  |  |  |  |   |                                  |  |   |  |  |
|--|--|--|--|---|----------------------------------|--|---|--|--|
| 68 NO. J2004-2769<br>DRWN: H. SHIMABUKURO<br>CH'K: K. TOJO<br>APPR: H. Saito | 63 NO. J2004-1818<br>DRWN: H. SHIMABUKURO<br>CH'K: K. TOJO<br>APPR: H. Saito | 62 NO. J2004-1818<br>DRWN: H. SHIMABUKURO<br>CH'K: K. TOJO<br>APPR: H. Saito | REVISED<br>J2004-2769<br>H. SHIMABUKURO<br>K. TOJO<br>H. Saito | RELEASED<br>J2004-1818<br>H. SHIMABUKURO<br>K. TOJO<br>H. Saito | MATERIAL 材料<br>注記参照<br>SEE NOTES | GENERAL TOLERANCES:<br>(UNLESS SPECIFIED)<br>一般公差<br>10 UNDER 未満 ±0.2<br>10 OVER 以上 30 UNDER 未満 ±0.25<br>30 OVER 以上 ±0.3<br>ANGLE 角度 ±3° | SCALE 1:1<br>DESIGN UNITS mm INCH<br>DRAWN BY & DATE H.SIMABUKURO '04/01/07<br>CHECKED BY & DATE T.TOJO '04/01/07<br>APPROVED BY & DATE H. Saito '04/01/07<br>CAD FILENAME SD-52559-028.S01 | DIMENSIONS: mm INCH<br>45° 45° 45° 45°<br>PROJECTION<br>TITLE: 0.5 FPC Conn. Assy ZIF.<br>For SMT, Embstp pkg<br>-LEAD FREE-<br>MOLEX MOLEX INCORPORATED | SHT 2<br>REV OF 4<br>MATERIAL NO. 52559-**72<br>DRAWING NO. SD-52559-028<br>SHEET NO. 2 OF 4 |
|--|--|--|--|---|----------------------------------|--|---|--|--|



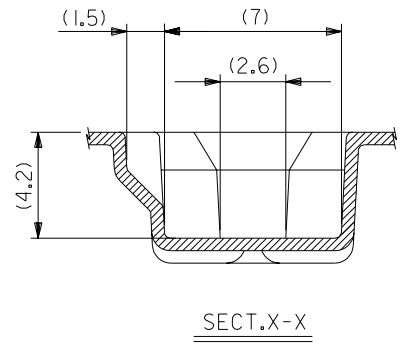
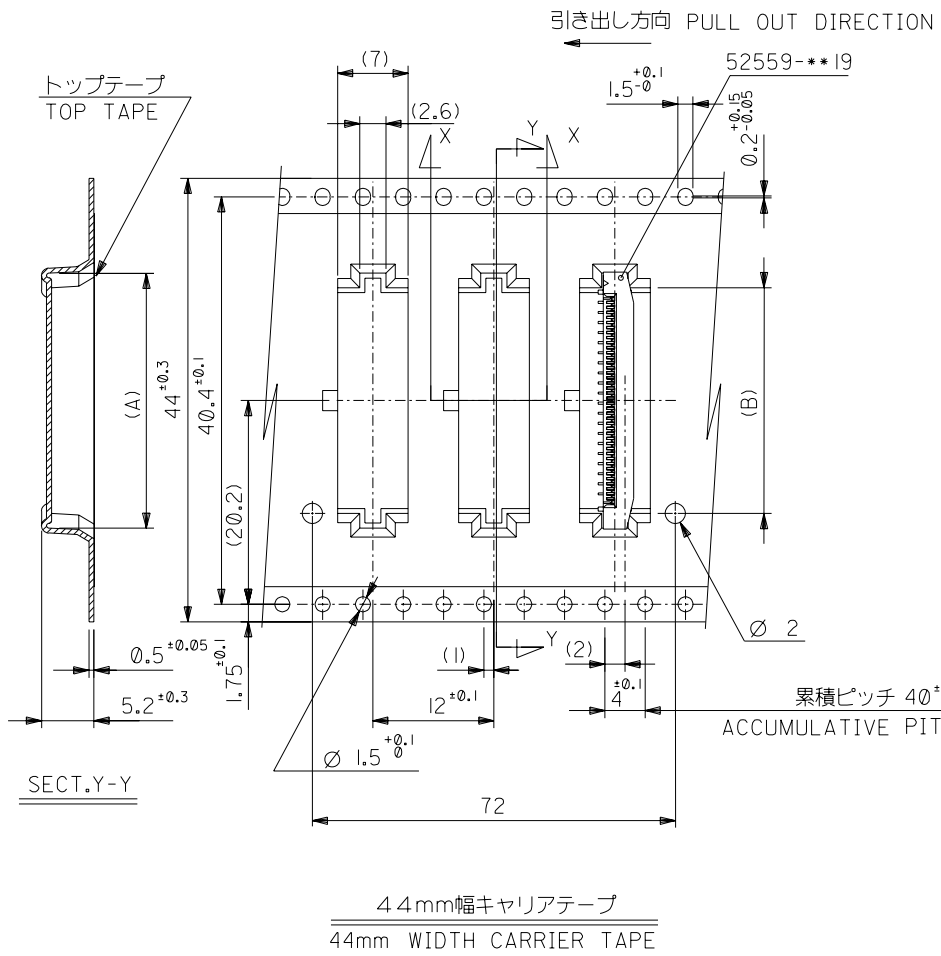
32mm幅キャリアテープ  
32mm WIDTH CARRIER TAPE

|                                |      |      |      |              |            |             |
|--------------------------------|------|------|------|--------------|------------|-------------|
| 32                             | 37.4 | 33.4 | 18.4 | 21.3         | 52559-3272 | 32          |
|                                |      |      | 17.4 | 20.3         | 52559-3072 | 30          |
|                                |      |      | 16.4 | 19.3         | 52559-2872 | 28          |
|                                |      |      | 15.9 | 18.8         | 52559-2772 | 27          |
|                                |      |      | 15.4 | 18.3         | 52559-2672 | 26          |
| キャリアテープ幅<br>CARRIER TAPE WIDTH | D    | C    | (A)  | MATERIAL NO. |            | CIRCUIT NO. |

DO NOT SCALE DRAWING

|   |   |  |                                  |   |   |  |  |               |                                  |
|---|---|--|----------------------------------|---|---|--|--|---------------|----------------------------------|
| 63NO.<br>DRAWN: CH'K: APPR:<br><br>63NO.<br>DRAWN: CH'K: APPR:<br><br>62NO.<br>DRAWN: CH'K: APPR: | REVISED<br>61NO. J2004-2769<br>DRAWN: H.SHIMABUKURO<br>CH'K: K.TOJO<br>APPR: H. Saito | RELEASED<br>60NO. J2004-1818<br>DRAWN: H.SHIMABUKURO<br>CH'K: K.TOJO<br>APPR: H. Saito | MATERIAL 材料<br>注記参照<br>SEE NOTES | GENERAL TOLERANCES:<br>(UNLESS SPECIFIED)<br>一般公差                   | SCALE<br>1:1  | DESIGN UNITS<br><input checked="" type="checkbox"/> mm <input type="checkbox"/> INCH | DIMENSIONS:<br><input type="checkbox"/> mm <input type="checkbox"/> INCH <input checked="" type="checkbox"/> mm ONLY | SHT<br>3 OF 4 | REV<br>0                         |
|   |   |  |                                  | 10 UNDER 未満 ±0.2<br>10 OVER 以上 30 UNDER 未満 ±0.25<br>30 OVER 以上 ±0.3 | DRAWN BY & DATE<br>H.SHIMABUKURO '04/01/07<br>CHECKED BY & DATE<br>K.TOJO '04/01/07<br>APPROVED BY & DATE<br>H. Saito '04/01/07 | TITLE:<br>0.5 FPC Conn. Assy ZIF.<br>For SMT,Embstp pkg<br>-LEAD FREE-               | MOLEX INCORPORATED   |               | CAD FILENAME<br>SD-52559-028.S03 |

DWG. NO. SD-52559-028



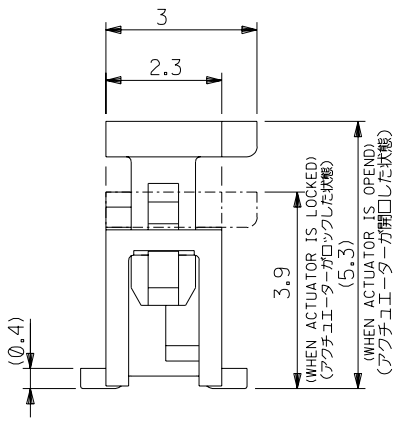
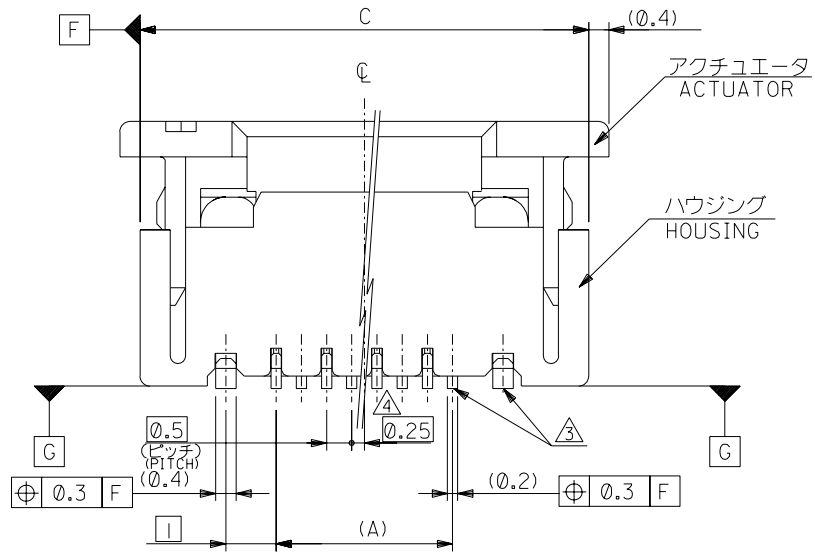
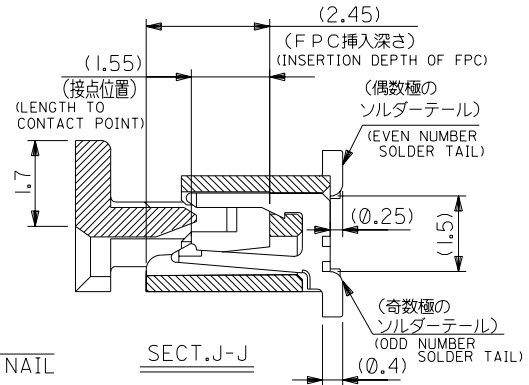
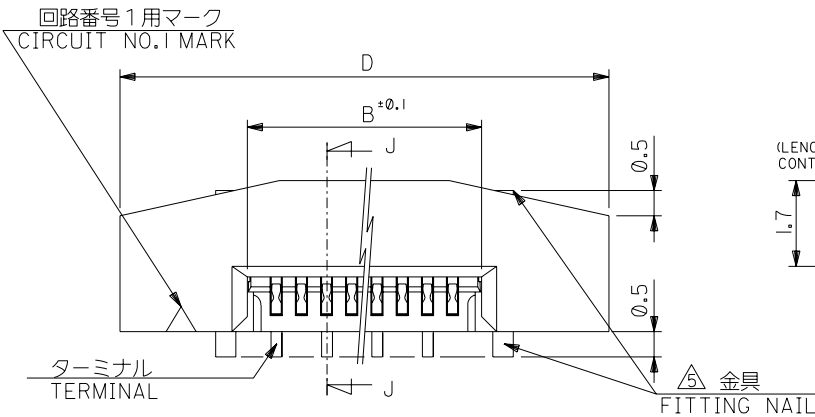
44mm幅キャリアテープ  
44mm WIDTH CARRIER TAPE

|  |      |      |  |      |  |             |
|--|------|------|--|------|--|-------------|
| 44   | 49.4 | 45.4 | 22.4                                       | 25.3 | 52559-4072   | 40          |
| キャリアテープ幅<br>CARRIER TAPE WIDTH   | D    | C    | (A)  | (A)  | 52559-3672   | 36          |
|  |      |      |  |      | MATERIAL NO.   | CIRCUIT NO. |
| GENERAL TOLERANCES:<br>(UNLESS SPECIFIED)<br>一般公差  |      |      | SCALE                                      |      | DESIGN UNITS   |             |
| 10 UNDER 未満 ±0.2   |      |      | —  |      | <input type="checkbox"/> mm <input type="checkbox"/> INCH<br><input checked="" type="checkbox"/> mm ONLY   |             |
| 10 OVER 30 UNDER 未満 ±0.25  |      |      | DRAWN BY & DATE<br>H.SHIMABUKURO '04/01/07 |      | TITLE: 0.5 FPC Conn. Assy ZIF.<br>For SMT,Embstp pkg<br>-LEAD FREE-  |             |
| 30 OVER 以上 ±0.3  |      |      | CHECKED BY & DATE<br>K.TOJO '04/01/07      |      | <input checked="" type="checkbox"/> FIRST ANGLE PROJECTION<br><input type="checkbox"/> mm <input type="checkbox"/> INCH<br><input checked="" type="checkbox"/> mm ONLY |             |
| ANGLE 角度 ±3°   |      |      | APPROVED BY & DATE<br>H. Saeki '04/01/07   |      |  |             |
| WIRE RANGE 適用層線範囲  |      |      | CAD FILENAME<br>SD-52559-028.S04           |      | MATERIAL NO.<br>52559-***72  |             |
| INS. RANGE 被覆外径  |      |      | DRAWING NO.<br>SD-52559-028                |      | SHEET NO.<br>4 OF 4  |             |
| THIS DRAWING CONTAINS INFORMATION THAT IS PROPRIETARY TO MOLEX INCORPORATED AND SHOULD NOT BE USED WITHOUT WRITTEN PERMISSION. |      |      |  |      |  | SIZE<br>B   |

DO NOT SCALE DRAWING

|                                |                                |                                |   |  |                                  |   |
|--------------------------------|--------------------------------|--------------------------------|---|--|----------------------------------|---|
| 64NO.<br>DRAWN: CH'K:<br>APPR: | 63NO.<br>DRAWN: CH'K:<br>APPR: | 62NO.<br>DRAWN: CH'K:<br>APPR: | REVISED<br>61NO. J2004-2769<br>DRAWN: H.SHIMABUKURO<br>CH'K: K.TOJO<br>APPR: H. Saeki | RELEASED<br>60NO. J2004-1818<br>DRAWN: H.SHIMABUKURO<br>CH'K: K.TOJO<br>APPR: H. Saeki | MATERIAL 材料<br>注記参照<br>SEE NOTES | DESCRIPTION<br>FINISH 仕上げ<br>WIRE RANGE 適用層線範囲<br>INS. RANGE 被覆外径 |
| A                              |                                |                                |   | 0  |                                  |   |

DWG. NO. SD-52559-044



注記 NOTES

- 使用材料: MATERIAL  
 ハウジング :46NYLON UL94V-0  
 アクチュエータ :PPS UL94V-0  
 ターミナル :リン青銅、銅下地半田メッキ (t=0.2)  
 PHOS-BRO.TIN-LEAD(9:1) 3~5 MICRON METER OVER COPPER 1~2.5 MICRON METER PLATED  
 金具 :リン青銅、銅下地半田メッキ (t=0.4)  
 FITTING NAIL PHOS-BRO.TIN-LEAD(9:1) 3~5 MICRON METER OVER COPPER 1~2.5 MICRON METER PLATED
  - エンボステープ梱包時は、アクチュエータがロックした状態とする。  
 IN THE PACKAGE,ACTUATOR OF PART NO.52559-\*\*\*17 SHOULD BE LOCKED.  
 ソルダータール半田付け面のズレ量、及び金具半田付け面のズレ量は、基準面 G に対し上方向 0.05 MAX. , 下方向 0.15 MAX. とする。  
 MISALIGNMENT OF SOLDER TAILS AND FITTING NAILS FROM UPPER DIRECTION: 0.05 MAX. , LOWER DIRECTION: 0.15 MAX.
- △ 偶数極に適用。  
 APPLY FOR EVEN CIRCUIT.
- △ パターンはくり止め用金具。  
 FITTING NAIL FOR PREVENTION OF PEELING OF P.C.B. PATTERN.
- △ R0.3は、FPCの導体部にかからないこと。  
 R0.3 MUST NOT BE OVERLAPPED TO PATTERN OF FPC.

DO NOT SCALE DRAWING

|  |  |   |   |   |   |  |
|--|--|---|---|---|---|--|
| 64 NO. DRWN: CH'K: APPR:<br>63 NO. DRWN: CH'K: APPR:<br>62 NO. DRWN: CH'K: APPR:<br>61 NO. DRWN: CH'K: APPR: |  | REDRAWN<br>60 NO. J2003-2624<br>DRWN: K. TOJO<br>CH'K: H. Sano<br>APPR: H. Sano | MATERIAL 材料<br>注記参照<br>SEE NOTES<br>FINISH 仕上げ<br>WIRE RANGE 適用 規格 範囲<br>INS. RANGE 被覆 外径 | GENERAL TOLERANCES: (UNLESS SPECIFIED) 一般公差<br>10 UNDER 未満 ±0.2<br>10 OVER 30 UNDER 未満 ±0.25<br>30 OVER 以上 ±0.3<br>ANGLE 角度 ±3° | SCALE 1:1<br>DESIGN UNITS 一般公差<br>DRAWN BY & DATE K. TOJO '03/04/17<br>CHECKED BY & DATE H. Sano '03/04/17<br>APPROVED BY & DATE H. Sano '03/04/17<br>CAD FILENAME SD-52559-044.S01 | DIMENSIONS: 寸法<br><input type="checkbox"/> mm <input type="checkbox"/> INCH<br><input checked="" type="checkbox"/> mm ONLY<br>SHT 1 OF 2<br>REV 1 OF 2<br>TITLE: 0.5 FPC Conn. Assy ZIF.<br>MOLEX INCORPORATED |
|--|--|---|---|---|---|--|

SD-52559-044 SA

DWG. NO. SD-52559-044

F

D

V

C

B

DO NOT SCALE DRAWING

8

7

6

5

4

3

2

1

F

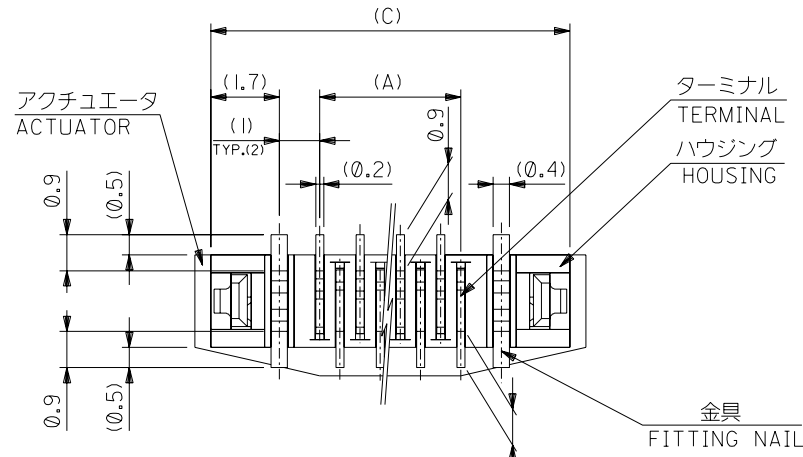
E

D

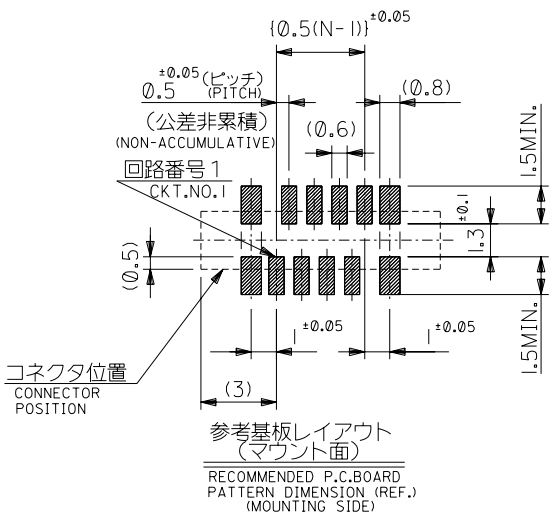
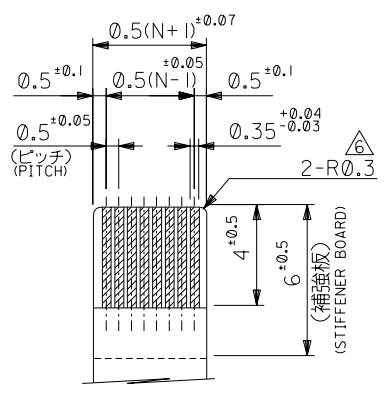
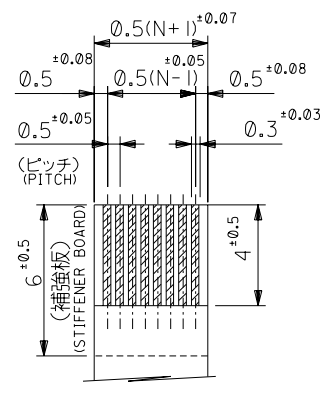
C

B

|      |      |       |      |              |            |
|------|------|-------|------|--------------|------------|
| 25.7 | 24.9 | 20.65 | 19.5 | 52559-4017   | 40         |
| 25.2 | 24.4 | 20.15 | 19.0 | -3917        | 39         |
| 24.7 | 23.9 | 19.65 | 18.5 | -3817        | 38         |
| 24.2 | 23.4 | 19.15 | 18.0 | -3717        | 37         |
| 23.7 | 22.9 | 18.65 | 17.5 | -3617        | 36         |
| 23.2 | 22.4 | 18.15 | 17.0 | -3517        | 35         |
| 22.7 | 21.9 | 17.65 | 16.5 | -3417        | 34         |
| 22.2 | 21.4 | 17.15 | 16.0 | -3317        | 33         |
| 21.7 | 20.9 | 16.65 | 15.5 | -3217        | 32         |
| 21.2 | 20.4 | 16.15 | 15.0 | -3117        | 31         |
| 20.7 | 19.9 | 15.65 | 14.5 | -3017        | 30         |
| 20.2 | 19.4 | 15.15 | 14.0 | -2917        | 29         |
| 19.7 | 18.9 | 14.65 | 13.5 | -2817        | 28         |
| 19.2 | 18.4 | 14.15 | 13.0 | -2717        | 27         |
| 18.7 | 17.9 | 13.65 | 12.5 | -2617        | 26         |
| 18.2 | 17.4 | 13.15 | 12.0 | -2517        | 25         |
| 17.7 | 16.9 | 12.65 | 11.5 | -2417        | 24         |
| 17.2 | 16.4 | 12.15 | 11.0 | -2317        | 23         |
| 16.7 | 15.9 | 11.65 | 10.5 | -2217        | 22         |
| 16.2 | 15.4 | 11.15 | 10.0 | -2117        | 21         |
| 15.7 | 14.9 | 10.65 | 9.5  | -2017        | 20         |
| 15.2 | 14.4 | 10.15 | 9.0  | -1917        | 19         |
| 14.7 | 13.9 | 9.65  | 8.5  | -1817        | 18         |
| 14.2 | 13.4 | 9.15  | 8.0  | -1717        | 17         |
| 13.7 | 12.9 | 8.65  | 7.5  | -1617        | 16         |
| 13.2 | 12.4 | 8.15  | 7.0  | -1517        | 15         |
| 12.7 | 11.9 | 7.65  | 6.5  | -1417        | 14         |
| 12.2 | 11.4 | 7.15  | 6.0  | -1317        | 13         |
| 11.7 | 10.9 | 6.65  | 5.5  | -1217        | 12         |
| 11.2 | 10.4 | 6.15  | 5.0  | -1117        | 11         |
| 10.7 | 9.9  | 5.65  | 4.5  | -1017        | 10         |
| 10.2 | 9.4  | 5.15  | 4.0  | -0917        | 9          |
| 9.7  | 8.9  | 4.65  | 3.5  | -0817        | 8          |
| 9.2  | 8.4  | 4.15  | 3.0  | -0717        | 7          |
| 8.7  | 7.9  | 3.65  | 2.5  | 52559-0617   | 6          |
| D    | C    | B     | (A)  | MATERIAL NO. | 極数<br>CKT. |



下面図  
BOTTOM VIEW



|  |  |                                  |   |   |  |  |   |                     |
|--|--|----------------------------------|---|---|--|--|---|---------------------|
| 図番 NO.<br>DRAWN: CH'K: APPR:<br>図番 NO.<br>DRAWN: CH'K: APPR:<br>図番 NO.<br>DRAWN: CH'K: APPR:<br>図番 NO.<br>DRAWN: CH'K: APPR: | REDRAWN<br>図番 NO. J2003-2624<br>DRAWN: K. TOJO<br>CH'K: H. Sano<br>APPR: H. Sano | MATERIAL 材料<br>注記参照<br>SEE NOTES | GENERAL TOLERANCES:<br>(UNLESS SPECIFIED)<br>一般公差 |   | SCALE                                  | DESIGN UNITS   | DIMENSIONS:<br><input type="checkbox"/> mm <input type="checkbox"/> INCH<br><input type="checkbox"/> mm ONLY <input checked="" type="checkbox"/> INCH | SHT<br>REV          |
|  |  |                                  | 10 UNDER 未満<br>30 UNDER 未満                        | ±0.2  | DRAWN BY & DATE<br>K. TOJO '03/04/17   | DESIGN ANGLE<br><input checked="" type="checkbox"/> mm <input type="checkbox"/> INCH |   |                     |
|  |  | FINISH 仕上げ<br>ー                  | 10 OVER 以上<br>30 OVER 以上                          | ±0.25   | CHECKED BY & DATE<br>H. Sano '03/04/17 | MOLEX MOLEX INCORPORATED   |   |                     |
|  |  | WIRE RANGE 適用層線範囲<br>ー           | ±0.3  | APPROVED BY & DATE<br>H. Sano '03/04/17   | CAD FILENAME<br>SD-52559-044.S02       | MATERIAL NO.<br>52559-**17   | DRAWING NO.<br>SD-52559-044   | SHEET NO.<br>2 OF 2 |
|  |  | INS. RANGE 被覆外径<br>ー             | ANGLE 角度<br>±3°                                   | 本図は DRAWING CONTAINS INFORMATION THAT IS PROPRIETARY TO MOLEX INCORPORATED AND SHOULD NOT BE USED WITHOUT WRITTEN PERMISSION. |  |  | SIZE<br>B   | EN-02J(097) MXJ-54  |

8

7

6

5

4

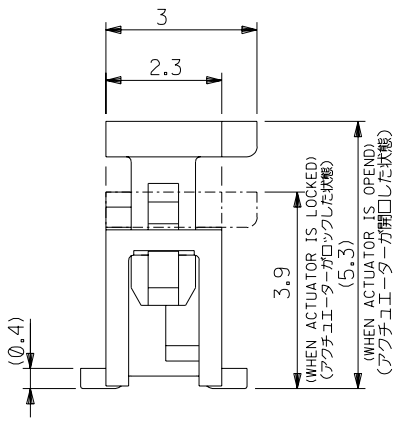
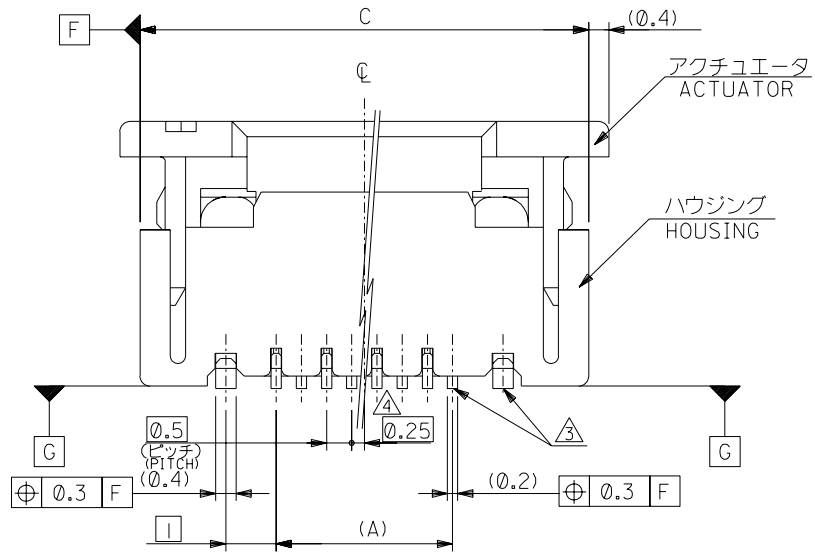
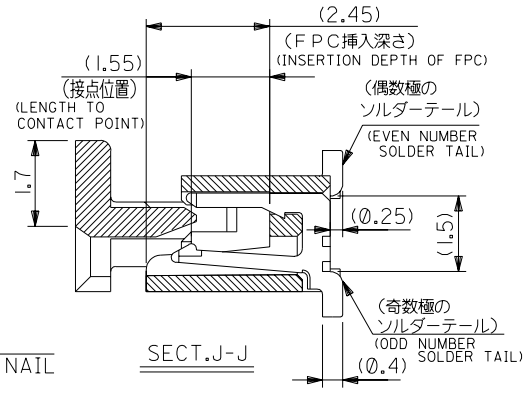
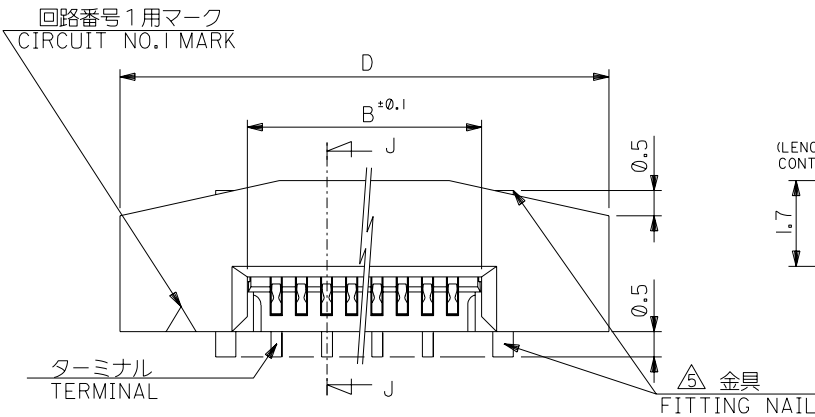
3

2

EN-02J(097) MXJ-54

SD-52559-044.S02

DWG. NO. SD-52559-045



注記 NOTES

- 使用材料: MATERIAL  
 ハウジング :46NYLON UL94V-0  
 アクチュエータ :PPS UL94V-0  
 ターミナル :リン青銅 (t=0.2) PHOS-BRO  
 :錫ビスマスメッキ 1.0マイクロメートル以上 TIN-BISMUTH 1.0 MICROMETER MINIMUM  
 :ニッケル下地 1.0マイクロメートル以上 NICKEL(UNDER PLATING) 1.0 MICROMETER MINIMUM  
 金具 :リン青銅 (t=0.4) PHOS-BRO  
 FITTING NAIL :錫メッキ 1.0マイクロメートル以上 TIN 1.0 MICROMETER MINIMUM  
 :ニッケル下地 1.0マイクロメートル以上 NICKEL(UNDER PLATING) 1.0 MICROMETER MINIMUM
- エンボステープ梱包時は、アクチュエータがロックした状態とする。  
 IN THE PACKAGE,ACTUATOR OF PART NO.52559-\*\*19 SHOULD BE LOCKED.  
 △ソルダータール半田付け面のズレ量、及び金具半田付け面のズレ量は、基準面 G に対し上方向 0.05 MAX. , 下方向 0.15 MAX. とする。  
 MISALIGNMENT OF SOLDER TAILS AND FITTING NAILS FROM G UPPER DIRECTION:0.05 MAX. , LOWER DIRECTION:0.15 MAX.
- 偶数極に適用。  
 APPLY FOR EVEN CIRCUIT.
- パターンはくり止め用金具。  
 FITTING NAIL FOR PREVENTION OF PEELING OF P.C.B. PATTERN.
- R0.3は、FPCの導体部にかからないこと。  
 R0.3 MUST NOT BE OVERLAPPED TO PATTERN OF FPC.
- 本製品は 52559-\*\*17 の鉛フリー品である。  
 THIS PRODUCT IS LEAD FREE OF 52559-\*\*17

DO NOT SCALE DRAWING

|  |  |  |
|--|--|--|
| 64NO.<br>DRWN: CH'K: APPR:<br>63NO.<br>DRWN: CH'K: APPR:<br>62NO.<br>DRWN: CH'K: APPR: | REVISED<br>61NO. J2004-3551<br>DRWN: H. KAWABATA 04/01/07<br>CH'K: K. TOJO 04/01/07<br>APPR: H. SAGAR 04/01/07                 | RELEASED<br>60NO. J2004-1818<br>DRWN: H. SHIMABUKURO 04/01/07<br>CH'K: K. TOJO 04/01/07<br>APPR: H. SAGAR 04/01/07           |
| MATERIAL<br>材料   | 注記参照<br>SEE NOTES  | GENERAL TOLERANCES:<br>(UNLESS SPECIFIED)<br>一般公差  |
| FINISH<br>仕上げ  | 10 UNDER 未満 ±0.2<br>10 OVER 以上 30 UNDER 未満 ±0.25<br>30 OVER 以上 ±0.3  | SCALE 1:1<br>DESIGN UNITS<br><input checked="" type="checkbox"/> mm <input type="checkbox"/> INCH<br>2D 2RD ANGLE PROJECTION |
| WIRE RANGE<br>適用 規格 範囲   | DRAWN BY & DATE<br>H. SHIMABUKURO 04/01/07<br>CHECKED BY & DATE<br>K. TOJO 04/01/07<br>APPROVED BY & DATE<br>H. SAGAR 04/01/07 | TITLE:<br>0.5 FPC Conn. Assy ZIF.<br>-LEAD FREE-   |
| INS. RANGE<br>被覆 外径  | CAD FILENAME<br>SD-52559-045.S01   | MOLEX MOLEX INCORPORATED<br>MATERIAL NO. SEE CHART<br>DRAWING NO. SD-52559-045<br>SHEET NO. 1 OF 2                           |

|   |   |
|---|---|
| MODEL NO.   | 52559-**19  |
| DIMENSIONS:   | SHT REV   |
| <input type="checkbox"/> mm <input type="checkbox"/> INCH | <input checked="" type="checkbox"/> mm ONLY <input type="checkbox"/> INCH |
| REVISE ON CAD ONLY  |   |

|  |  |
|--|--|
| DRAWN BY & DATE<br>H. SHIMABUKURO 04/01/07<br>CHECKED BY & DATE<br>K. TOJO 04/01/07<br>APPROVED BY & DATE<br>H. SAGAR 04/01/07 | TITLE:<br>0.5 FPC Conn. Assy ZIF.<br>-LEAD FREE-   |
| CAD FILENAME<br>SD-52559-045.S01   | MOLEX MOLEX INCORPORATED<br>MATERIAL NO. SEE CHART<br>DRAWING NO. SD-52559-045<br>SHEET NO. 1 OF 2 |
| THIS DRAWING CONTAINS INFORMATION THAT IS PROPRIETARY TO MOLEX INCORPORATED AND SHOULD NOT BE USED WITHOUT WRITTEN PERMISSION. |  |
| SIZE B   | EN-02J(097) MXJ-54   |

SD-52559-045.SA

DWG. NO. SD-52559-045

F

D

V

C

B

DO NOT SCALE DRAWING

8 7 6 5 4 3 2 1

F

E

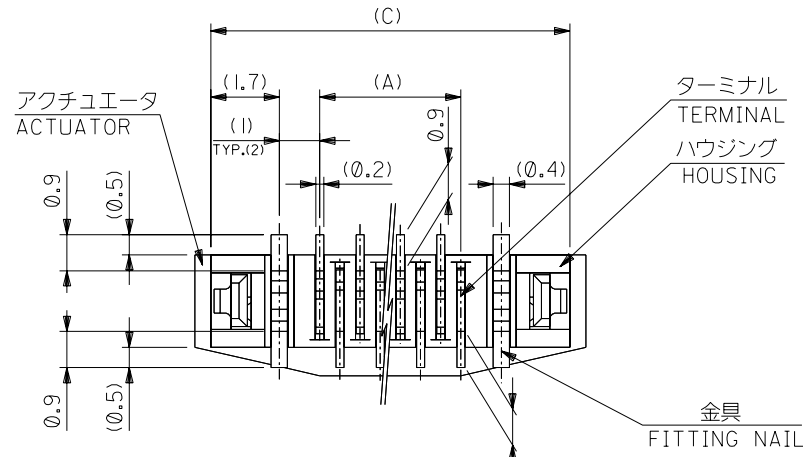
D

C

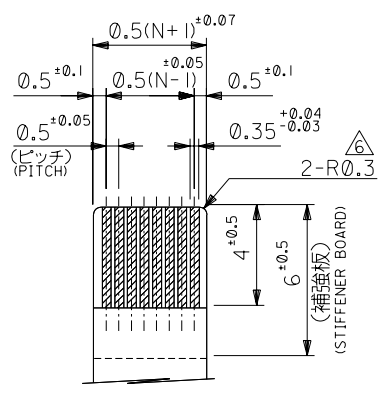
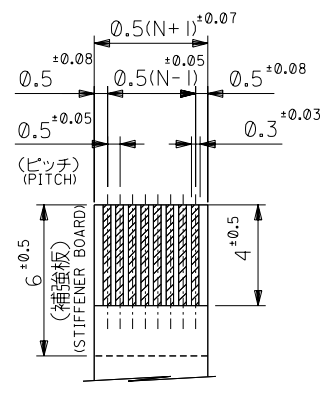
B

FPCについて：  
 打抜き方向は導体側から補強板側を推奨致します。  
 補強フィルム材質はポリイミドを推奨致します。  
 接着剤は熱硬化接着剤を推奨致します。

ABOUT FPC :  
 RECOMMENDED PUNCHER DIRECTION : FROM CONDUCTOR SIDE TO STIFFENER BOARD SIDE.  
 RECOMMENDED MATERIAL :  
 STIFFENER FILM : POLYIMIDE  
 BONDING AGENT : THERMOSETTING BONDING AGENT

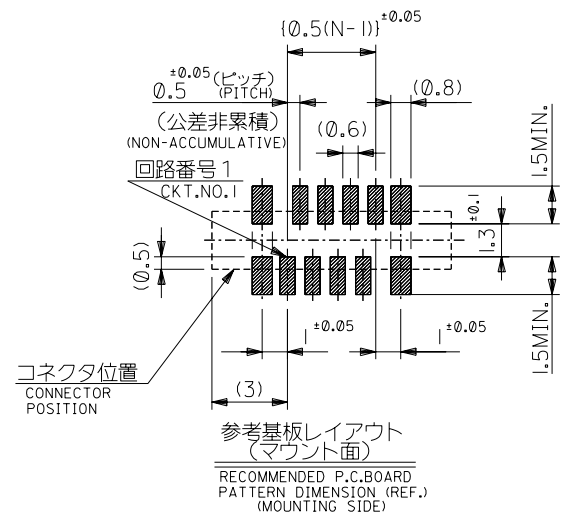


下面図  
 BOTTOM VIEW



適合FPC推奨寸法  
 APPLICABLE FPC  
 RECOMMENDED DIMENSION.  
 (仕上がり厚さ: 0.3±0.05)  
 (THICKNESS: 0.3±0.05)

適合FPC推奨寸法  
 APPLICABLE FPC  
 RECOMMENDED DIMENSION.  
 (仕上がり厚さ: 0.3±0.05)  
 (THICKNESS: 0.3±0.05)



コネクタ位置  
 CONNECTOR POSITION

参考基板レイアウト  
 (マウント面)  
 RECOMMENDED P.C. BOARD  
 PATTERN DIMENSION (REF.)  
 (MOUNTING SIDE)

|      |      |       |      |              |    |
|------|------|-------|------|--------------|----|
| 25.7 | 24.9 | 20.65 | 19.5 | 52559-4019   | 40 |
| 23.7 | 22.9 | 18.65 | 17.5 | -3619        | 36 |
| 22.2 | 21.4 | 17.15 | 16.0 | -3319        | 33 |
| 21.7 | 20.9 | 16.65 | 15.5 | -3219        | 32 |
| 21.2 | 20.4 | 16.15 | 15.0 | -3119        | 31 |
| 20.7 | 19.9 | 15.65 | 14.5 | -3019        | 30 |
| 20.2 | 19.4 | 15.15 | 14.0 | -2919        | 29 |
| 19.7 | 18.9 | 14.65 | 13.5 | -2819        | 28 |
| 19.2 | 18.4 | 14.15 | 13.0 | -2719        | 27 |
| 18.7 | 17.9 | 13.65 | 12.5 | -2619        | 26 |
| 18.2 | 17.4 | 13.15 | 12.0 | -2519        | 25 |
| 17.7 | 16.9 | 12.65 | 11.5 | -2419        | 24 |
| 17.2 | 16.4 | 12.15 | 11.0 | -2319        | 23 |
| 16.7 | 15.9 | 11.65 | 10.5 | -2219        | 22 |
| 16.2 | 15.4 | 11.15 | 10.0 | -2119        | 21 |
| 15.7 | 14.9 | 10.65 | 9.5  | -2019        | 20 |
| 15.2 | 14.4 | 10.15 | 9.0  | -1919        | 19 |
| 14.7 | 13.9 | 9.65  | 8.5  | -1819        | 18 |
| 14.2 | 13.4 | 9.15  | 8.0  | -1719        | 17 |
| 13.7 | 12.9 | 8.65  | 7.5  | -1619        | 16 |
| 13.2 | 12.4 | 8.15  | 7.0  | -1519        | 15 |
| 12.7 | 11.9 | 7.65  | 6.5  | -1419        | 14 |
| 12.2 | 11.4 | 7.15  | 6.0  | -1319        | 13 |
| 11.7 | 10.9 | 6.65  | 5.5  | -1219        | 12 |
| 11.2 | 10.4 | 6.15  | 5.0  | -1119        | 11 |
| 10.7 | 9.9  | 5.65  | 4.5  | -1019        | 10 |
| 10.2 | 9.4  | 5.15  | 4.0  | -0919        | 9  |
| 9.7  | 8.9  | 4.65  | 3.5  | -0819        | 8  |
| 8.7  | 7.9  | 3.65  | 2.5  | 52559-0619   | 6  |
| D    | C    | B     | (A)  | MATERIAL NO. | 極致 |

|   |  |  |                                  |  |   |   |  |                  |     |   |   |   |        |
|---|--|--|----------------------------------|--|---|---|--|------------------|-----|---|---|---|--------|
| 0000 NO.<br>DRWN: CH'K: APPR:<br>0000 NO.<br>DRWN: CH'K: APPR:<br>0000 NO.<br>DRWN: CH'K: APPR: | REVISED<br>02004-3551<br>DRWN: H.KAWABATA '04/04/05<br>CH'K: K.TOJO '04/04/05<br>APPR: H. Saitoh '04/04/05 | RELEASED<br>02004-1818<br>DRWN: H.SHIMABUKURO '04/01/07<br>CH'K: K.TOJO '04/01/07<br>APPR: H. Saitoh '04/01/07 | MATERIAL 材料<br>注記参照<br>SEE NOTES | GENERAL TOLERANCES:<br>(UNLESS SPECIFIED)<br>一般公差<br>10 UNDER 未満 ±0.2<br>10 OVER 以上 30 UNDER 未満 ±0.25<br>30 OVER 以上 ±0.3 | SCALE 1:1<br>DESIGN UNITS<br><input checked="" type="checkbox"/> mm <input type="checkbox"/> INCH | MODEL NO. 52559-***19<br>DIMENSIONS:<br><input type="checkbox"/> mm <input type="checkbox"/> INCH <input checked="" type="checkbox"/> mm ONLY | TITLE:<br>0.5 FPC Conn. Assy ZIF.<br>-LEAD FREE- | SHEET NO. 2 OF 2 | REV | WIRE RANGE 適用層線範囲<br>INS. RANGE 被覆外径  | CAD FILENAME SD-52559-045.S02<br>MATERIAL NO. SEE CHART<br>DRAWING NO. SD-52559-045 | MOLEX MOLEX INCORPORATED<br>MOLEX INCORPORATED AND SHOULD NOT BE USED WITHOUT WRITTEN PERMISSION. | SIZE B |
|   |  |  |                                  |  |   |   |  |                  |     | DRAWN BY & DATE H.SHIMABUKURO '04/01/07<br>CHECKED BY & DATE K.TOJO '04/01/07<br>APPROVED BY & DATE H. Saitoh '04/01/07 | SHEET NO. 2 OF 2  | SIZE B  |        |

8 7 6 5 4 3 2 1 EN-02J(097) MXJ-54

SD-52559-045.S02