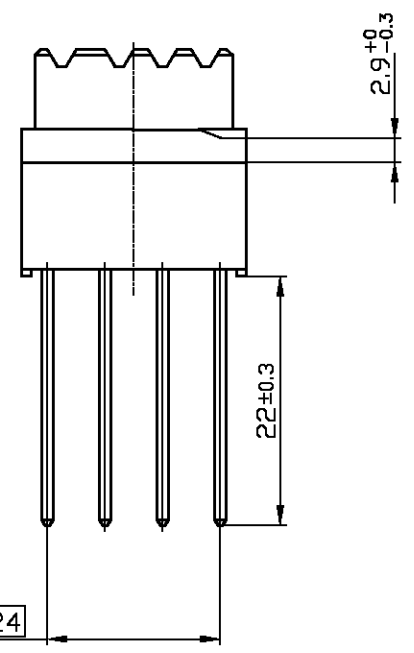
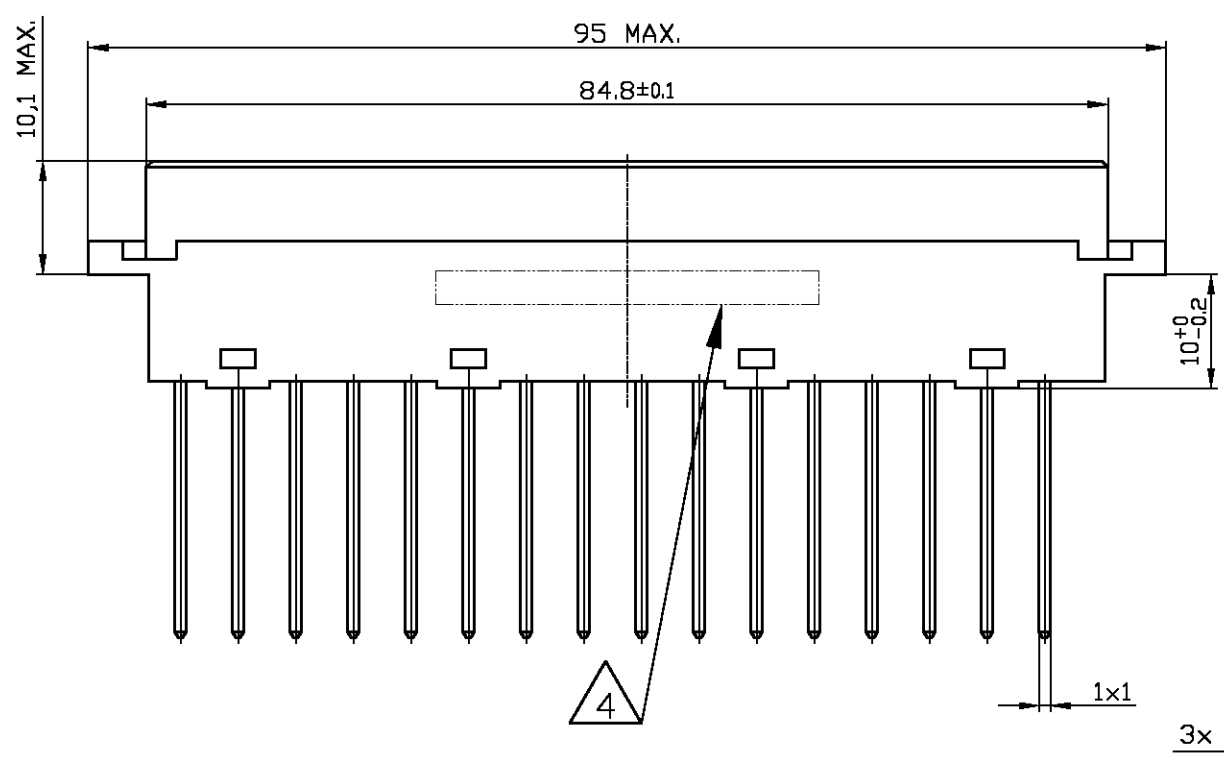
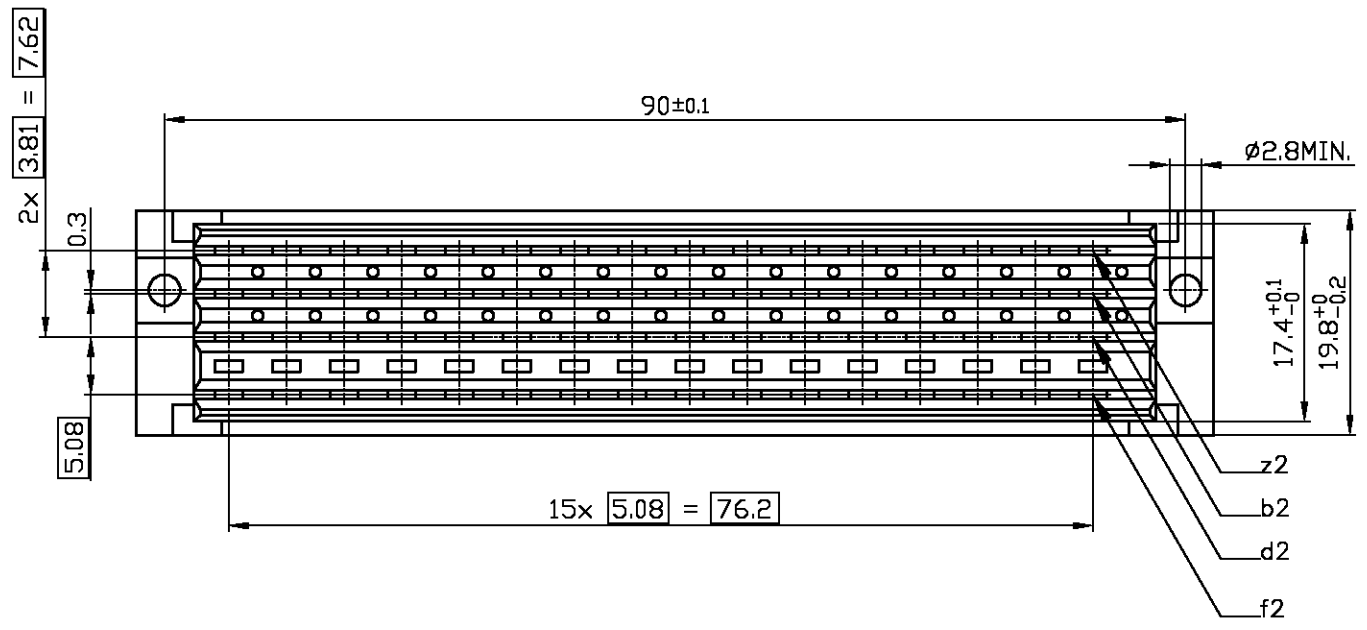


THIS DRAWING IS UNPUBLISHED. RELEASED FOR PUBLICATION
 © COPYRIGHT BY TYCO ELECTRONICS CORPORATION. ALL RIGHTS RESERVED.

LOC	DIST	REVISIONS			
P	LTR	DESCRIPTION	DATE	DWN	APVD
H	-	A	FIRST ISSUE	19DEC2007	JvH BM

P/N	PERF.LVL	CONTACT ASSIGNMENT												POS
		1			2			3						
9-1393755-0	1	1	2	3	1	2	3	1	2	3	1	2	3	64
1-1393756-3	2	z	+	+	+	+	+	+	+	+	+	+	+	
		b	+	+	+	+	+	+	+	+	+	+	+	
		d	+	+	+	+	+	+	+	+	+	+	+	
		f	+	+	+	+	+	+	+	+	+	+	+	
+ CONTACT														



NOTES:

- HOUSING: GLASS FILLED THERMOPLASTIC UL 94 V-0 RATED; GREY
 - CONTACTS: COPPER ALLOY
 - PLATING: CONTACT AREA: PERFORMANCE LEVEL 1 OR 2 (SEE TABLE) ACCORDING TO DIN 41612 AND EN 60603-2, TYPE G
 SOLDERSING AREA: 3-7µm TIN OVER 0,8µm NICKEL
- ⚠ CONNECTOR IS PRINTED WITH PARTNUMBER AND DATECODE

THIS DRAWING IS A CONTROLLED DOCUMENT.		DWN	J.van Hoek	19DEC2007	Tyco Electronics Corporation 's-Hertogenbosch, Nederland			
DIMENSIONS: mm		CHK	B.Mooij	19DEC2007				
TOLERANCES UNLESS OTHERWISE SPECIFIED:		APVD	J.Broeksteeg	19DEC2007				
0 PLC ± - 1 PLC ± - 2 PLC ± - 3 PLC ± - 4 PLC ± - ANGLES ± -		NAME		EUROCARD FEMALE CONNECTOR TYPE G 64 POS. STRAIGHT				
MATERIAL		PRODUCT SPEC		APPLICATION SPEC	SIZE	CAGE CODE	DRAWING NO	RESTRICTED TO
-		-		WEIGHT	A3	00779	C-9-1393755-0	-
		CUSTOMER DRAWING		SCALE	1:1	SHEET	1 OF 1	REV
								A