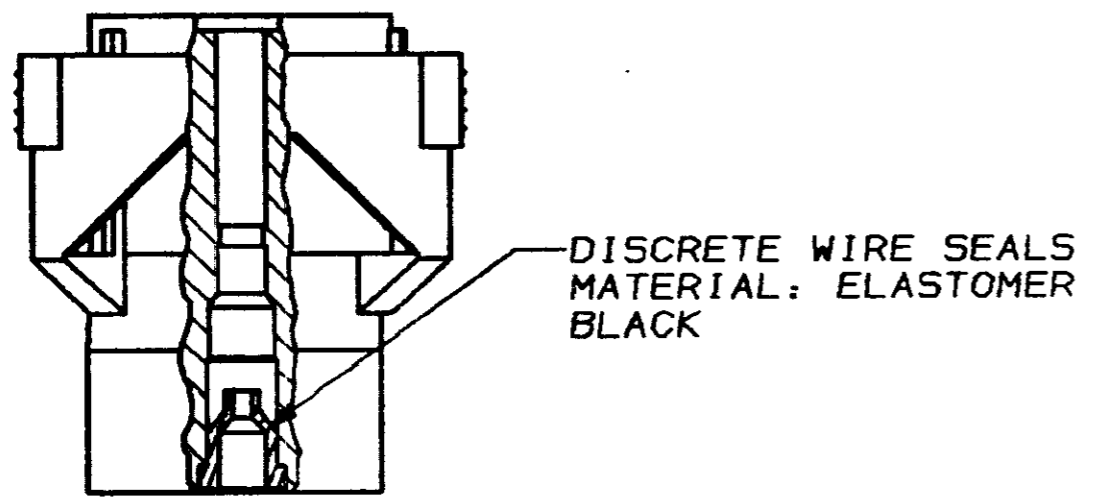
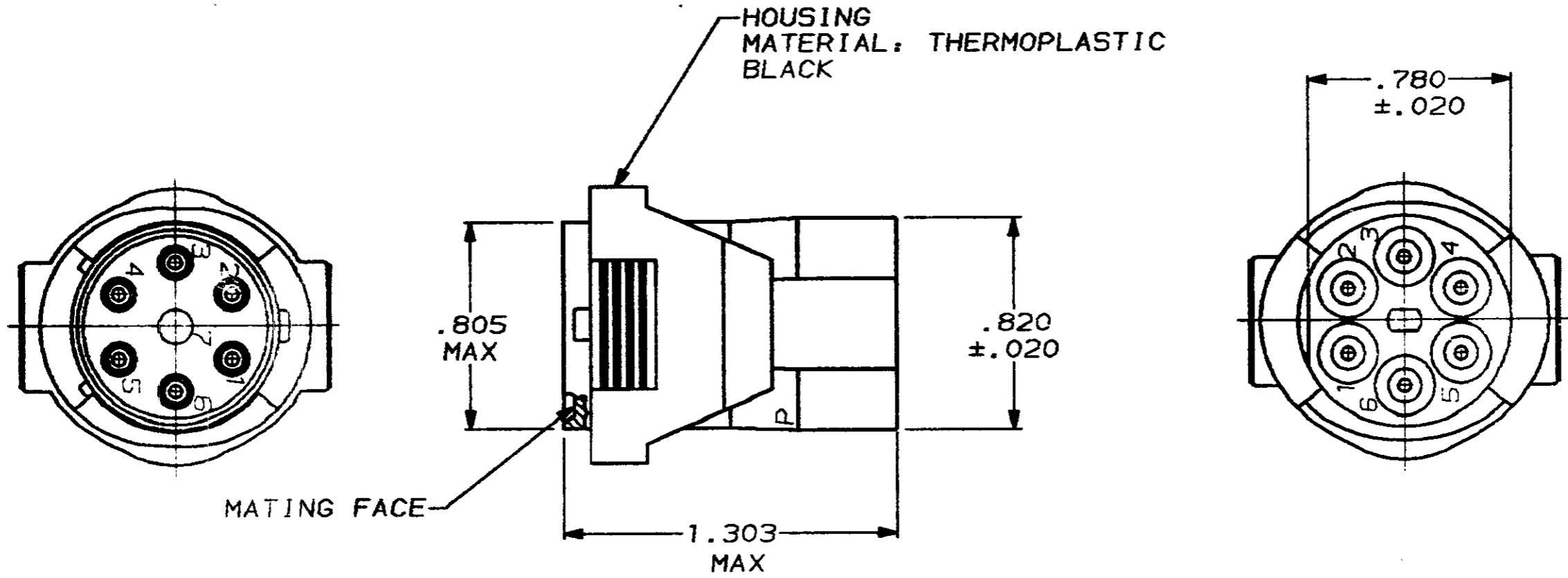


THIS DRAWING IS UNPUBLISHED. RELEASED FOR PUBLICATION .19
© COPYRIGHT 19 BY AMP INCORPORATED. ALL INTERNATIONAL RIGHTS RESERVED.

MOD	LOC	DIST	P	F	ZONE	LTR	REVISIONS	DATE	APPD
23	BD	39				E	REDRAWN AND REV PER ECN BD4183	8-17-90	KB



1. WIRE INSULATION SEALING RANGE .070-.130 DIA.
2. THIN MEMBRANE PERMISSIBLE ON SMALL DIAMETER OF WIRE SEALS.
3. ROTATION OF CAVITY CIRCUIT KEY FROM PART TO PART IS PERMISSIBLE.

207849-1
PART NUMBER

DO NOT SCALE PRINT. UNLESS SPECIFIED DIMENSIONS IN INCHES TOLERANCES ON: 2 PLC DEC ± - 3 PLC DEC ± - ANGLES ± -	DR 8-17-90 J GALLUCCI BG	AMP AMP INCORPORATED Harrisburg, Pa. 17105	
	CHK J. Mullins 1-4-91 APPD K. Beaver 1-19-91	NAME PLUG, 6 POSITION, STANDARD ECONOSEAL CONNECTOR	
MATERIAL SEE CALLOUT	APPD L. Simon 1/29/91	SIZE B	PSCH NO 00779
FINISH -	PRODUCT SPEC -	SCALE 2:1	DRAWING NO 207849
	APPLICAT. ON SPEC -		SHEET 1 OF 1
	WEIGHT -		