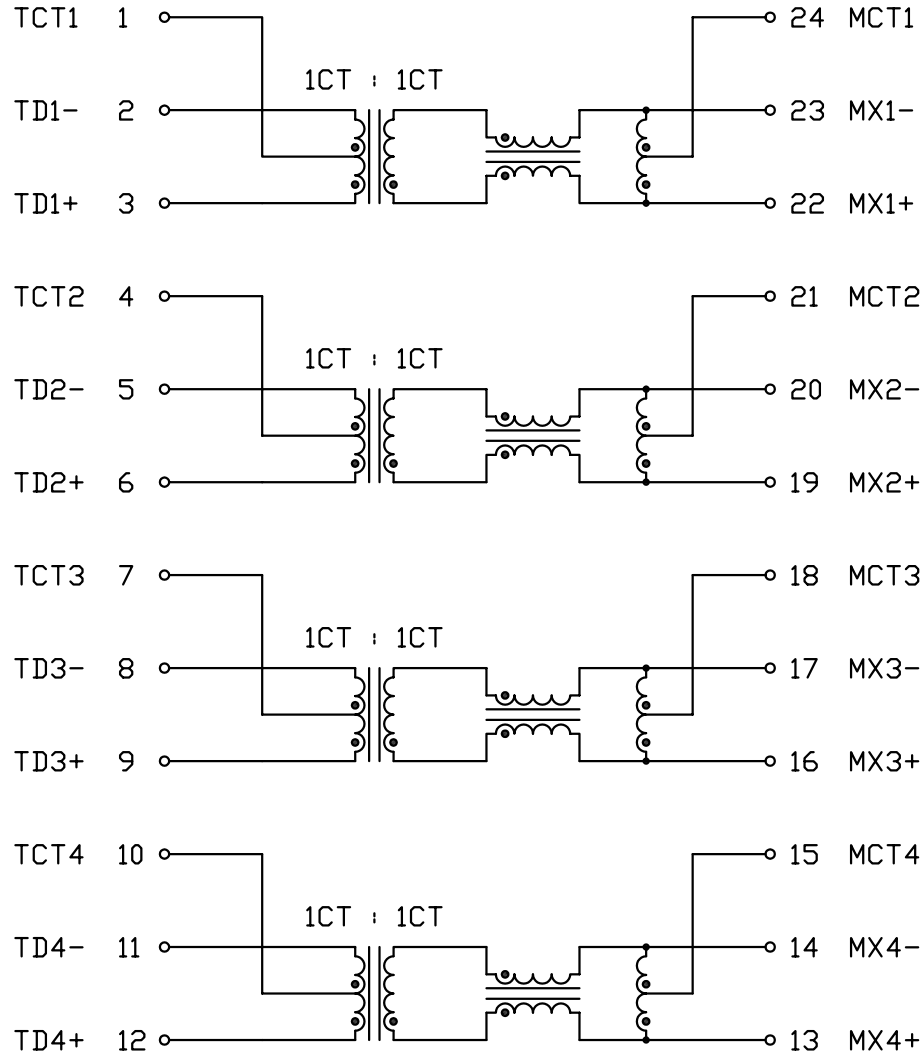


THE INFORMATION CONTAINED HEREIN IS CONSIDERED "PROPRIETARY" TO BEL FUSE INC. AND SHALL NOT BE COPIED, REPRODUCED OR DISCLOSED WITHOUT THE WRITTEN APPROVAL OF BEL FUSE INC.



SCHEMATIC



ELECTRICAL CHARACTERISTICS @25°C

<p>URNS RATIO (3-1-2) : (22-24-23) (6-4-5) : (19-21-20) (9-7-8) : (16-18-17) (12-10-11) : (13-15-14)</p>	<p>1CT : 1CT 1CT : 1CT 1CT : 1CT 1CT : 1CT</p>
<p>POLARITY</p>	<p>PER DOT CONVENTION</p>
<p>□CL (23-22), (20-19) (17-16), (14-13) OPERATING TEMPERATURE</p>	<p>350μH MIN @100kHz, 100mV WITH 8mA DC BIAS -40°C TO +85°C</p>
<p>INSERTION LOSS</p>	<p>1.1dB MAX @0.1 TO 1MHz 1.0dB MAX @1 TO 100MHz</p>
<p>COMMON TO COMMON MODE REJECTION</p>	<p>22.0dB MIN @30MHz 23.0dB MIN @50MHz 20.5dB MIN @80MHz 20.0dB MIN @100MHz</p>
<p>RETURN LOSS UNDER 100 ΩHM ±15% ENVIRONMENT</p>	<p>18dB MIN @0.5 TO 40MHz 12-20LOG (f/80MHz) MIN @40 TO 100MHz</p>
<p>CROSSTALK</p>	<p>33-20LOG (f/100MHz) dB MIN @1-100MHz</p>
<p>HIPOT</p>	<p>PER HAND-WORK-03</p>

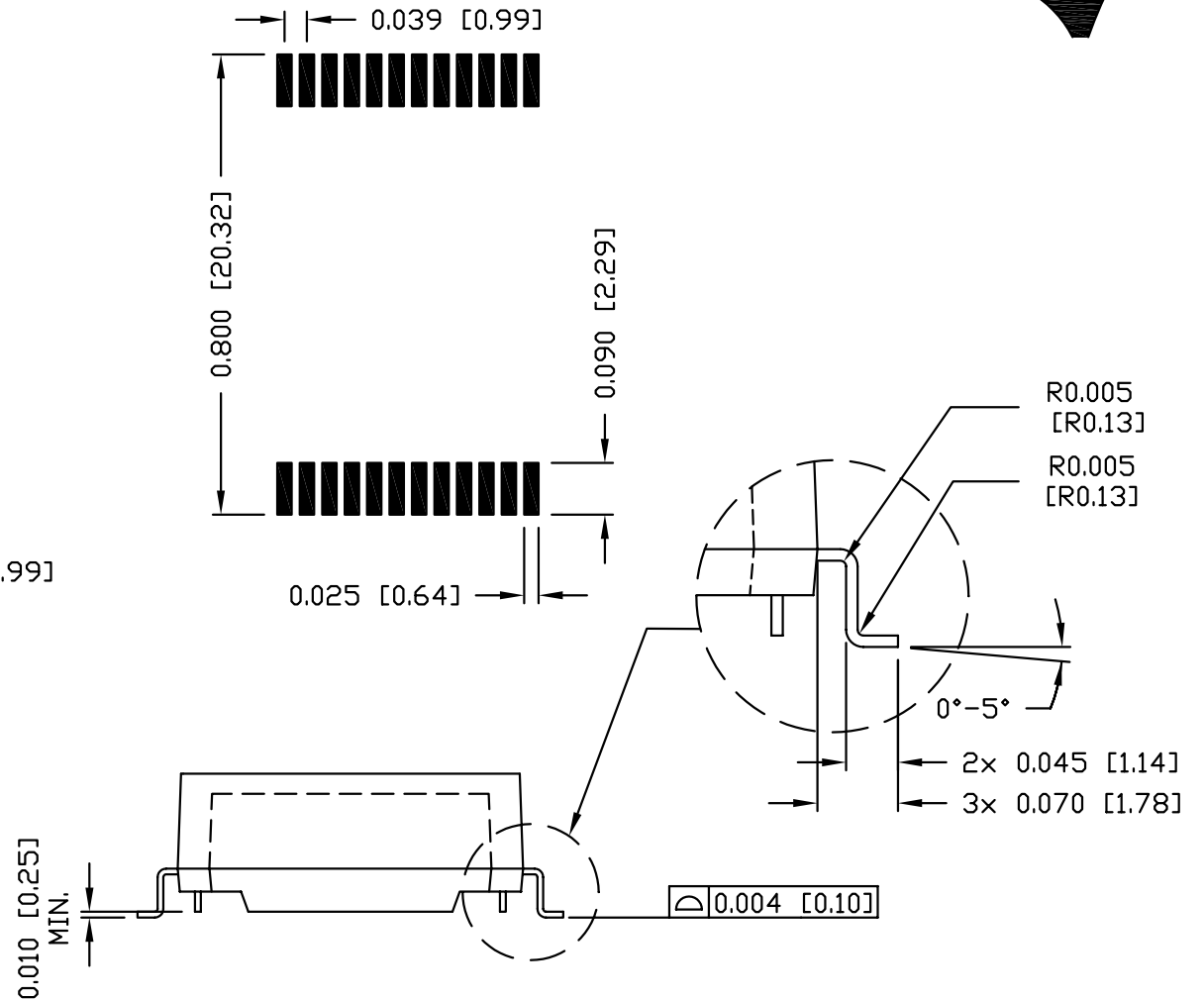
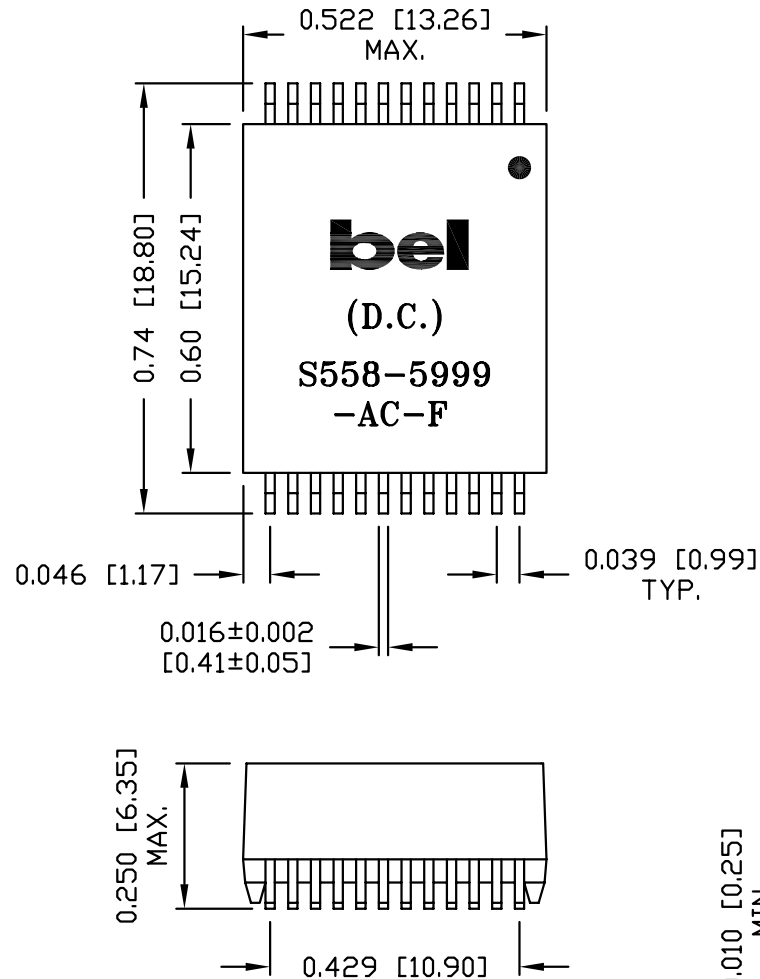
ORIGINATED BY	DATE	TITLE	PART NO. / DRAWING NO.	STANDARD DIM.	[] METRIC DIM. AS REFERENCE	
CH CHAN	05-11-10	ELECTRICAL SPECIFICATION	X5585999AC-F	TOL. IN INCH	UNIT : INCH [mm]	REV. : B
DRAWN BY	DATE		FILE NAME	.X	SCALE : N/A	SIZE : A4
HY ZHANG	05-11-10	S558-5999-AC-F	X5585999ACFB.DWG	.XX	PAGE : 2	
				.XXX		



THE INFORMATION CONTAINED HEREIN IS CONSIDERED "PROPRIETARY" TO BEL FUSE INC. AND SHALL NOT BE COPIED, REPRODUCED OR DISCLOSED WITHOUT THE WRITTEN APPROVAL OF BEL FUSE INC.



SUGGESTED PCB PAD LAYOUT



NOTES:

- STANDARD MARKING REFER TO DDC. HAND-WORK-04.
- PACKAGE CODE: "QTS001".

ORIGINATED BY LAWRENCE TSANG	DATE 05-11-10	TITLE MECHANICAL DRAWING S558-5999-AC-F	PART NO. / DRAWING NO. X5585999AC-F		STANDARD DIM. TOL. IN INCH		[] METRIC DIM. AS REFERENCE		
	DRAWN BY HY ZHANG		DATE 05-11-10	FILE NAME X5585999ACFB.DWG	.X ±0.01	.XX ±0.005	UNIT : INCH [mm]	REV. : B	
							SCALE : N/A	SIZE : A4	COMPONENTS FOR A CONNECTED PLANET
								PAGE : 3	