

4

3

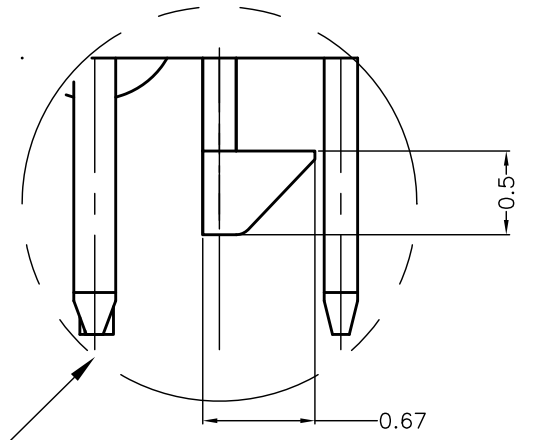
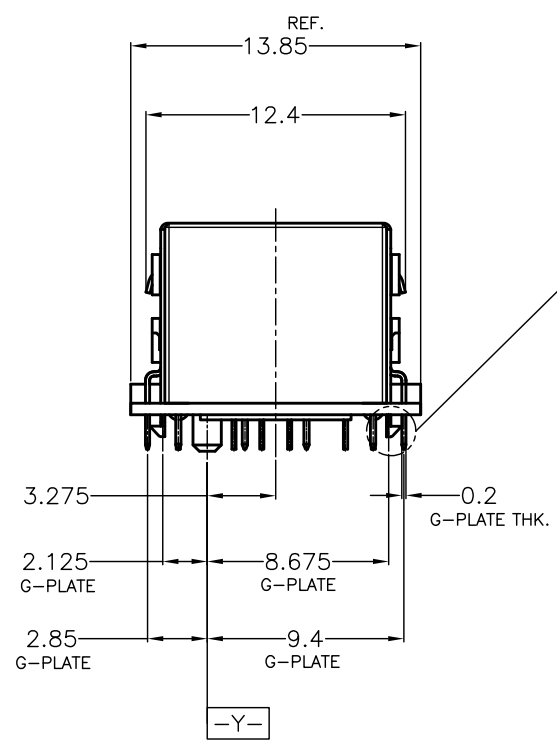
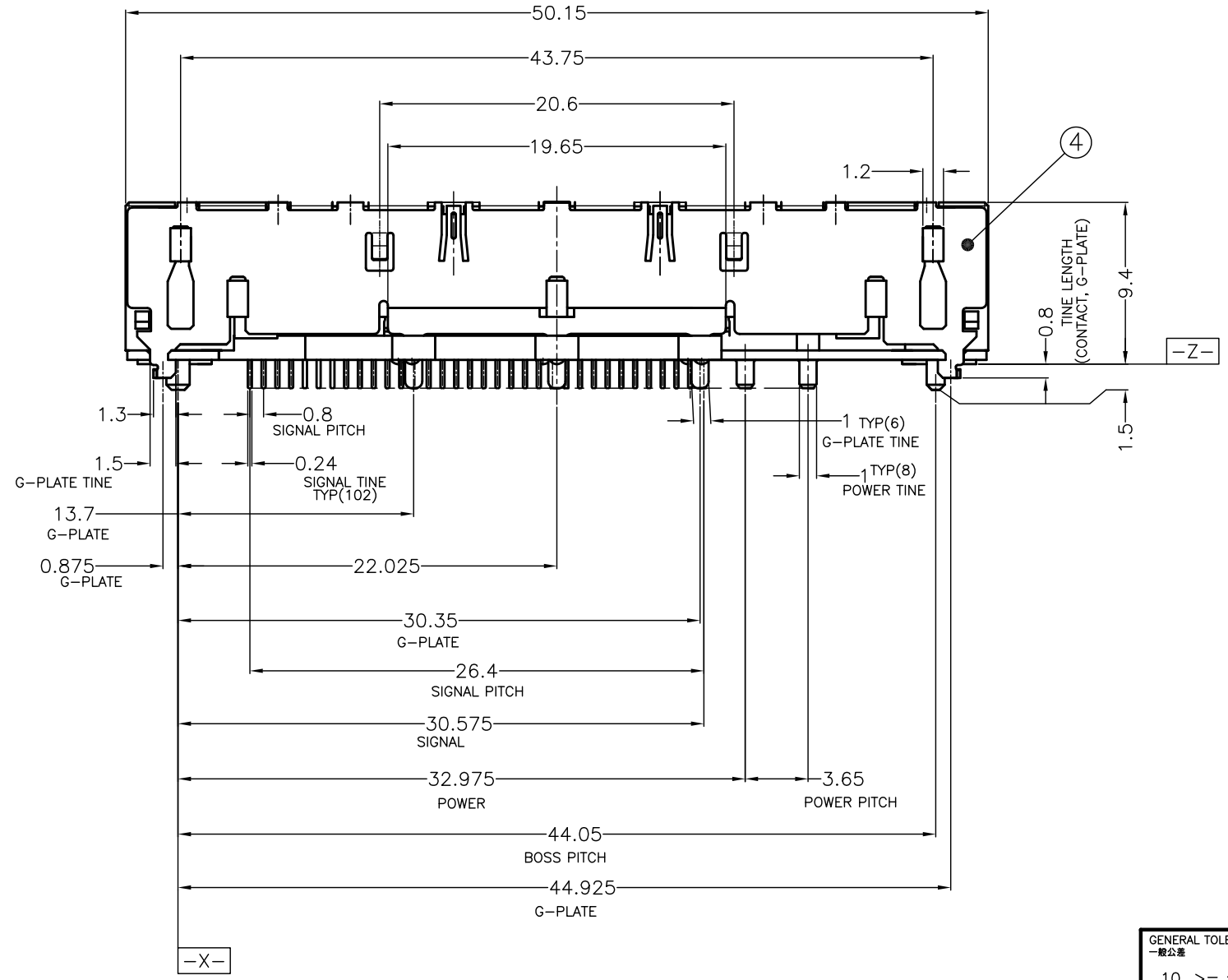
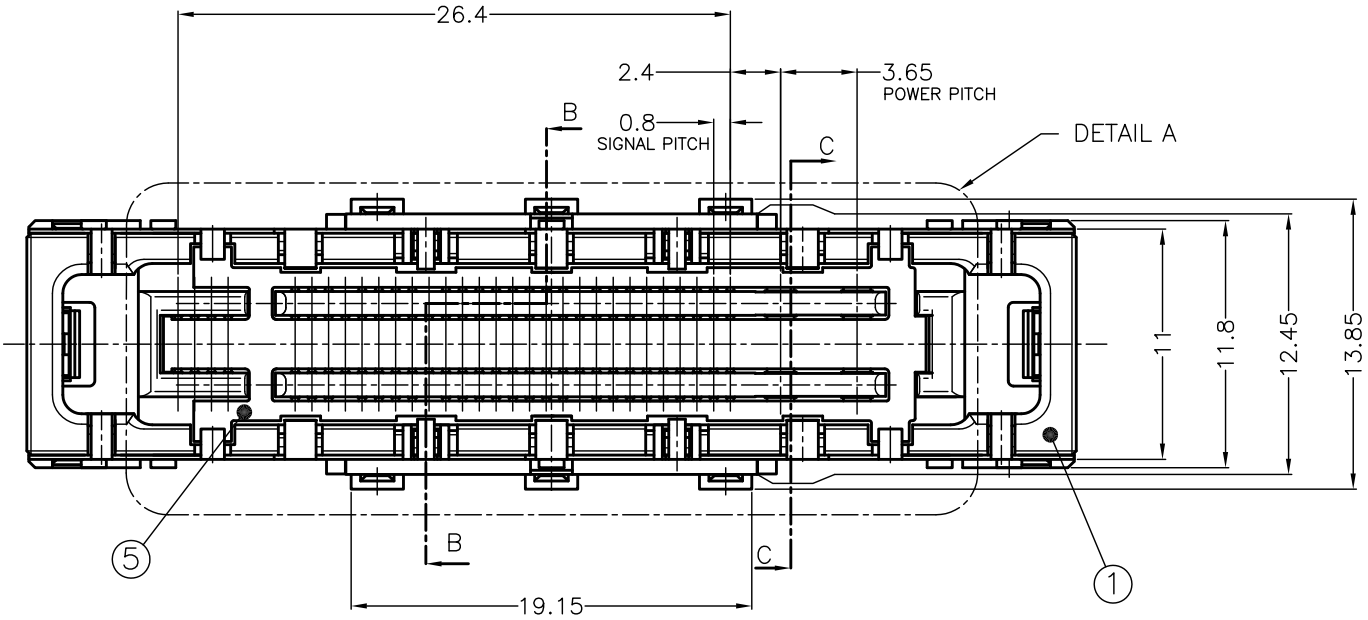
2

1

THIS DRAWING IS UNPUBLISHED.  
 RELEASED FOR PUBLICATION  
 © COPYRIGHT - By - ALL RIGHTS RESERVED.

LOC	DIST	REVISIONS					
DW		P	LTR	DESCRIPTION	DATE	DWN	APVD
		B1		REVISED (ECR-12-019624)	27NOV2012	B.W	H.K

2023000-1: AS SHOWN



THE NUMBER OF PINS  
 SIGNAL 108P  
 VOID 28P  
 POWER 8P

1	SEMI-HARD TRAY	8
2	SPRING	7
1	TINE PLATE	6
1	SHUTTER	5
2	G-PLATE	4
8	POWER CONTACT	3
108	SIGNAL CONTACT	2
1	PLUG HOUSING	1
-1	NAME	ITEM NO.

GENERAL TOLERANCE  
 一般公差  
 10 >= : ±0.2  
 30 >= 10: ±0.25  
 100 >= 30: ±0.3  
 ANGLES: ±3'

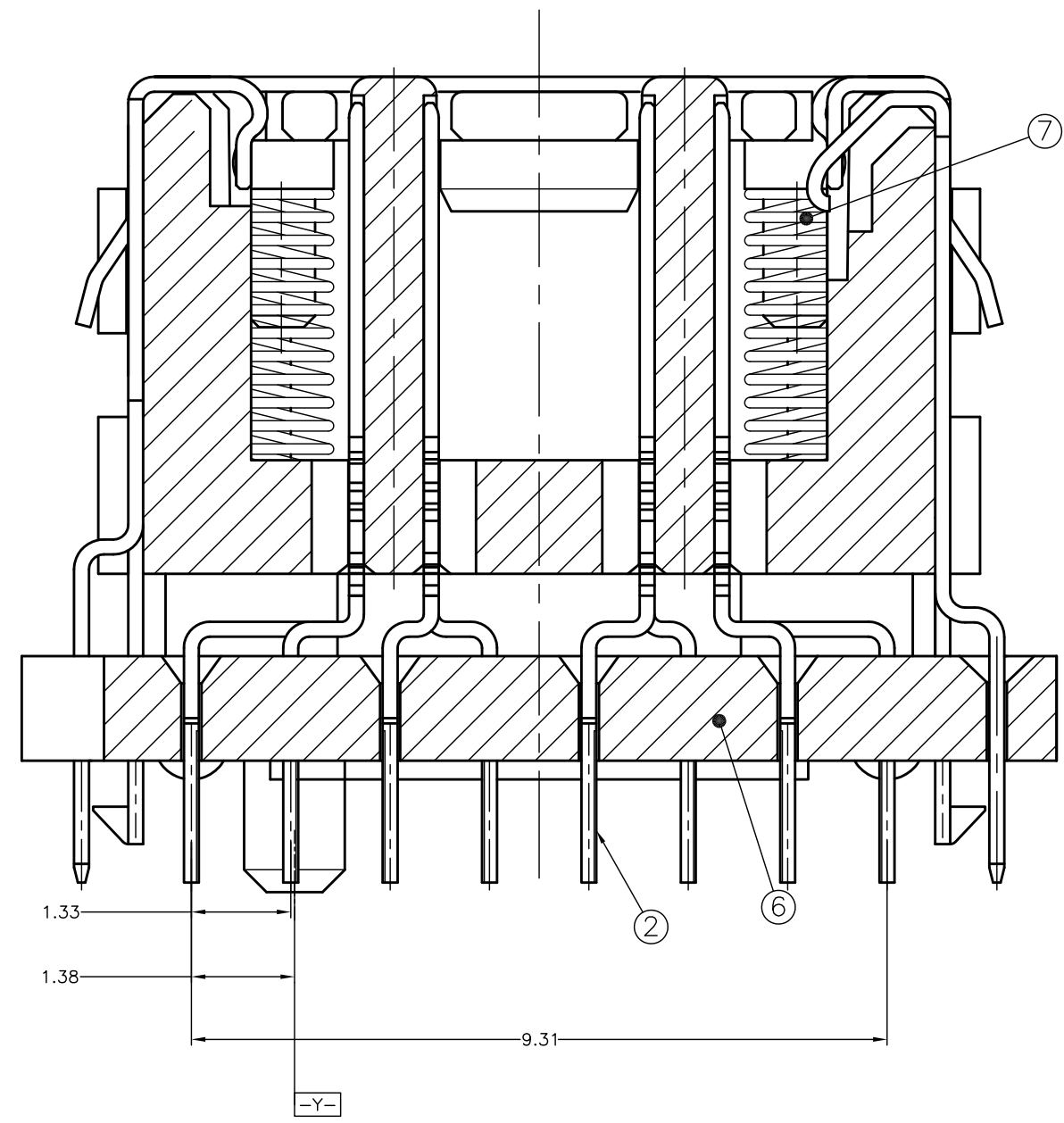
THIS DRAWING IS A CONTROLLED DOCUMENT.  
 DIMENSIONS: 單位: 毫米 mm  
 TOLERANCES UNLESS OTHERWISE SPECIFIED: 一般公差  
 0 PLC ±  
 1 PLC ±  
 2 PLC ±  
 3 PLC ±  
 4 PLC ±  
 MATERIAL 材料  
 FINISH 位上

25OCT07  
 V.PENG  
 25OCT07  
 K.KOBAYASHI  
 25OCT07  
 H.KODAMA  
 108-99013  
 00779  
 2023000  
 CUSTOMER DRAWING  
 SCALE 4:1  
 SHEET 1 of 6  
 REV B1

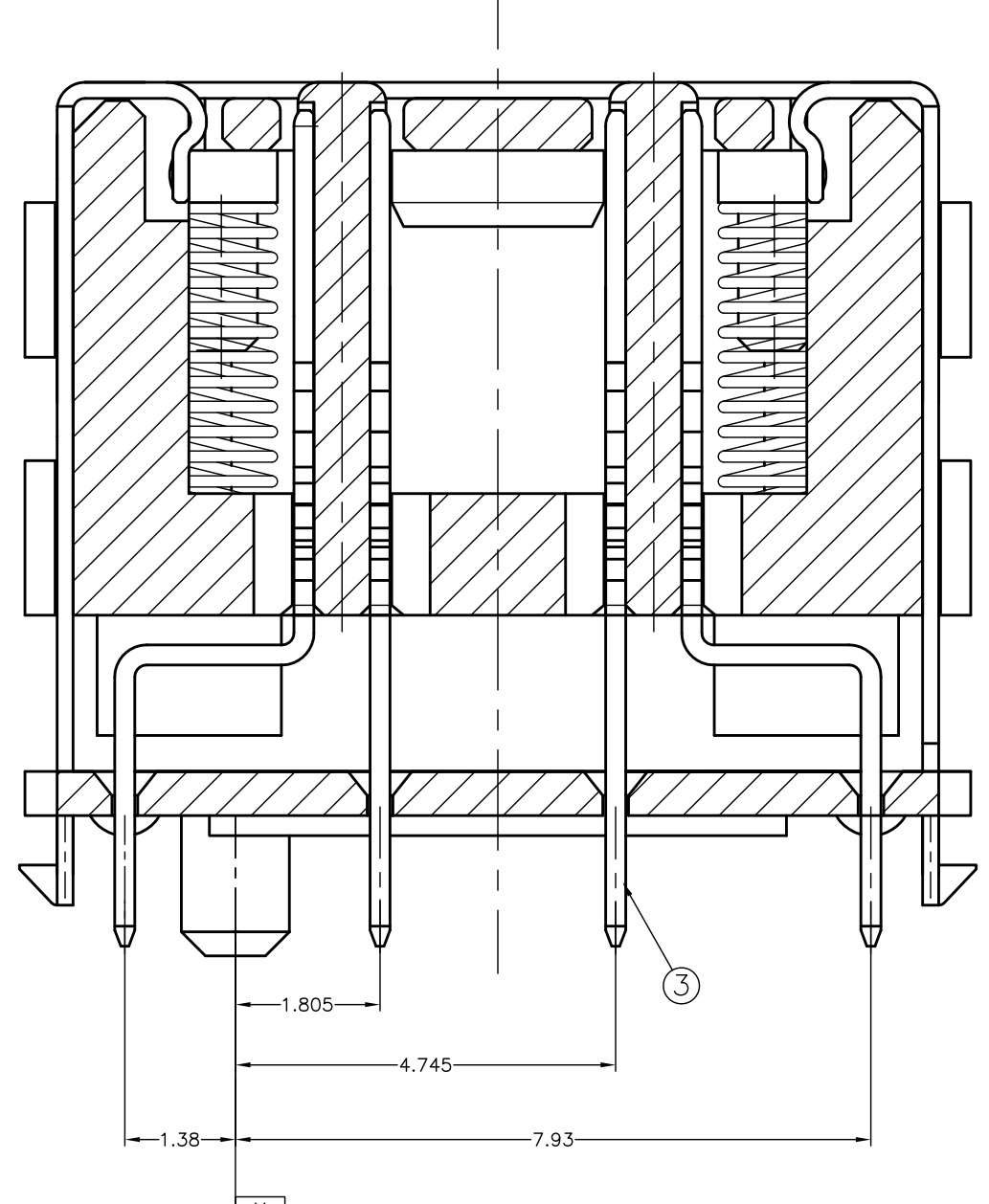
**STE** TE Connectivity  
 0.8 DOCKING CONNECTOR  
 PLUG 136P+POWER 8P

THIS DRAWING IS UNPUBLISHED.  
 RELEASED FOR PUBLICATION  
 ALL RIGHTS RESERVED.

LOC DW	DIST	REVISIONS 變更			DATE	DWN	APVD
P	LTR	DESCRIPTION					
-	-	SEE SHEET 1		-	-	-	



SECTION B-B



SECTION C-C

- △ MATERIAL
  - HOUSING : HIGH TEMP. THERMOPLASTIC, UL94V-0, BLACK
  - TINE PLATE : HIGH TEMP. THERMOPLASTIC, UL94V-0, BLACK
  - SIGNAL CONTACT: COPPER ALLOY
  - POWER CONTACT: COPPER ALLOY
  - GROUND PLATE : COPPER ALLOY
- △ FINISH
  - SIGNAL CONTACT & POWER CONTACT:
    - Au PL. 0.3μm MIN. ON CONTACT AREA
    - Sn PL. 2~5μm MIN. ON SOLDER AREA
    - Ni UNDER PL. 2μm MIN. ALL OVER
  - GROUND PLATE:
    - NICKEL PL. 0.2μm MIN ALL OVER, PRE-TIN 1μm-2μm (REFLOW)
- 3 APPLICABLE THICKNESS OF P.C.BOARD: 1.0±0.1mm
- 4 CONNECTOR TO BE MATED: 2023001-1(STACKING HEIGHT 22.6mm)

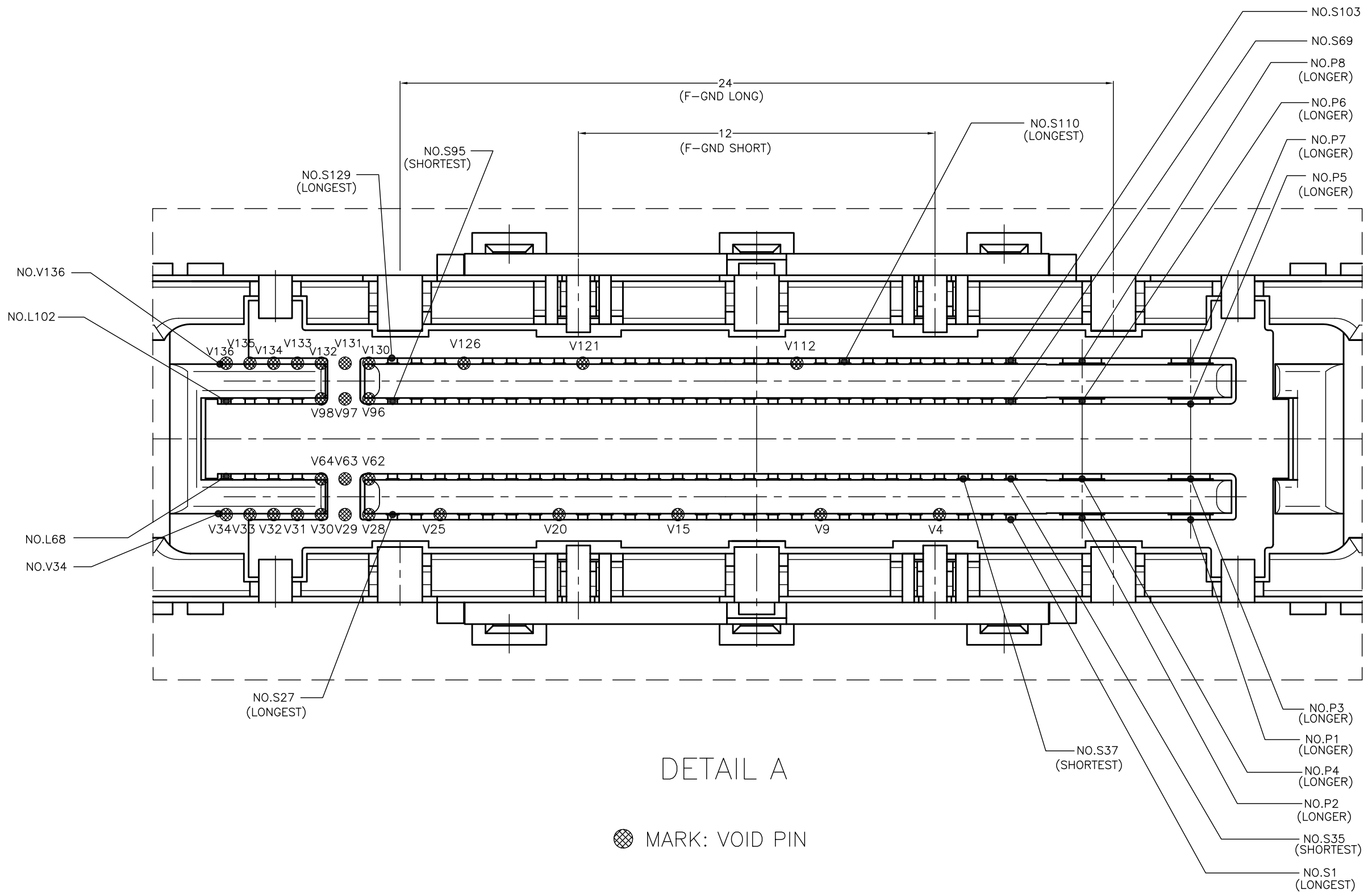
THIS DRAWING IS A CONTROLLED DOCUMENT.		DWN	TE Connectivity													
DIMENSIONS: 單位: 毫米 mm		CHK														
TOLERANCES UNLESS OTHERWISE SPECIFIED: 一般公差		APVD	NAME 名稱													
<table border="1"> <tr><td>0 PLC</td><td>±</td></tr> <tr><td>1 PLC</td><td>±</td></tr> <tr><td>2 PLC</td><td>±</td></tr> <tr><td>3 PLC</td><td>±</td></tr> <tr><td>4 PLC</td><td>±</td></tr> <tr><td>ANGLES</td><td>±</td></tr> </table>		0 PLC	±	1 PLC	±	2 PLC	±	3 PLC	±	4 PLC	±	ANGLES	±	PRODUCT SPEC 製品規格	0.8 DOCKING CONNECTOR PLUG 136P+POWER 8P	
0 PLC	±															
1 PLC	±															
2 PLC	±															
3 PLC	±															
4 PLC	±															
ANGLES	±															
MATERIAL 材料		WEIGHT	APPLICATION SPEC 取付適用規格	RESTRICTED TO												
FINISH 位上		CUSTOMER DRAWING	SIZE A2	CAGE CODE 00779												
			DRAWING NO 2023000	REV B1												
			SCALE 尺度 16:1	SHEET 2 of 6												

THIS DRAWING IS UNPUBLISHED.  
 RELEASED FOR PUBLICATION  
 ALL RIGHTS RESERVED.

LOC	DIST	REVISIONS				
DW		REV	DESCRIPTION	DATE	DWN	APVD
		-	SEE SHEET 1	-	-	-

D  
C  
B  
A

D  
C  
B  
A



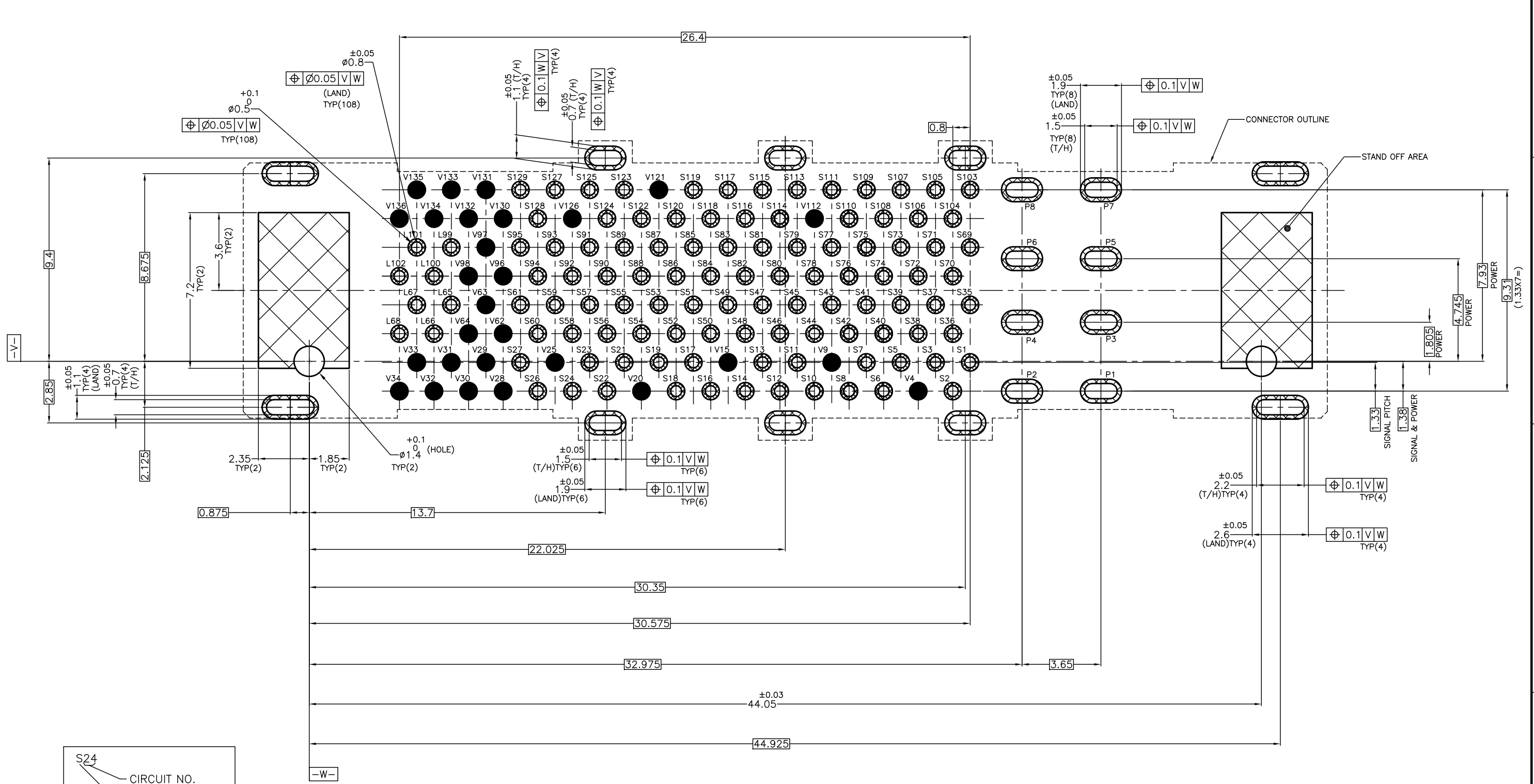
DETAIL A

⊗ MARK: VOID PIN

THIS DRAWING IS A CONTROLLED DOCUMENT.		DWN	TE Connectivity	
DIMENSIONS: 單位: 毫米 mm		CHK	NAME 名稱	
		APVD	0.8 DOCKING CONNECTOR PLUG 136P+POWER 8P	
TOLERANCES UNLESS OTHERWISE SPECIFIED 一般公差		PRODUCT SPEC 製品規格	SIZE	CAGE CODE
0 PLC ±		APPLICATION SPEC 取付適用規格	A2	00779
1 PLC ±		WEIGHT	DRAWING NO 圖號	
2 PLC ±			2023000	
3 PLC ±		CUSTOMER DRAWING	SCALE 尺碼	10:1
4 PLC ±			SHEET	3 of 6
ANGLES ±			REV	B1
FINISH 位上				

THIS DRAWING IS UNPUBLISHED. RELEASED FOR PUBLICATION  
 © COPYRIGHT - By - ALL RIGHTS RESERVED.

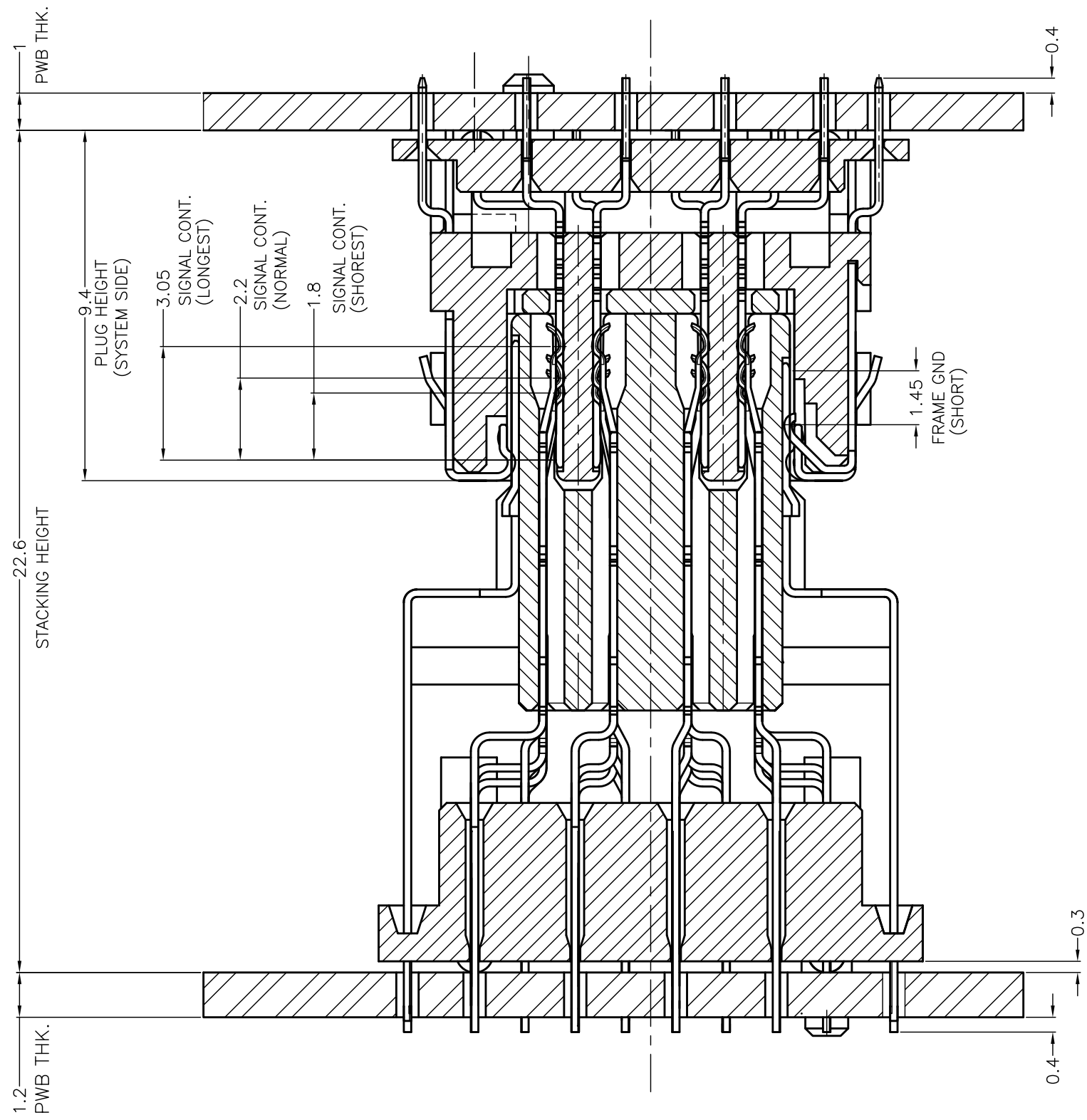
LOC	DIST	REVISIONS					
DW		P	LTR	DESCRIPTION	DATE	DWN	APVD
		-	-	SEE SHEET 1	-	-	-



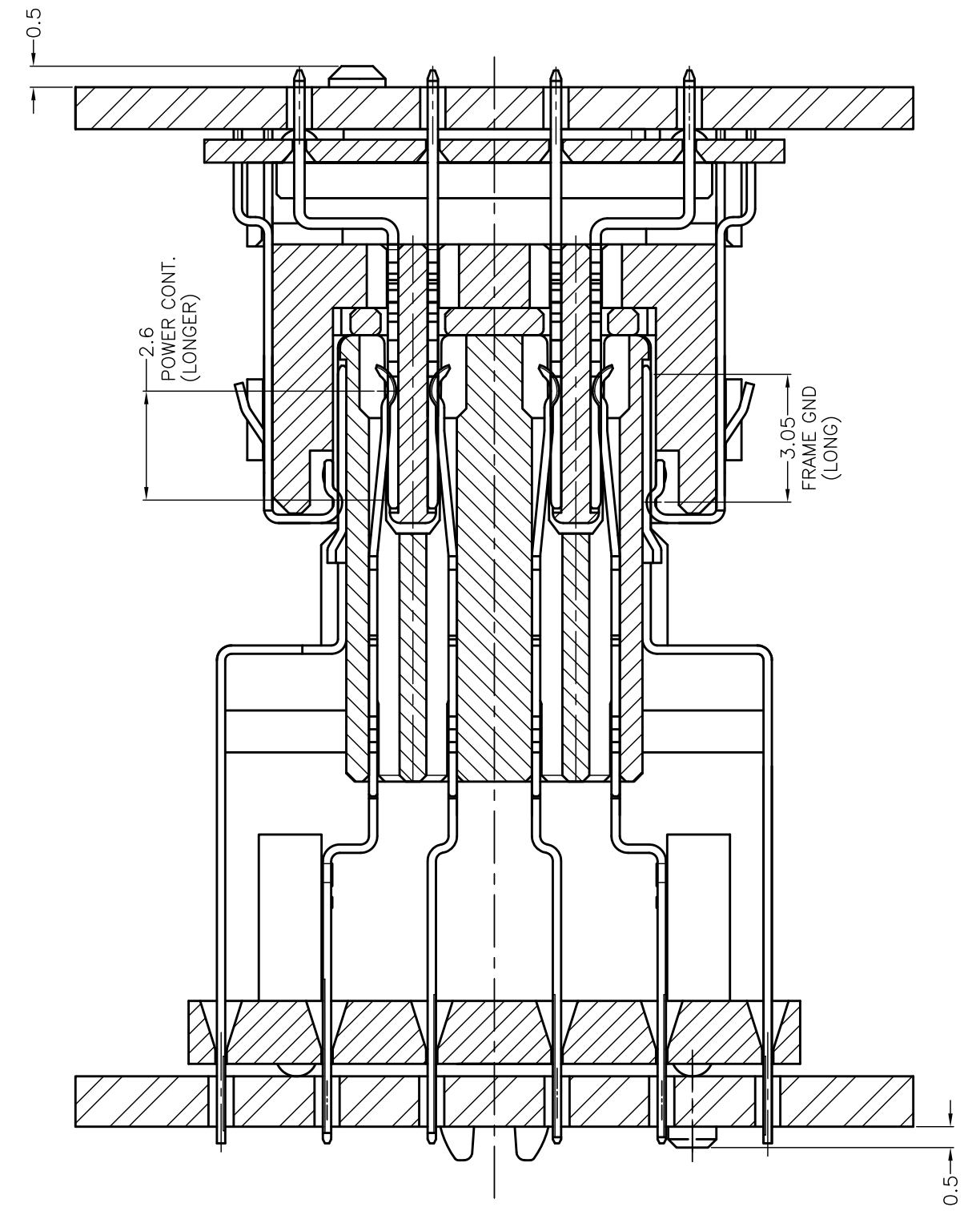
S24  
 CIRCUIT NO.  
 L: LAN  
 S: SIGNAL  
 P: POWER  
 V: VOID

REFERENCE P.C.BOARD LAYOUT  
 MOUNTING SIDE

THIS DRAWING IS A CONTROLLED DOCUMENT.		DWN	TE Connectivity	
DIMENSIONS: 單位: 毫米 mm		CHK	NAME 名稱	
TOLERANCES UNLESS OTHERWISE SPECIFIED 一般公差		APVD	0.8 DOCKING CONNECTOR PLUG 136P+POWER 8P	
0 PLC ±		PRODUCT SPEC 製品規格	SIZE	CAGE CODE
1 PLC ±		APPLICATION SPEC 取付適用規格	A2	00779
2 PLC ±		WEIGHT	DRAWING NO 圖號	
3 PLC ±			C-2023000	
4 PLC ±		CUSTOMER DRAWING	SCALE 尺度	SHEET 4 of 6
ANGLES ±			8:1	REV B1
FINISH 位上				



SECTION OF SIGNAL CONT.



SECTION OF POWER CONT.

DIMENSIONS ARE REFERENCE ONLY.

THIS DRAWING IS A CONTROLLED DOCUMENT.		DWN	<b>STE</b> TE Connectivity	
DIMENSIONS: 單位: 毫米 mm		CHK		
TOLERANCES UNLESS OTHERWISE SPECIFIED. 一般公差		APVD	NAME 名稱	
0 PLC ±		PRODUCT SPEC 製品規格	0.8 DOCKING CONNECTOR	
1 PLC ±		APPLICATION SPEC 取付適用規格	PLUG 136P+POWER 8P	
2 PLC ±		WEIGHT -	SIZE A2	CAGE CODE 00779
3 PLC ±		CUSTOMER DRAWING	DRAWING NO. 2023000	RESTRICTED TO
4 PLC ±			SCALE 尺度 10:1	SHEET 5 of 6
ANGLES ±			REV B1	
FINISH 位上				

4

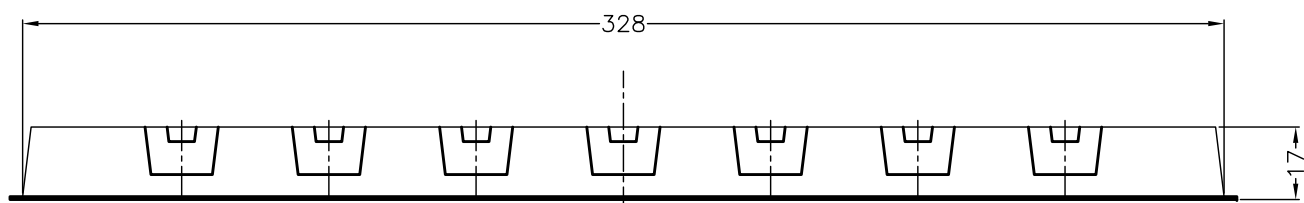
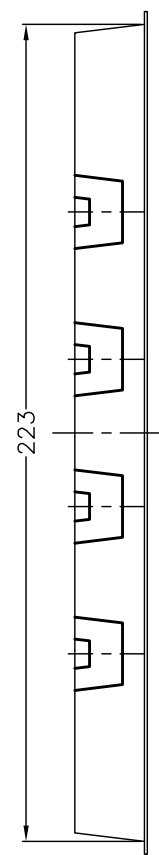
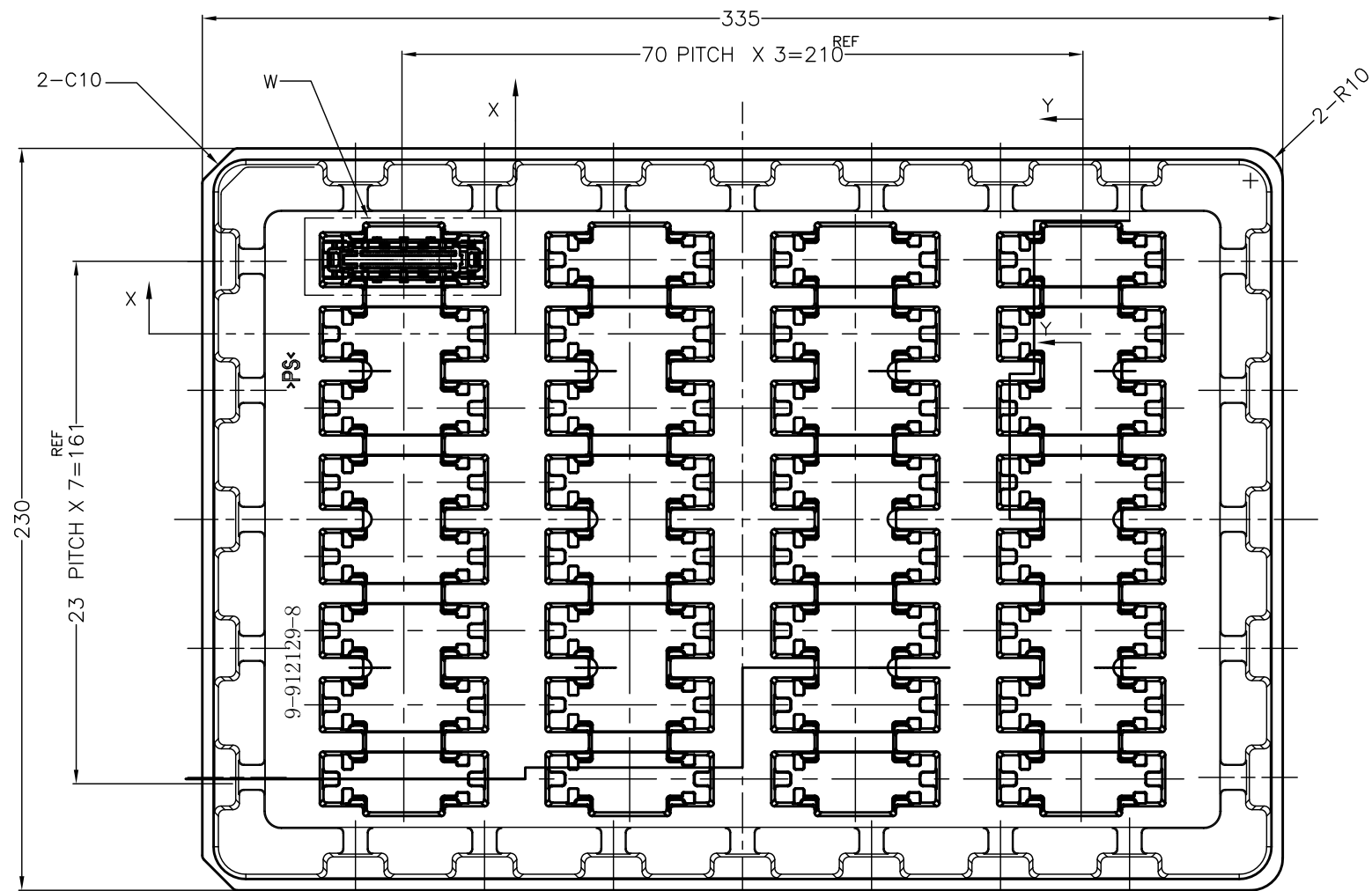
3

2

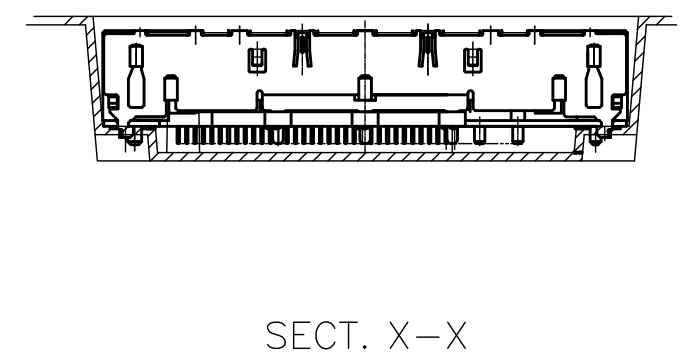
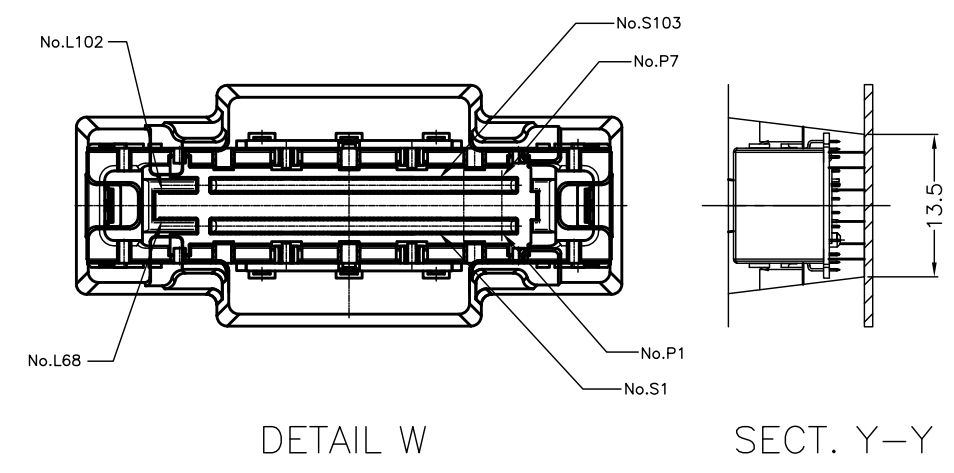
1

THIS DRAWING IS UNPUBLISHED. RELEASED FOR PUBLICATION  
 © COPYRIGHT - By - ALL RIGHTS RESERVED.

LOC		DIST		REVISIONS			DATE	DWN	APVD
P	LTR	DESCRIPTION							
-	-	SEE SHEET 1			-	-	-	-	-



QUANTITY : 32EA/TRAY



THIS DRAWING IS A CONTROLLED DOCUMENT.		DWN		TE Connectivity		NAME		RESTRICTED TO	
DIMENSIONS: 單位: 耗 mm		TOLERANCES UNLESS OTHERWISE SPECIFIED 一般公差				PRODUCT SPEC 製品規格		DRAWING NO 番号	
MATERIAL 材料		FINISH 仕上		APVD		APPLICATION SPEC 取付適用規格		SIZE	
				CHK		00779		A2	
				APVD		CAGE CODE		DRAWING NO	
				PRODUCT SPEC		00779		2023000	
				APPLICATION SPEC		SCALE		SHEET	
				WEIGHT		NTS		6 of 6	
				CUSTOMER DRAWING		REV		B1	