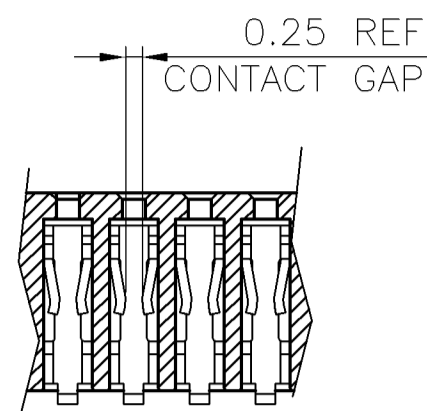
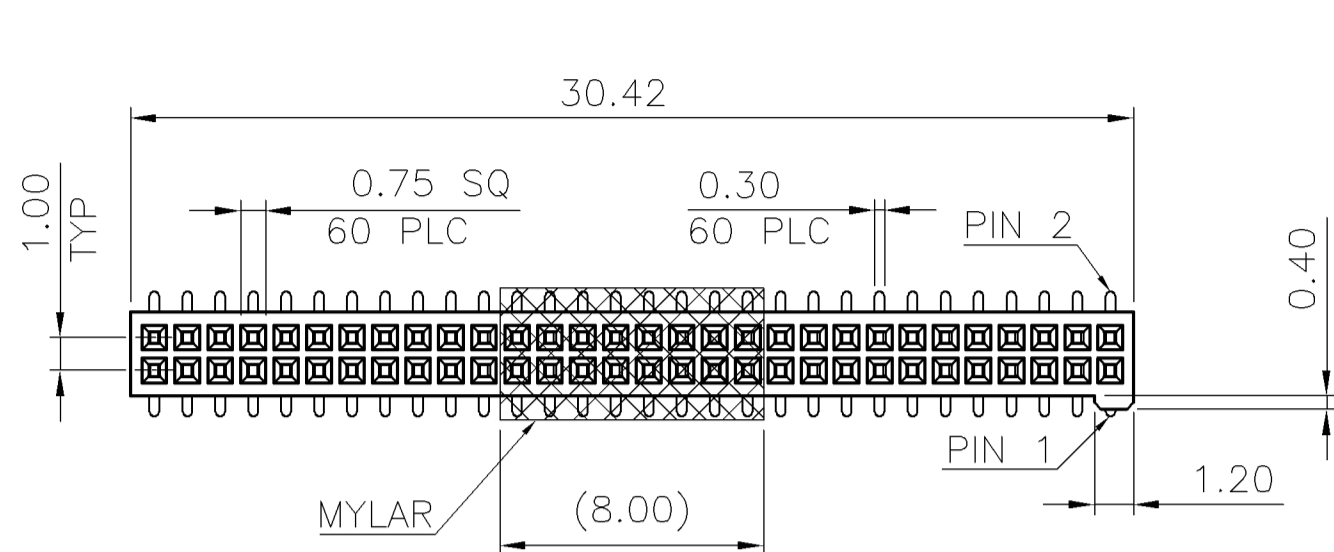


THIS DRAWING IS UNPUBLISHED. RELEASED FOR PUBLICATION

© COPYRIGHT BY TYCO ELECTRONICS CORPORATION. ALL RIGHTS RESERVED.

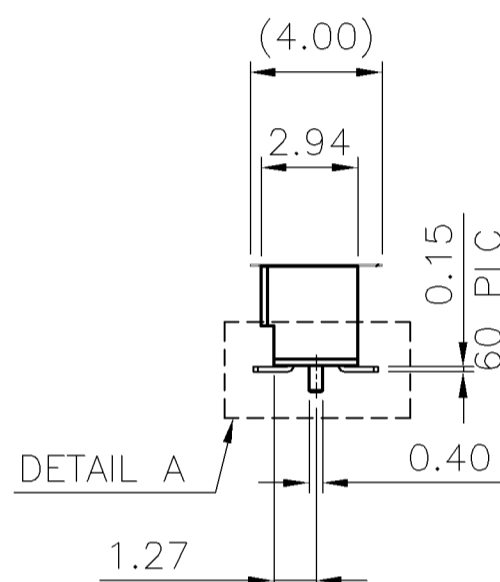
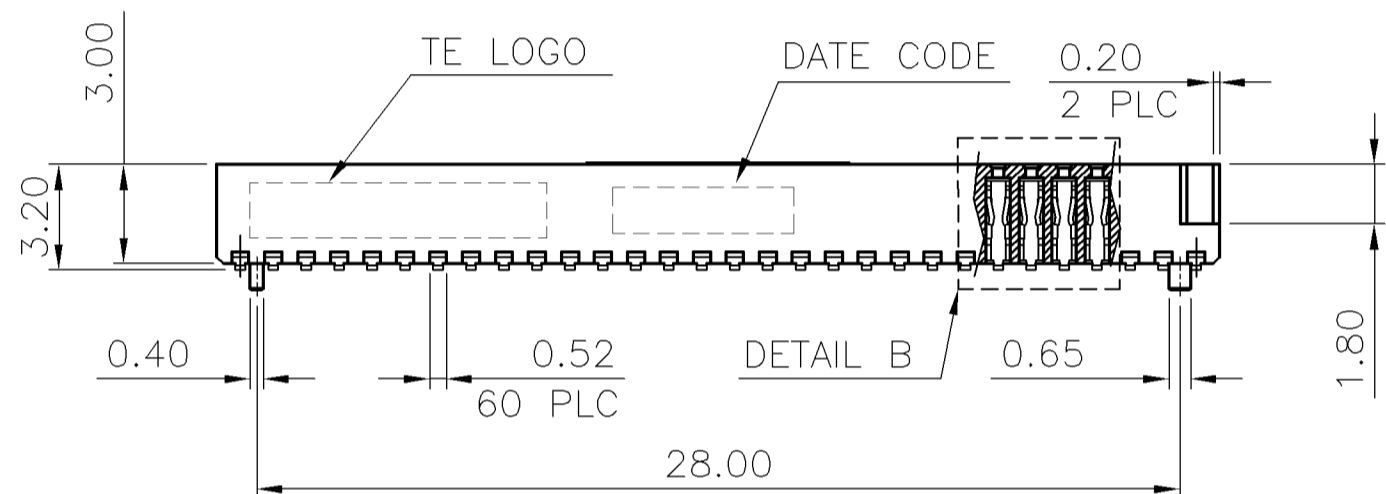
LOC		DIST		REVISIONS					
DW				P	LTR	DESCRIPTION	DATE	DWN	APVD
					B	ECR-09-024722	11NOV09	AW	WK



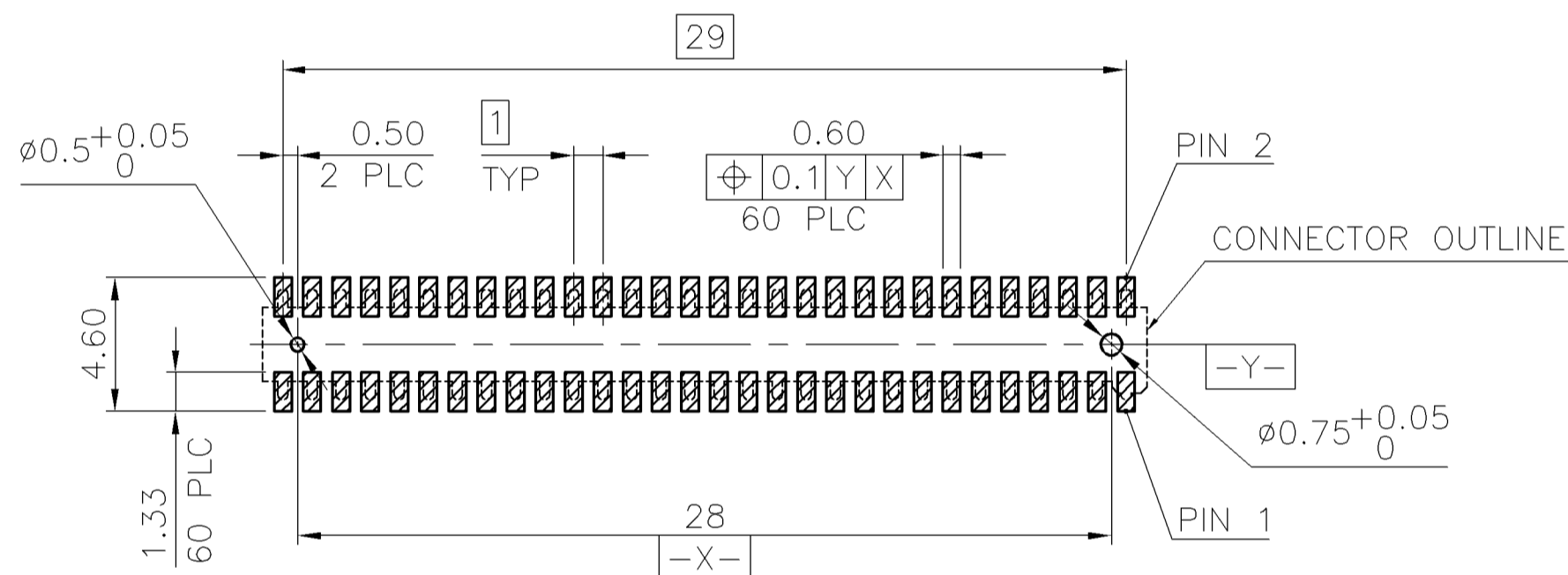
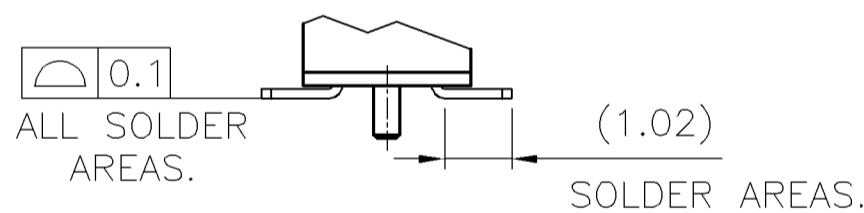
DETAIL B SCALE 2:1

NOTE:

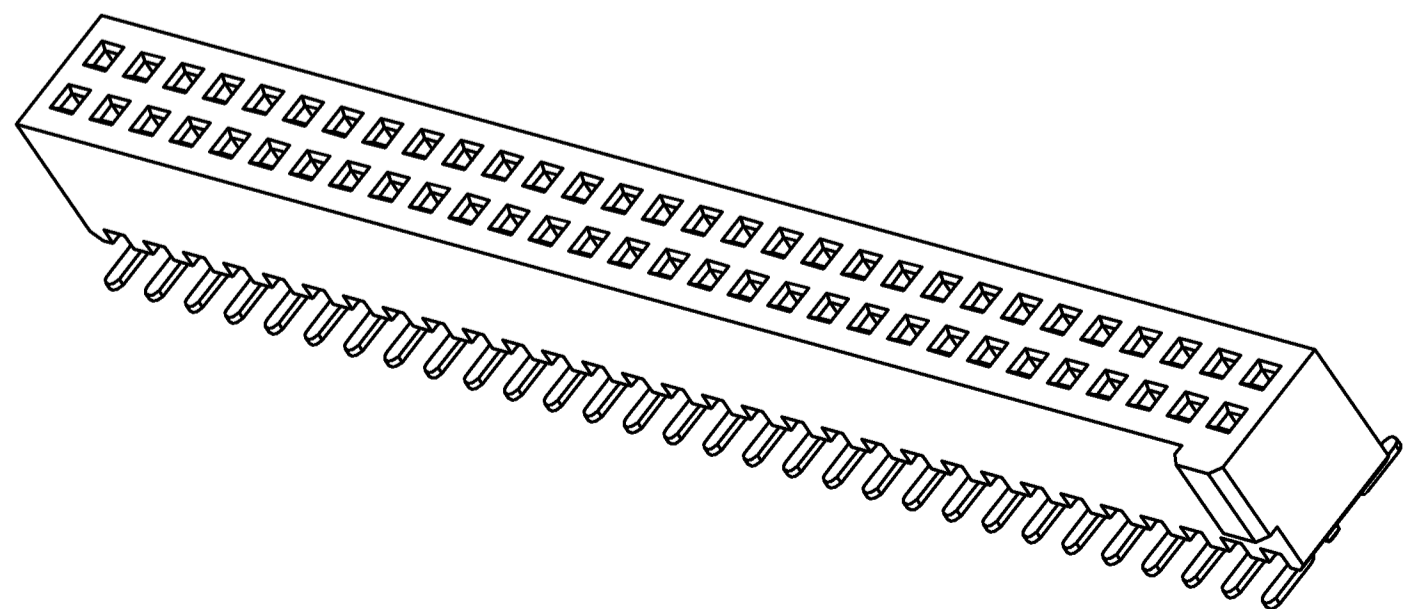
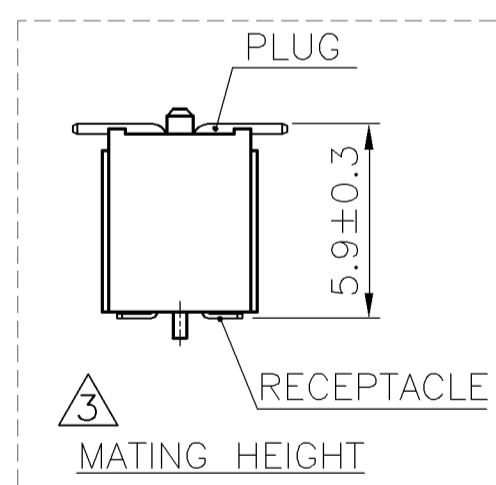
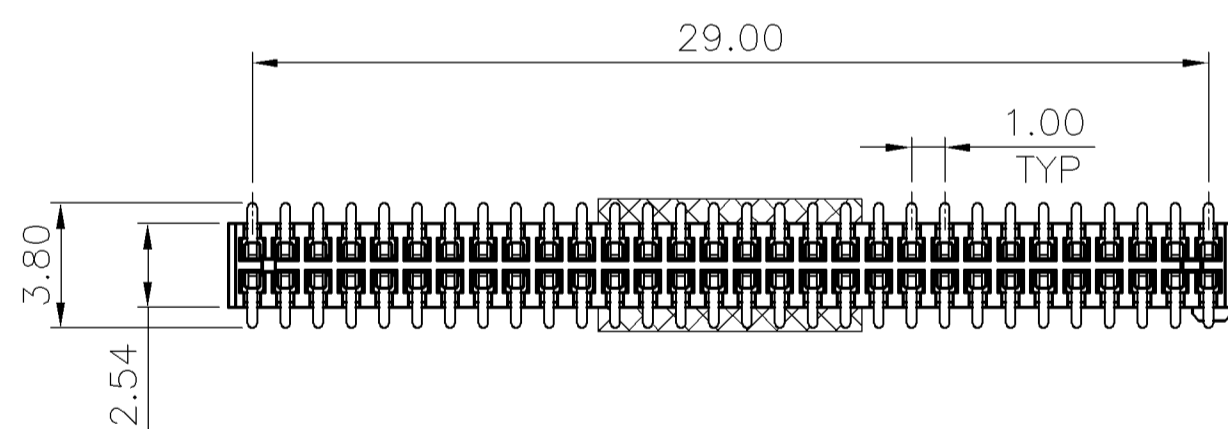
- MATERIAL:
HOUSING: PA9T WITH 33% GF, UL 94V-0, BLACK COLOR.
CONTACTS: BRASS.
MYLAR: PI.
- FINISH:
CONTACTS: GOLD FLASH PLATED ON CONTACT AREA, GOLD FLASH OVER 1.27μm [50μ"] MIN. NICKEL ON ENTIRE CONTACT.
- MATING PLUG PART NUMBER: 1775730-1.
- REFLOW SOLDER CAPABLE TO 260°C PER TEC-109-201, CONDITION B.



DETAIL A SCALE 2:1



SOLDER AREAS
 TOLERANCE: ±0.05, THICKNESS: 1.2
RECOMMENDED PCB LAYOUT
 (TOP VIEW)



1775731-1

PART NUMBER

THIS DRAWING IS A CONTROLLED DOCUMENT.		DWN A. WU	04SEP2008	Tyco Electronics Corporation Taipei, Taiwan	
DIMENSIONS: MM		CHK S. CHIEN	04SEP2008	NAME	
		APVD W. KODAMA	04SEP2008	1.0 PITCH BOX HEADER, TWO-ROW, 60 POSITION, SMT, 5.9 MATING HEIGHT, RECEPTACLE	
TOLERANCES UNLESS OTHERWISE SPECIFIED:		PRODUCT SPEC 108-57708		SIZE	CAGE CODE
0 PLC ± -	1 PLC ± 0.3	APPLICATION SPEC		DRAWING NO	RESTRICTED TO
2 PLC ± 0.25	3 PLC ± 0.2	-		A300779	C=1775731
4 PLC ± -	ANGLES ± 3'	MATERIAL SEE NOTE		WEIGHT 0.504 GRAMS	SCALE -
FINISH SEE NOTE		CUSTOMER DRAWING		SHEET 1 OF 2	REV B

4

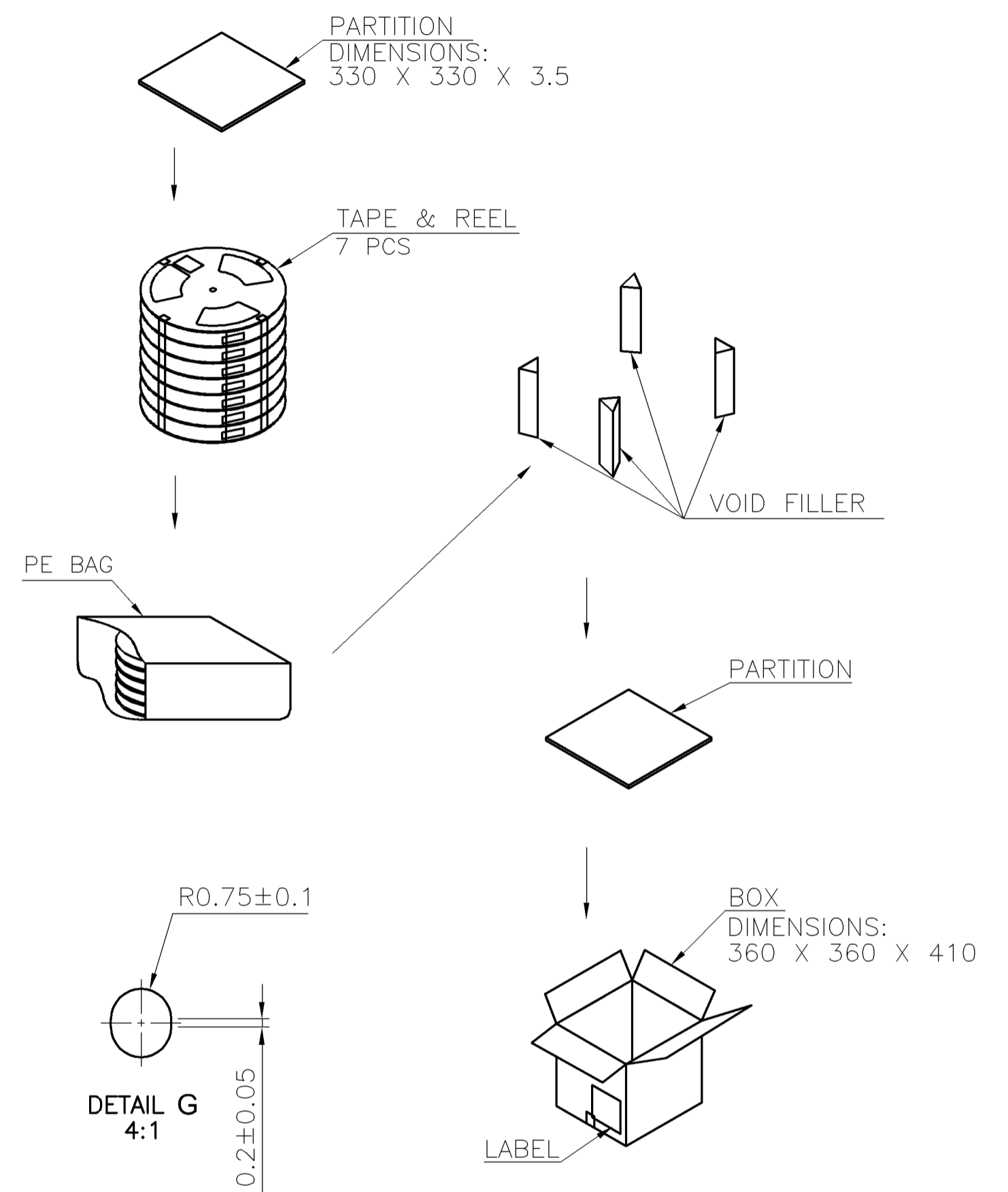
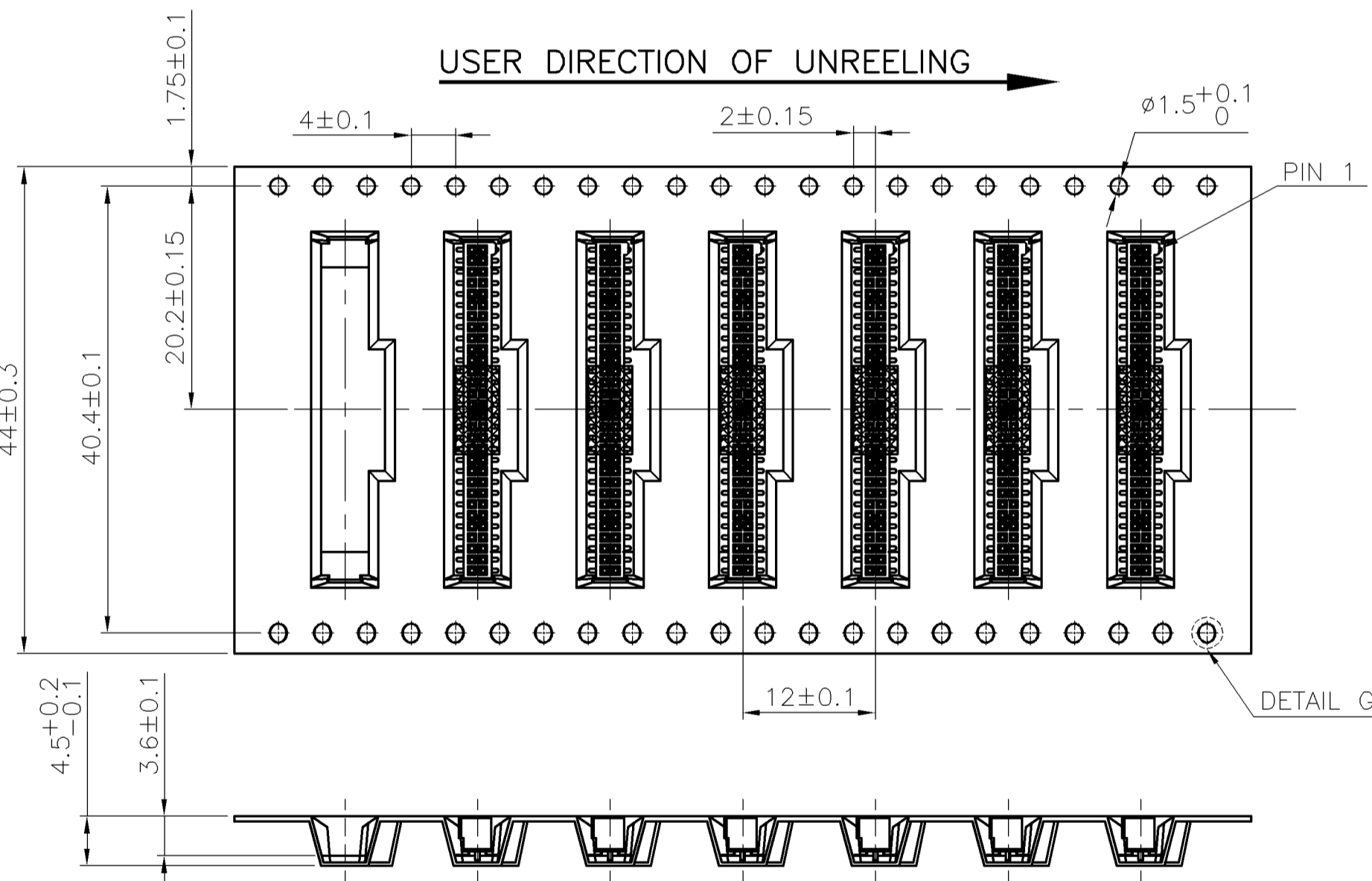
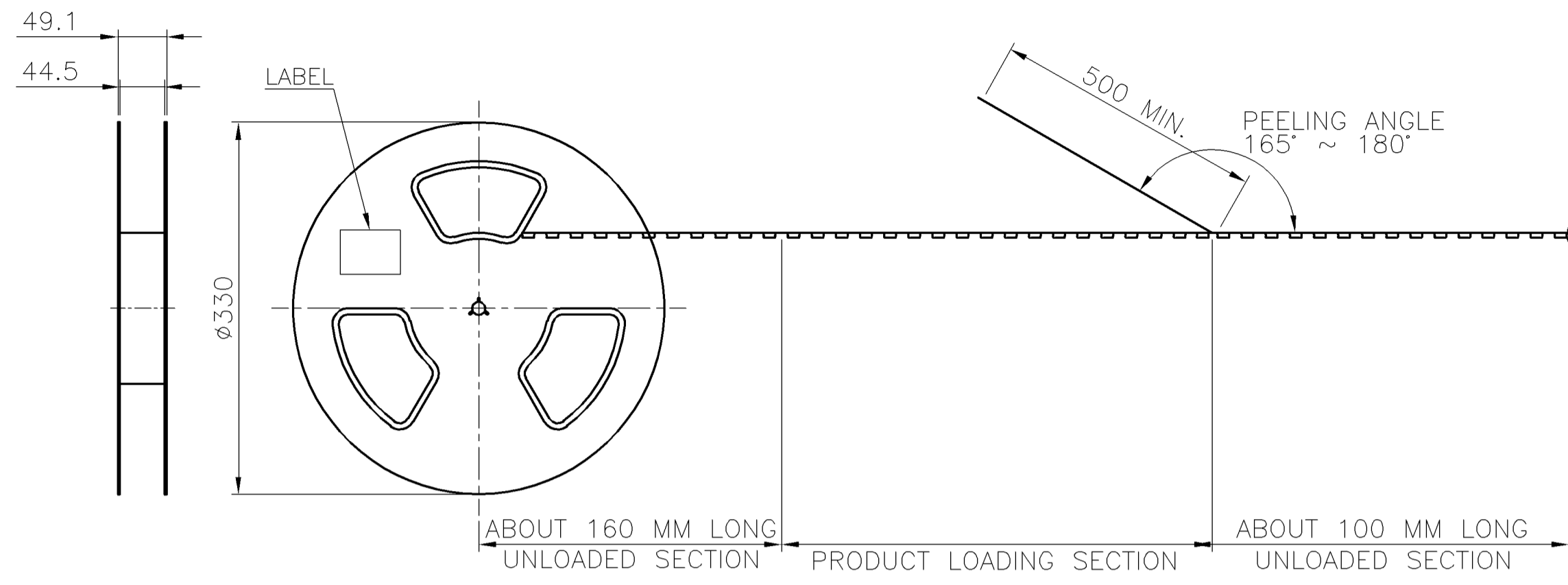
3

2

1

THIS DRAWING IS UNPUBLISHED. RELEASED FOR PUBLICATION
 © COPYRIGHT BY TYCO ELECTRONICS CORPORATION. ALL RIGHTS RESERVED.

LOC	DIST	REVISIONS					
DW	—	P	LTR	DESCRIPTION	DATE	DWN	APVD
				SEE SHEET 1.			



NOTE:
 1. MATERIAL:
 BOX: FIBREBOARD, CORRUGATED, DOUBLE WALL.
 COVER TAPE: PET, HEAT-RESISTANT TEMPERATURE: 100°C, TRANSPARENT COLOR.
 CARRIER TAPE: POLYSTYRENES, HEAT-RESISTANT TEMPERATURE: 120°C, TRANSPARENT COLOR.
 REEL: POLYSTYRENES, HEAT-RESISTANT TEMPERATURE: 70°C, BLUE COLOR.
 BAG: POLYETHYLENE, HEAT-RESISTANT TEMPERATURE: 100°C.

- 2. PEELING STRENGTH: 0.1 ~ 1.3 N (10 ~ 130 GRAMS)
- 3. PEELING SPEED: 300 mm/min.
- 4. EACH BAG SHALL BE INCLUDED DESICCANT.

1000	7	7000 PCS	9.1 KG	3.51 KG
PCS/TAPE	REELS/BOX	QUANTITY	GROSS WEIGHT	NET WEIGHT

THIS DRAWING IS A CONTROLLED DOCUMENT.		DWN A. WU 04SEP2008	Tyco Electronics Corporation Taipei, Taiwan	
DIMENSIONS: MM		CHK S. CHIEN 04SEP2008		
TOLERANCES UNLESS OTHERWISE SPECIFIED:		APVD W. KODAMA 04SEP2008	NAME 1.0 PITCH BOX HEADER, TWO-ROW, 60 POSITION, SMT, 5.9 MATING HEIGHT, RECEPTACLE	
		PRODUCT SPEC	SIZE A3	
MATERIAL		APPLICATION SPEC	CAGE CODE 00779	DRAWING NO G=1775731
FINISH		WEIGHT	RESTRICTED TO	
		CUSTOMER DRAWING	SCALE	SHEET 2 OF 2
				REV B