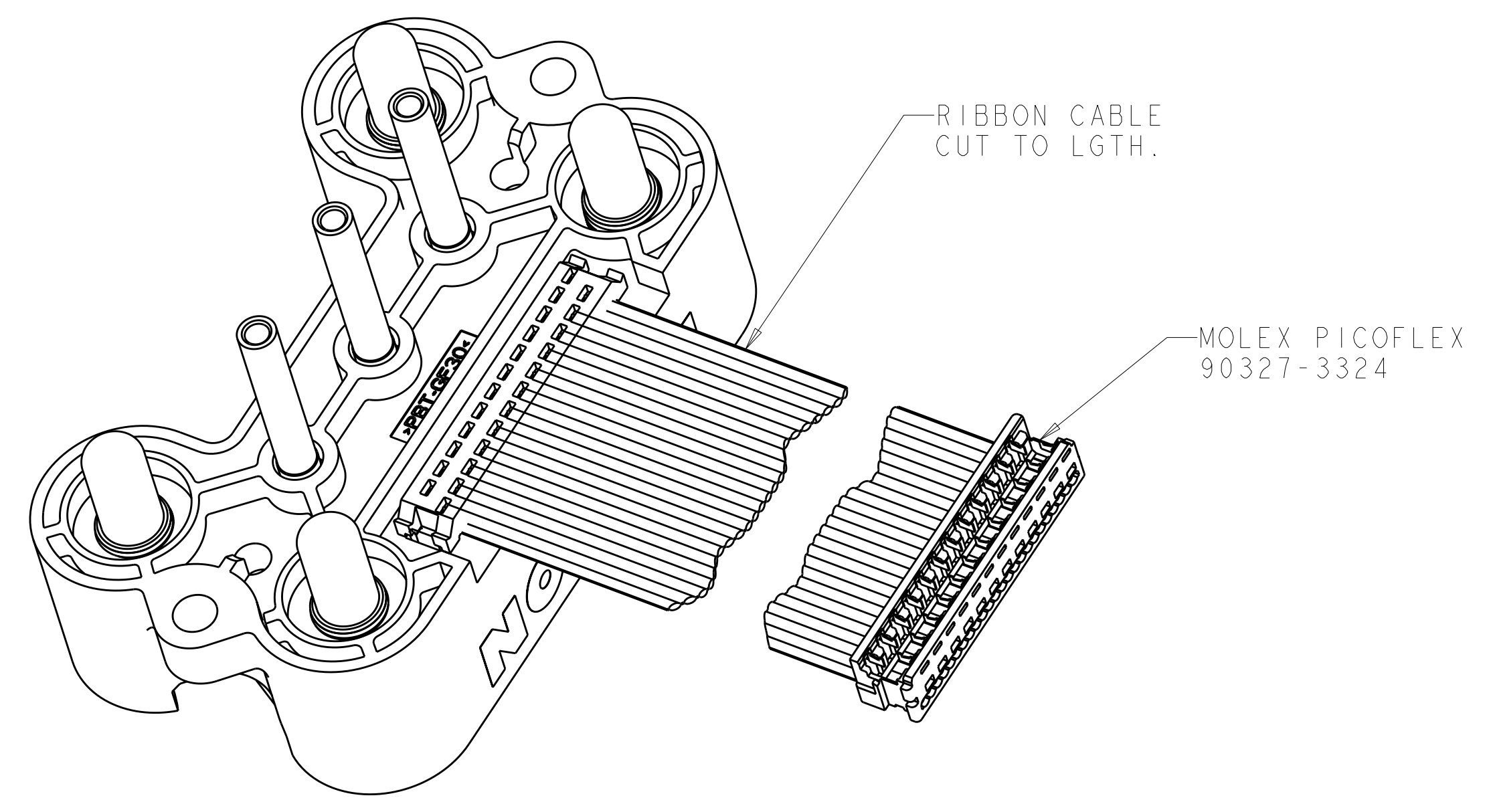
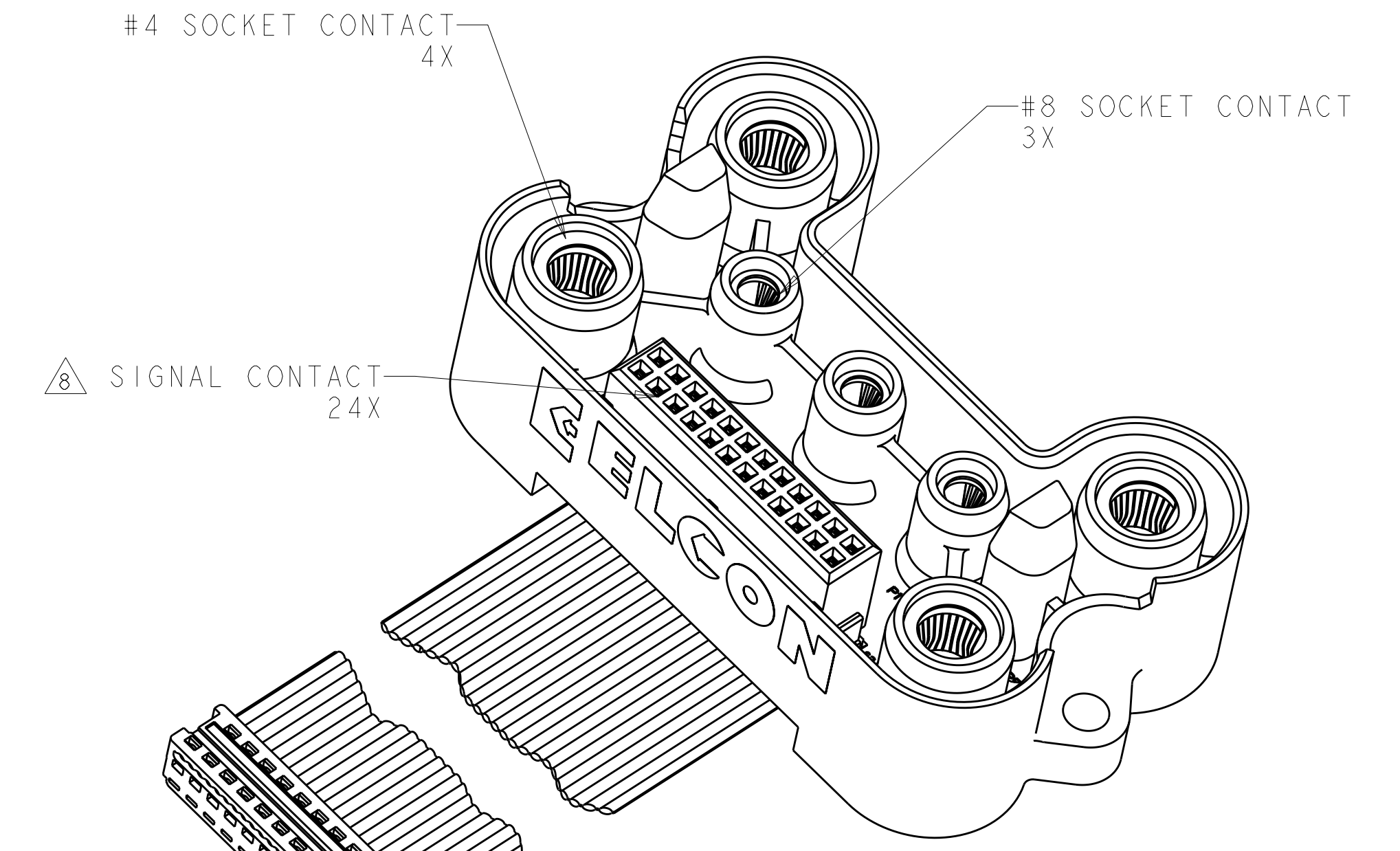


LOC	DIST	REVISIONS					
GP	00	P	LTB	DESCRIPTION	DATE	DWN	APVD
		4		REMOVE P/N 9-1926753-9 AND NOTE 7	30OCT2008	WVS	GRD
		5		CHANGED NOTES	01JUN2010	GIP	GRD
		6		ADDED NOTE 8	27JAN2012	RG	DO



ISOMETRIC VIEW
 MOUNTING FACE
 SCALE 2:1



ISOMETRIC VIEW
 MATING FACE
 SCALE 2:1

1. PART NUMBER CHANGES AND/OR DESIGN CHANGES AFFECTING ITEM INTERCHANGEABILITY REQUIRES PRIOR TYCO ELECTRONICS APPROVAL AND AUTHORIZATION BY REVISION TO THIS DRAWING.

2. MATERIALS:
 HOUSING: THERMOPLASTIC, GLASS RENIFORCED, UL RATED 94V-0, COLOR-BLACK
 CONTACTS: COPPER ALLOY
 CROWN BANDS: BERYLLUM COPPER

3. FINISH:
 POWER CONTACT: SILVER 5.08µm [0.000200] MIN THICK PER QQ-S-365, OVER NICKEL 1.27µm [0.000050] MIN THICK PER AMS-2404
 SIGNAL CONTACT: GOLD 0.76µm [0.000030] MIN THICK PER MIL-G-45204 IN CONTACT AREA, MATTE TIN 3.05µm [0.000120] MIN THICK PER ASTM B545 IN TERMINATION AREA, OVER NICKEL 1.27µm [0.000050] MIN THICK PER QQ-N-290 ALL OVER
 CROWN BAND: GOLD 0.76µm [0.000030] MIN THICK PER MIL-G-45204, OVER NICKEL 1.27µm [0.000050] MIN THICK PER QQ-N-290

4. OUTLINE SPECIFICATION
 -CONNECTOR ASSEMBLY GATHERABILITY: 2.00[.079] NOMINAL
 -SIGNAL CONTACT WIPE: 4.52[.178], 5.54[.218], & 6.53[.257] RESPECTIVELY
 -#8 POWER CONTACT WIPE: 3.96[.156], & 5.18[.204]
 -#8 CONTACT CSA CURRENT RATING: 55A/250V @ 30°C RISE
 -#4 POWER CONTACT WIPE: 3.00[.118], & 4.14[.163]
 -#4 CONTACT CSA CURRENT RATING: 100A/250V @ 30°C RISE
 -MATING FORCE: 46.43 lbf MAXIMUM
 -EXTRACTION FORCE: 30.5 lbf MAXIMUM
 -POLARIZED HOUSING

5. ITEMS PROVIDED TO THIS DRAWING TO BE PERMANENTLY IDENTIFIED WITH PART NUMBER, DATE CODE, AND COUNTRY OF ORIGIN.

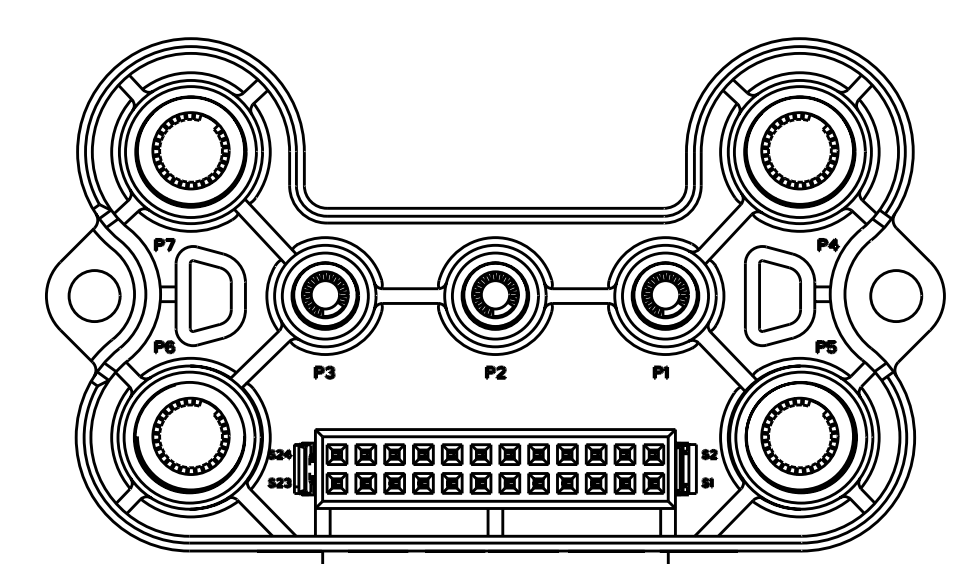
6. SEE CUSTOMER DRAWING 1926125 OR 1926797 FOR MATING PIN CONNECTOR.

7. DIMENSIONS TO BE MEASURED AT SURFACE A.
 8. SIGNAL CONTACTS FLOAT IN CONTACT CAVITIES AND ARE PERMITTED TO BE ASYMMETRIC IN THE HOUSING OPENINGS

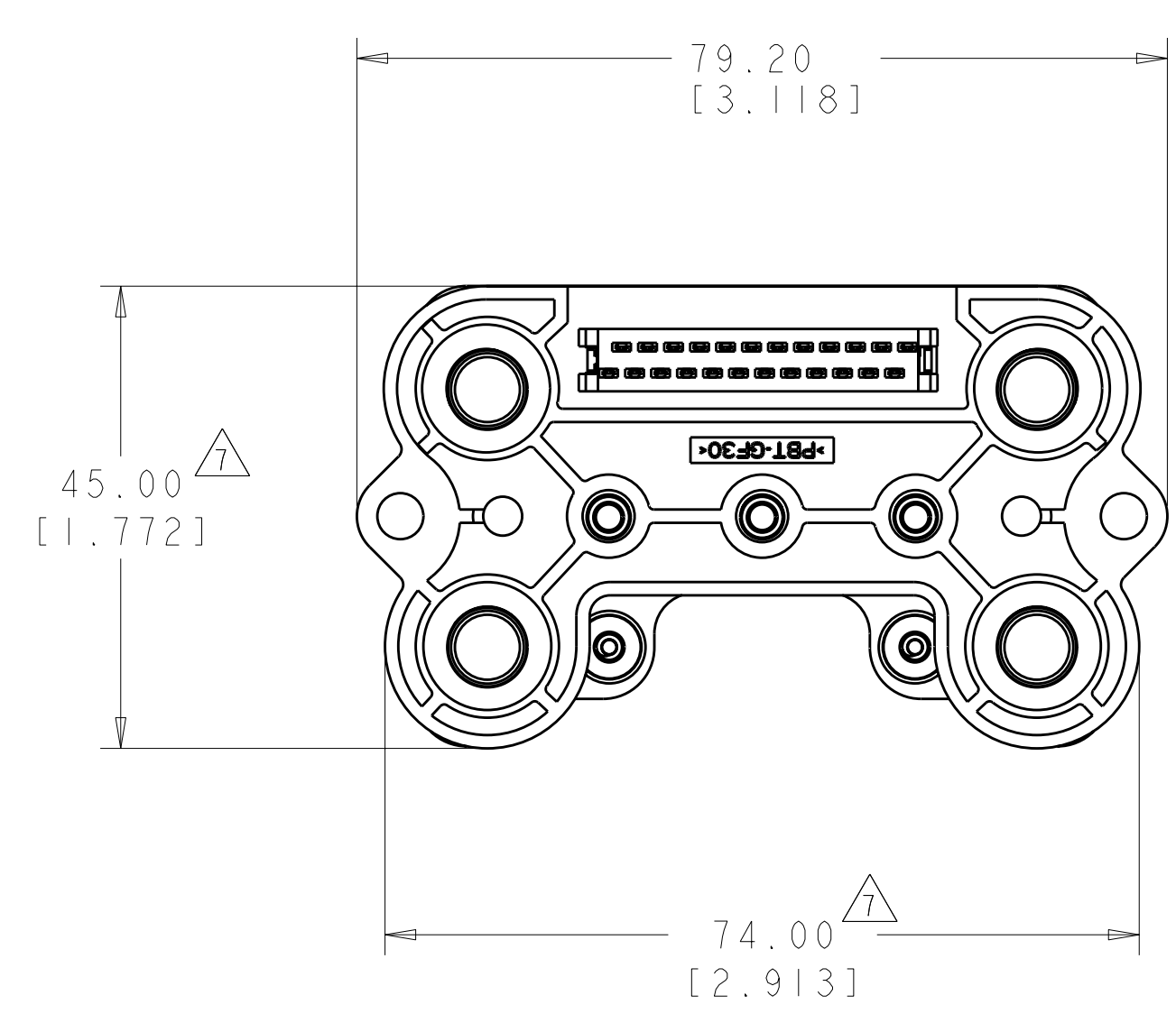
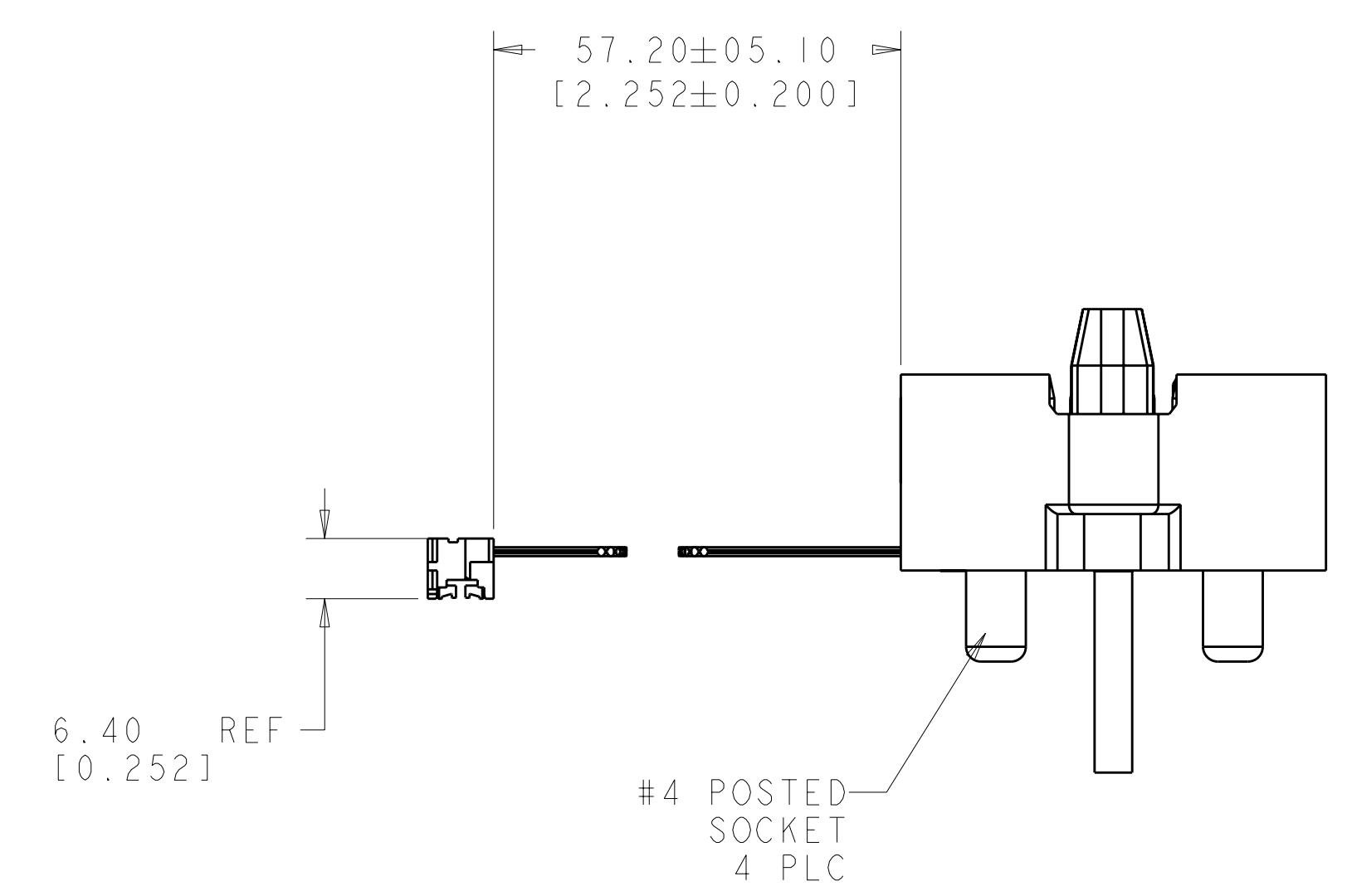
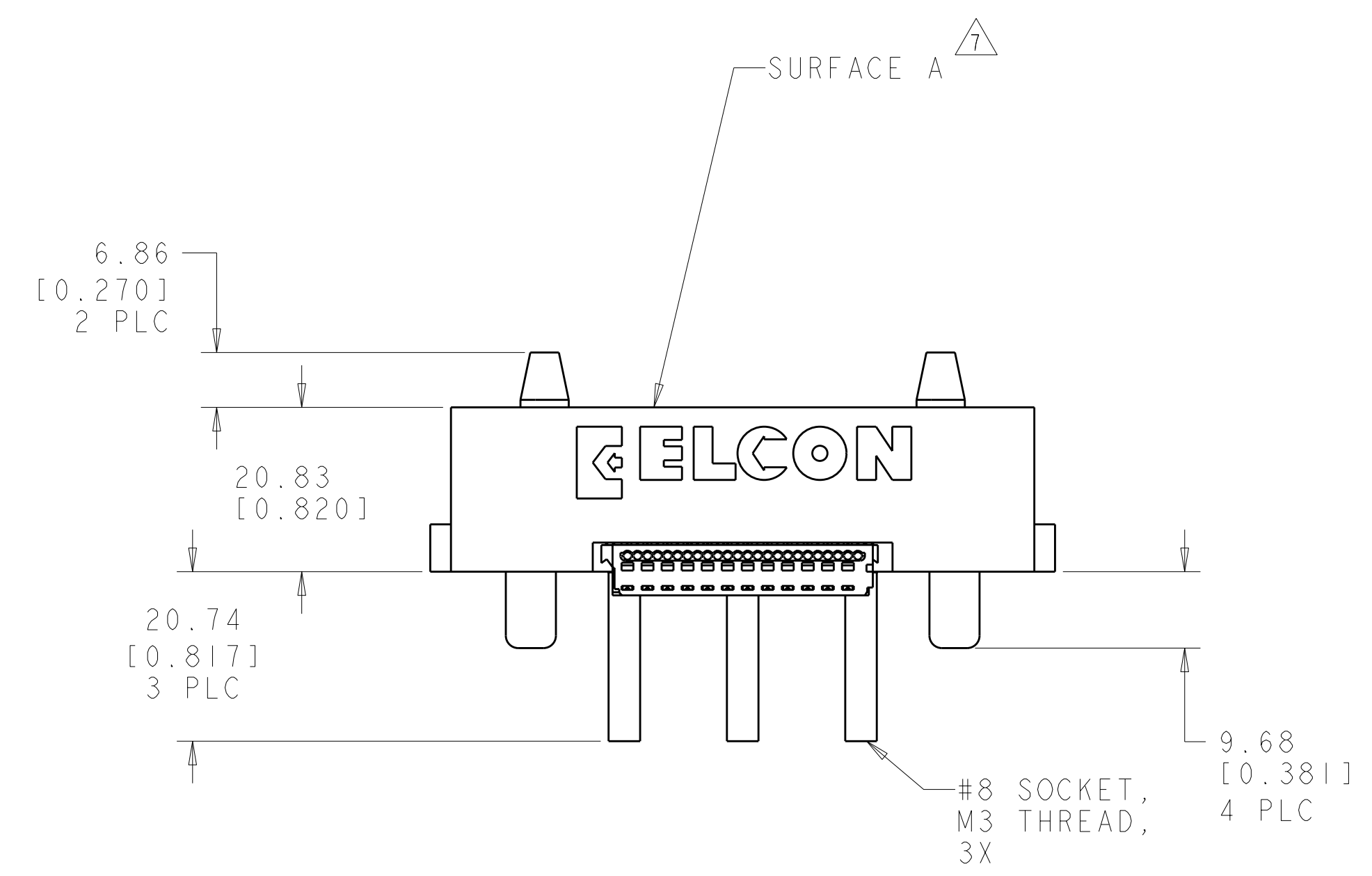
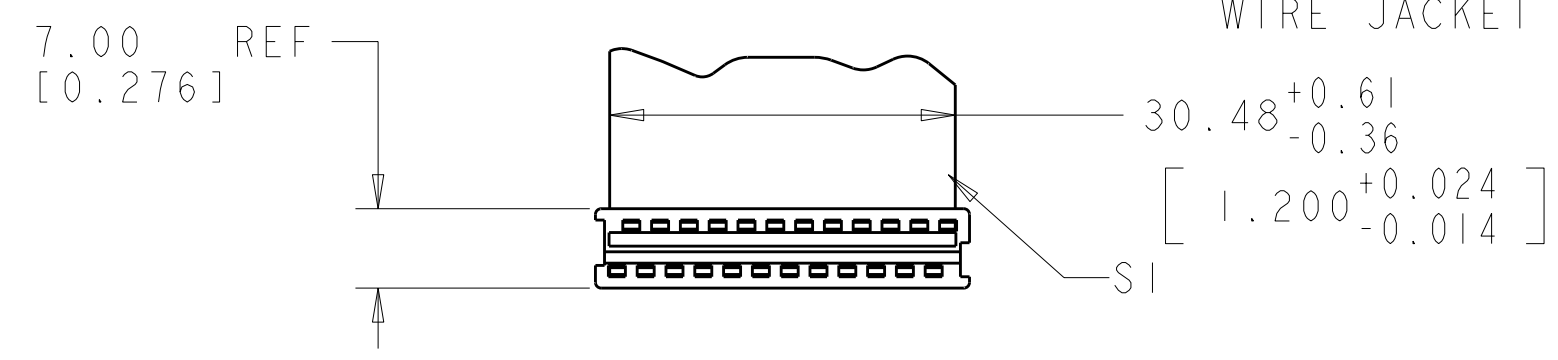
AS SHOWN	1926753-1
DESCRIPTION	PART NUMBER

<small>THIS DRAWING IS UNPUBLISHED. RELEASED FOR PUBLICATION BY TYCO ELECTRONICS CORPORATION. ALL RIGHTS RESERVED.</small>		DWN: WM-VAN-SG-00000000 CYS: G R DEPT/RAUGH APVD: G R DEPT/RAUGH G R DEPT/RAUGH	26NOV2007 26NOV2007 26NOV2007	Tyco Electronics Harrisburg, PA 17105-3608
DIMENSIONS: mm [INCHES]	TOLERANCES UNLESS OTHERWISE SPECIFIED: 9 PLC ± 1 PLC ±0.25 5 PLC ± 4 PLC ± ANGLES ±9°	PRODUCT SPEC APPLICATION SPEC	NAME ASSEMBLY, SOCKET CONNECTOR CUSTOM DRAWER, P7/S24, 18-SLOT, TYPE 2	RESTRICTED TO
MATERIAL FINISH	WEIGHT CUSTOMER DRAWING	SIZE CAGE CODE DRAWING NO A100779C=1926753	SCALE 1:1	SHEET 1 OF 3 REV 6

LOC	DIST	REVISIONS			
P	LTB	DESCRIPTION	DATE	DWN	APVD
GP	00	SEE SHEET 1	-	-	-

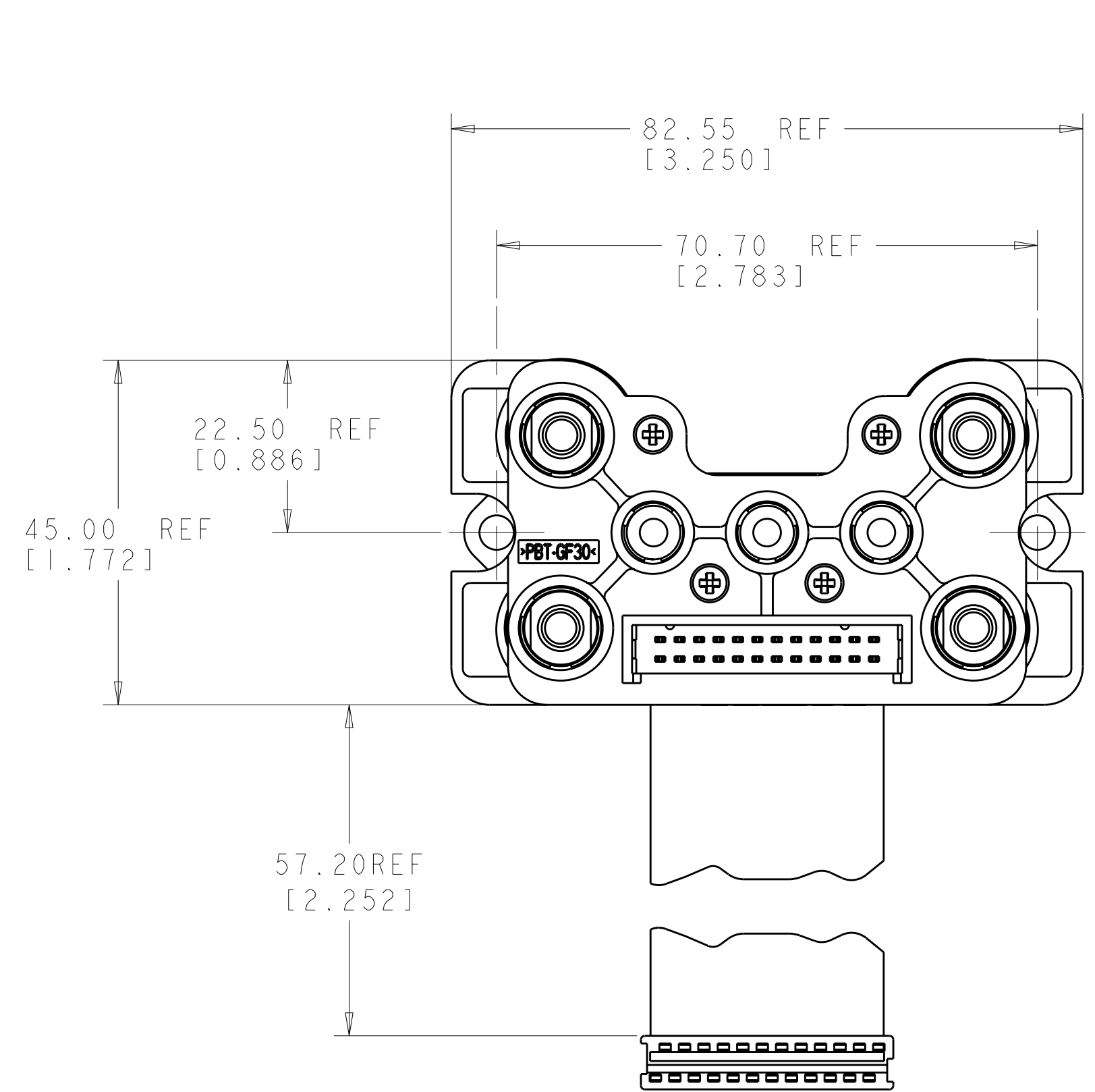


RIBBON CABLE CIRCUIT 1
 IDENTIFIED BY COLOR CODED
 WIRE JACKET

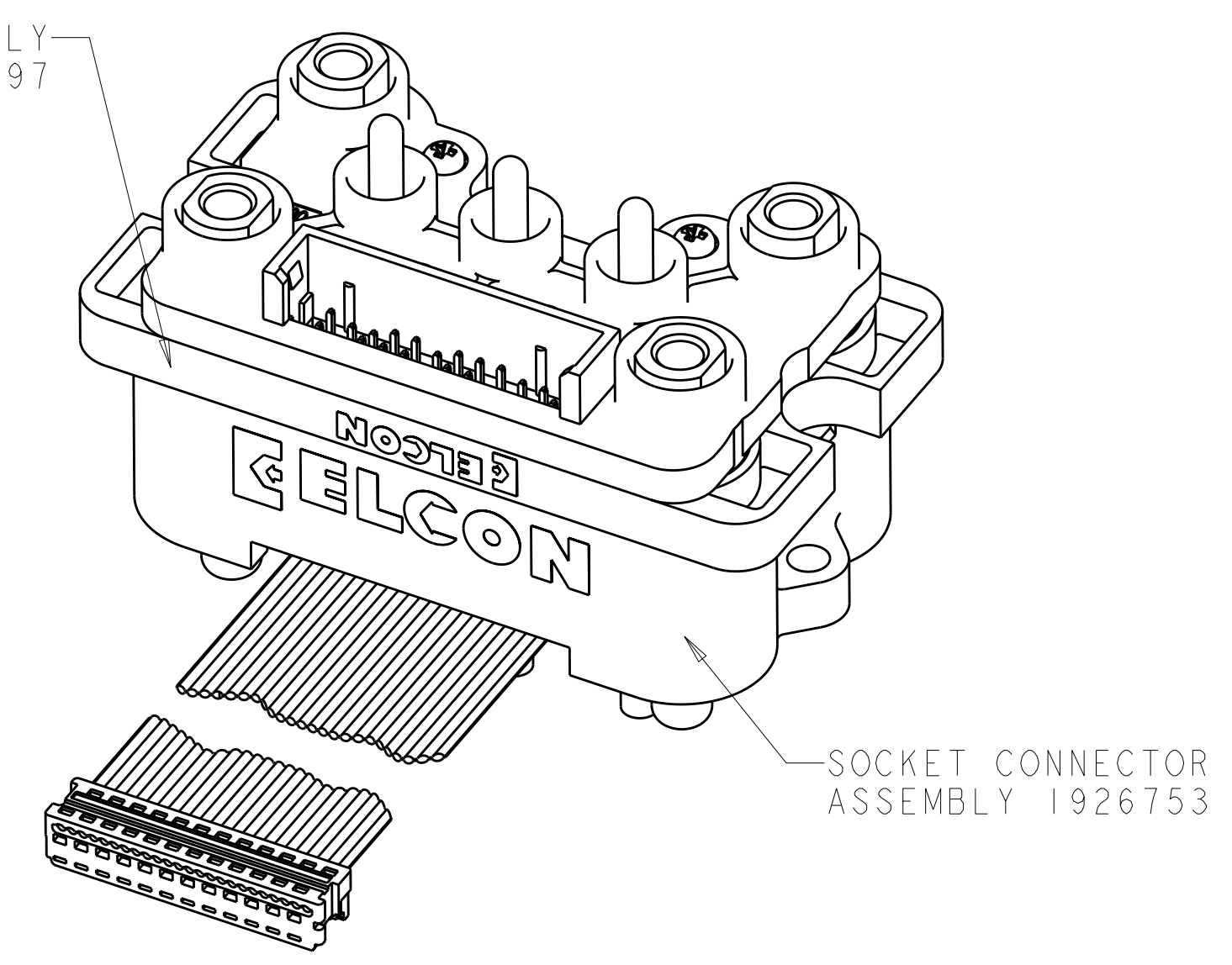


<small>THIS DRAWING IS UNPUBLISHED. RELEASED FOR PUBLICATION 20. THIS DRAWING IS UNPUBLISHED. RELEASED FOR PUBLICATION 20. THIS DRAWING IS UNPUBLISHED. RELEASED FOR PUBLICATION 20.</small>		DWN 26NOV2007 WM VAN SCOIC CHK 26NOV2007 G R DEF I RAUGH APVD 26NOV2007 G R DEF I RAUGH	tyco Electronics Tyco Electronics Harrisburg, PA 17105-3608
DIMENSIONS: mm [INCHES] 	TOLERANCES UNLESS OTHERWISE SPECIFIED: 0 PLC ± 1 PLC ±0.25 2 PLC ± 3 PLC ± 4 PLC ± ANGLES ±°	NAME PRODUCT SPEC APPLICATION SPEC WEIGHT CUSTOMER DRAWING	ASSEMBLY, SOCKET CONNECTOR, CUSTOM DRAWER, P7/S24, 18-SLOT, TYPE 2 SIZE CAGE CODE DRAWING NO RESTRICTED TO A 100779 C=1926753 SCALE 3:2 SHEET 2 OF 3 REV 6

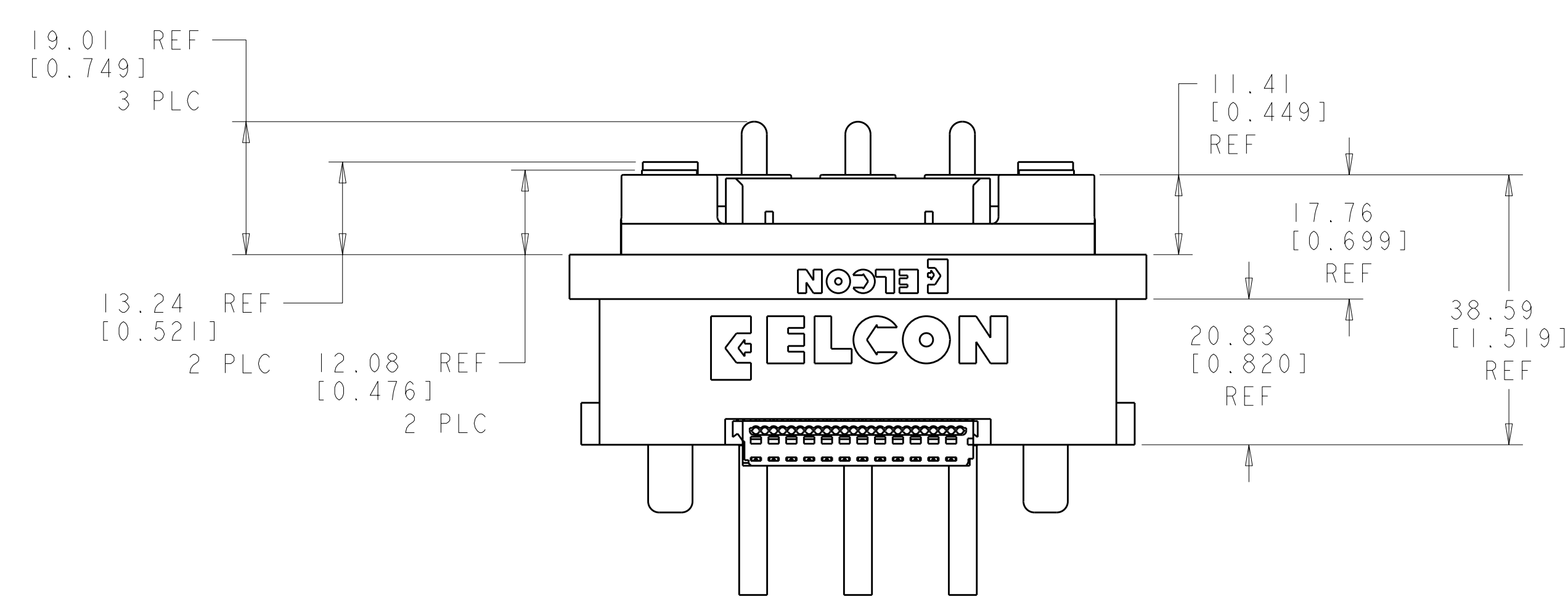
LOC	DIST	REV	DATE	BY	APPD
GP	00				
REV		DESCRIPTION	DATE	BY	APPD
-		SEE SHEET 1	-	-	-



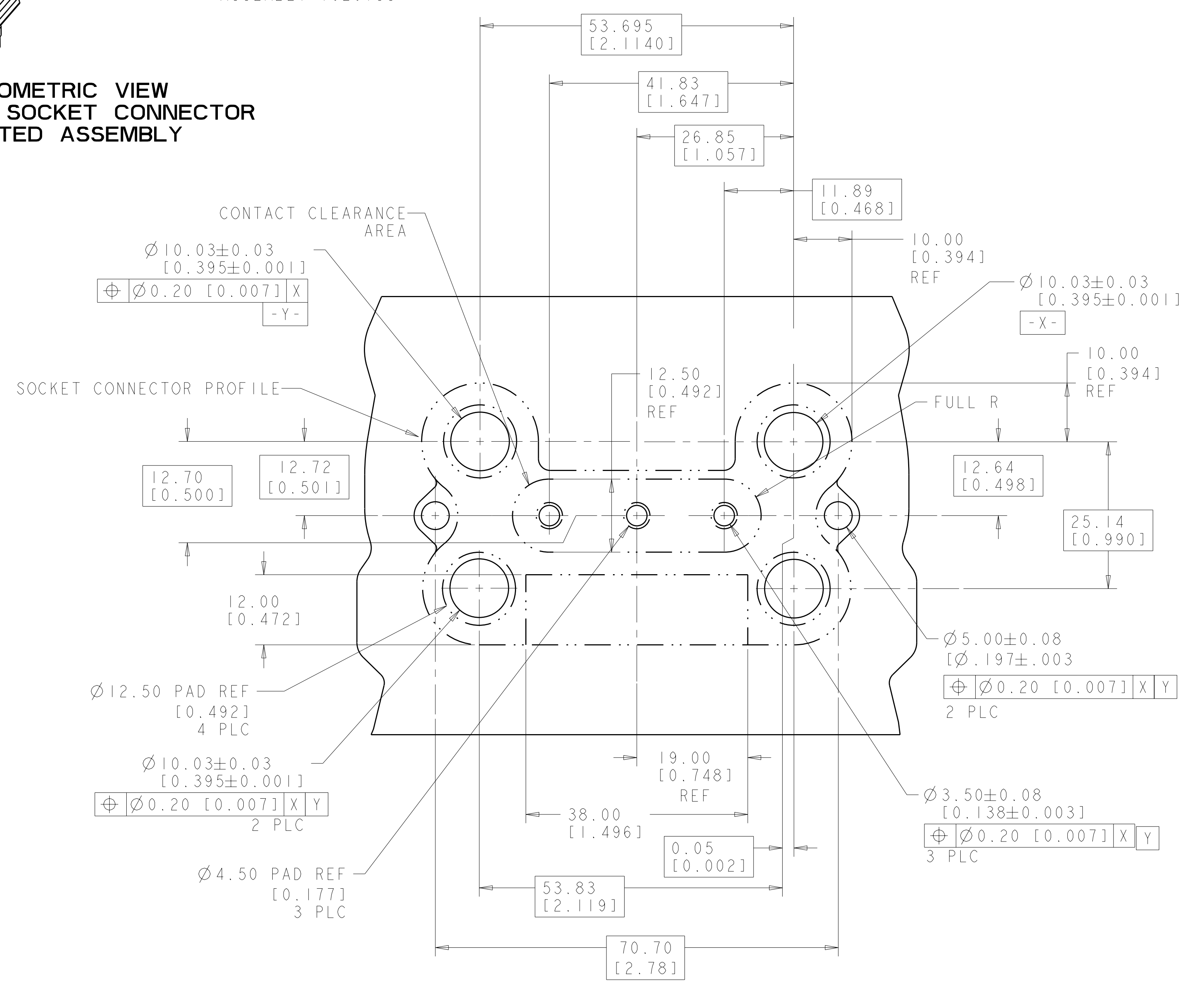
PIN CONNECTOR ASSEMBLY
 1926125 OR 1926797



ISOMETRIC VIEW
 PIN AND SOCKET CONNECTOR
 MATED ASSEMBLY



PIN AND SOCKET CONNECTOR
 MATED ASSEMBLY



RECOMMENDED BUS BAR LAYOUT
 (CONNECTOR SIDE)

DIMENSIONS: mm [INCHES]		TOLERANCES UNLESS OTHERWISE SPECIFIED: 0 PLC ± 1 PLC ±0.25 2 PLC ± 3 PLC ± 4 PLC ± ANGLES ± FINISH		DWN 26NOV2007 CHK 26NOV2007 G R DEF 26NOV2007 APVD 26NOV2007 G R DEF 26NOV2007		tyco Electronics Tyco Electronics Harrisburg, PA 17105-3608	
MATERIAL		FINISH		NAME ASSEMBLY, SOCKET CONNECTOR, CUSTOM DRAWER, P7/S24, 18-SLOT, TYPE 2		SIZE CAGE CODE DRAWING NO RESTRICTED TO A 100779 C=1926753	
CUSTOMER DRAWING		SCALE 3:2		SHEET 3 OF 3		REV 6	