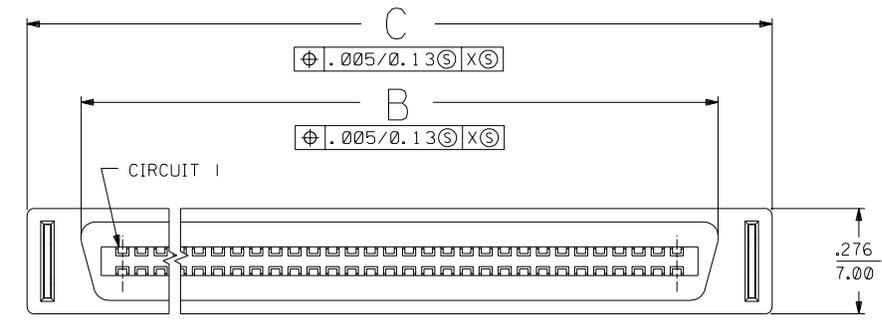


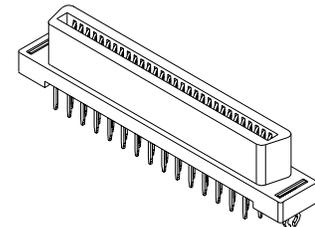
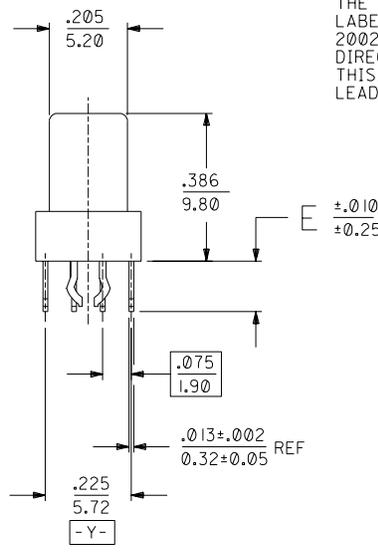
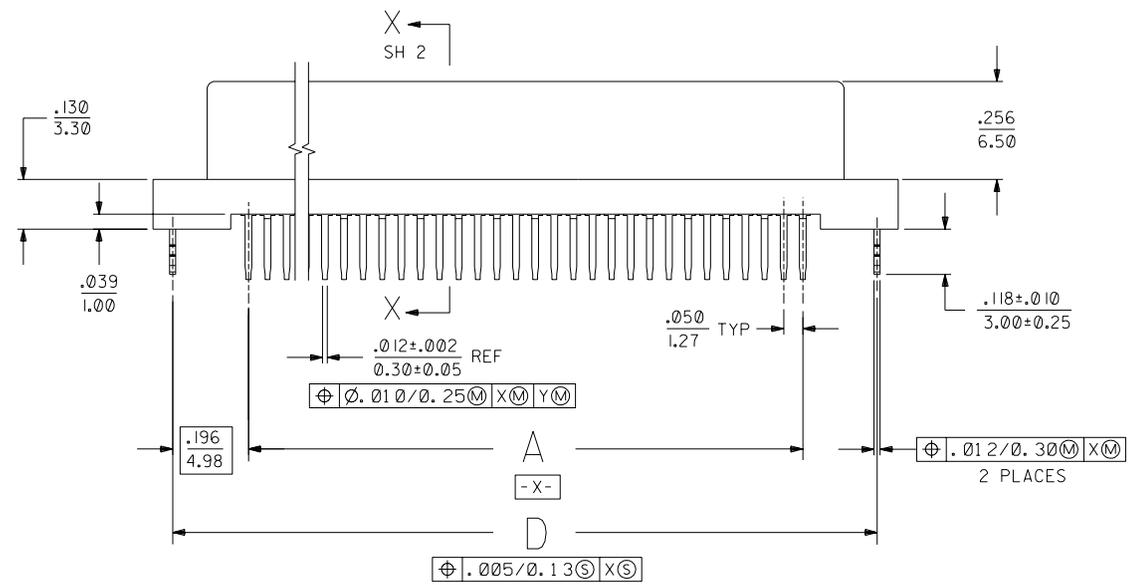
NOTES:

- 1) MATERIALS:
HOUSING- LCP, GLASS FILLED, 94V-0, BLACK.
TERMINALS- COPPER ALLOY
METAL PEGS- COPPER ALLOY
- 2) PLATING:
.000030 INCHES MINIMUM GOLD IN SELECTIVE CONTACT AREA
OVER .000050-.000100 INCHES NICKEL IN CONTACT AREA.
.000100-.000200 INCHES TIN IN SOLDER TAIL AREA.
- 3) ASSEMBLY MATES WITH MOLEX P/N SDA-71661-****.
CONFORMS TO PRODUCT SPECIFICATION PS-71660.
- 4) RECOMMENDED P.C. BOARD THICKNESS IS .062 (1.6).
- 5) CONNECTOR WILL ACCEPT MATING TO A P.C. BOARD WITH
A THICKNESS OF .062±.003.



NOTE FOR LEAD FREE CONVERSION:

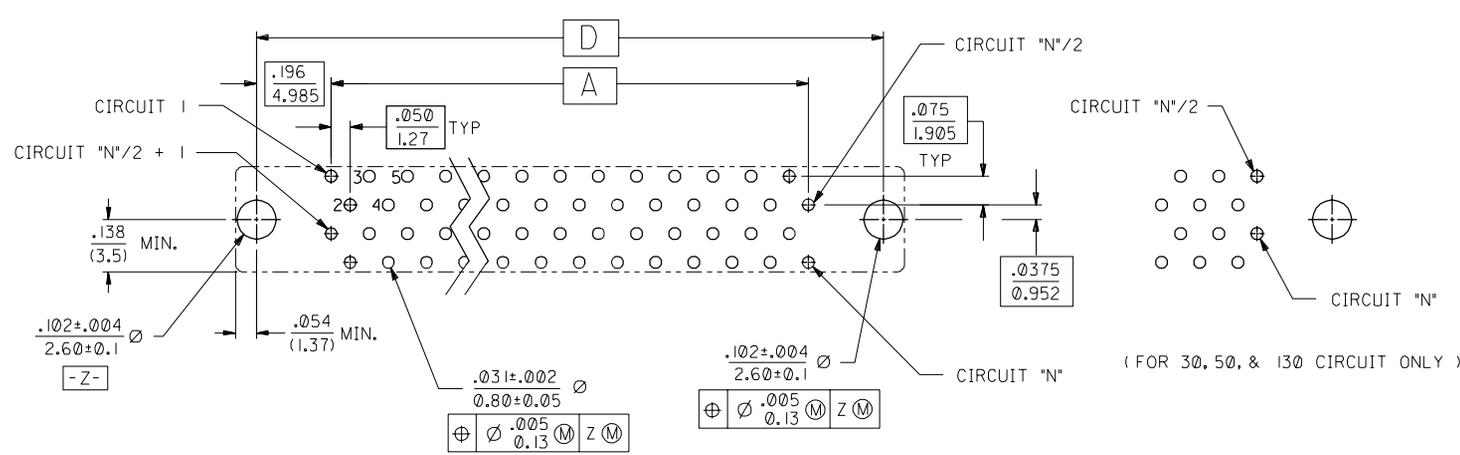
THE PRIMARY SHIPPING CARTON WILL BE
LABELED 'COMPLIANT TO RoHS DIRECTIVE
2002/95/EC AND ELV ANNEX II OF
DIRECTIVE 2000/53/EC'. CARTONS WITHOUT
THIS LABEL MAY CONTAIN PRODUCT WITH
LEAD.



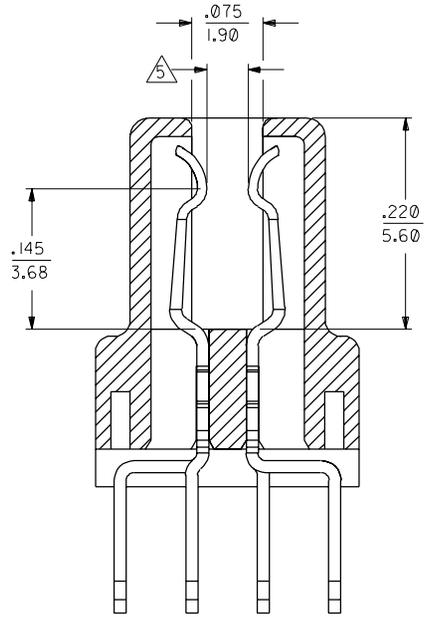
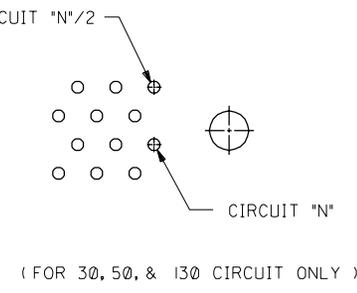
60 CIRCUIT ASSEMBLY SHOWN
SCALE 2:1

F	LEAD FREE CONV ECN UCP2004-2096 RKADAMS 04/04/23
E	REVISED ECN UDT 2000-1231 ACHAMMER 00/06/07
D	REVISED PER ECN U40641 11-29-95 DRS
C	REVISED PER ECN U40506 4-15-94 RAN
B	REVISED PER ECN U31755 12-3-93 RAN
A	INITIAL RELEASE PER ECN U30874 5-18-93 RAN

DIMENSIONS SHOWN (METRIC) INCH UNLESS OTHERWISE SPECIFIED TOLERANCES: ANGULAR ± 1/2°		▽ = 0		= 0		REVISE ONLY ON CAD SYSTEM	
3 PLACE	± .005	---	---				
2 PLACE	± .01	± 0.13	---				
1 PLACE	---	± 0.25	---				
DRAFT WHERE APPLICABLE MUST REMAIN WITHIN DIMENSIONS		MOLEX INCORPORATED		SHEET NO. DATE		U.S.A. 1 OF 2 4/23/93	
DRWG. NO. SDA-71660-9***		SEE TABLE		MFG, SH, REV, LTR.		REVISE ONLY ON CAD SYSTEM	
DRWG. BY: RAN	CHK'D. BY: RAN	FILE NAME: S71660X9	APP'D. BY: CAB	SCALE: 4: 1	THIS DRAWING CONTAINS INFORMATION THAT IS PROPRIETARY TO MOLEX INC. AND SHOULD NOT BE USED WITHOUT WRITTEN PERMISSION.	DIV. C	SIZE C



RECOMMENDED PC BOARD LAYOUT Δ
 COMPONENT SIDE
 (FOR 40,60,68,80,100, & 120 CIRCUIT ONLY)



SECTION X-X
 SCALE- 10:1

	E	D	C	B	A	CKT ("N")	ITEM NUMBER
D	.110 (2.79)	3.592 (91.25)	3.699 (93.95)	3.418 (86.82)	3.200 (81.28)	130	71660-9430
	.110 (2.79)	3.342 (84.90)	3.449 (87.60)	3.168 (80.47)	2.950 (74.93)	120	71660-9420
	.110 (2.79)	2.842 (72.20)	2.949 (74.90)	2.668 (67.77)	2.450 (62.23)	100	71660-9400
	.110 (2.79)	2.342 (59.50)	2.449 (62.20)	2.168 (55.07)	1.950 (49.53)	80	71660-9380
	.110 (2.79)	2.042 (51.88)	2.149 (54.58)	1.868 (47.45)	1.650 (41.91)	68	71660-9368
C	.110 (2.79)	1.842 (46.80)	1.949 (49.50)	1.668 (42.37)	1.450 (36.83)	60	71660-9360
	.110 (2.79)	1.592 (40.45)	1.699 (43.15)	1.418 (36.02)	1.200 (30.48)	50	71660-9350
	.110 (2.79)	1.342 (34.10)	1.449 (36.80)	1.168 (29.67)	.950 (24.13)	40	71660-9340
	.110 (2.79)	1.092 (27.75)	1.199 (30.45)	.918 (23.32)	.700 (17.78)	30	71660-9330
	.134 (3.40)	3.592 (91.25)	3.699 (93.95)	3.418 (86.82)	3.200 (81.28)	130	71660-9130
	.134 (3.40)	3.342 (84.90)	3.449 (87.60)	3.168 (80.47)	2.950 (74.93)	120	71660-9120
	.134 (3.40)	2.842 (72.20)	2.949 (74.90)	2.668 (67.77)	2.450 (62.23)	100	71660-9100
	.134 (3.40)	2.342 (59.50)	2.449 (62.20)	2.168 (55.07)	1.950 (49.53)	80	71660-9080
	.134 (3.40)	2.042 (51.88)	2.149 (54.58)	1.868 (47.45)	1.650 (41.91)	68	71660-9068
	.134 (3.40)	1.842 (46.80)	1.949 (49.50)	1.668 (42.37)	1.450 (36.83)	60	71660-9060
	.134 (3.40)	1.592 (40.45)	1.699 (43.15)	1.418 (36.02)	1.200 (30.48)	50	71660-9050
	.134 (3.40)	1.342 (34.10)	1.449 (36.80)	1.168 (29.67)	.950 (24.13)	40	71660-9040
	.134 (3.40)	1.092 (27.75)	1.199 (30.45)	.918 (23.32)	.700 (17.78)	30	71660-9030

MFG. SH.	REV.	LTR.	REVISIONS
			D SEE SHEET 1
			C SEE SHEET 1

UNLESS OTHERWISE SPECIFIED TOLERANCES: ANGULAR $\pm 1/2^\circ$

3 PLACE $\pm .005$	INCH	METRIC
2 PLACE $\pm .01$	± 0.13	
1 PLACE ---	± 0.25	

DRAFT WHERE APPLICABLE MUST REMAIN WITHIN DIMENSIONS

THIS DRAWING CONTAINS INFORMATION THAT IS PROPRIETARY TO MOLEX INC. AND SHOULD NOT BE USED WITHOUT WRITTEN PERMISSION.

SALES ASSEMBLY EBBI 50D VERTICAL RCPT W/O CENTER BOARD LOCK & POLAR. PEG

MOLEX INCORPORATED U.S.A. SHEET NO. 2 DATE 4/23/93

SEE TABLE SDA-71660-9