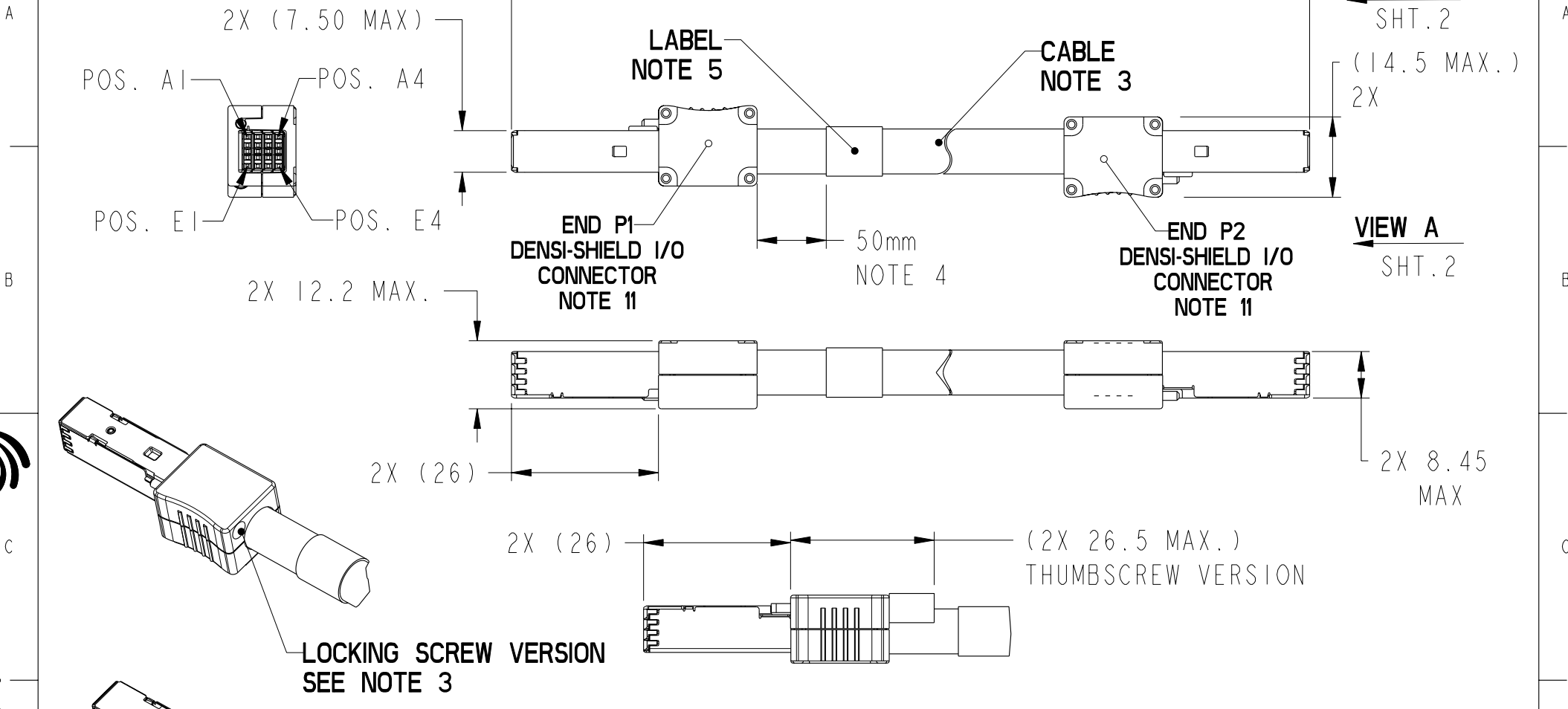


PRODUCT NUMBER
SEE NOTE 3
10093381-XXXXXXULF



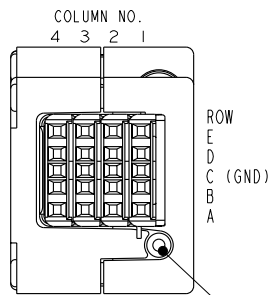
Copyright FCI.

| rev | ecn no | dr | date |
|-----|----------|-----|------------|
| A | M08-0296 | AGS | 14/10/08 |
| B | V09-0053 | DA1 | 2009-03-24 |

| | | | | | |
|--------------------|-----------|---------------------------------------|-------------------------|------------|--------------|
| www.fciconnect.com | | surface - ✓ | tolerance std | projection | MM |
| | | TOLERANCES UNLESS OTHERWISE SPECIFIED | | | |
| Dr | D. INGRAM | 2009-03-24 | ANGULAR | size | A4 |
| Eng | J. DUARTE | 2009-03-24 | LINEAR | 0.xx | ±0.10 |
| Chr | J. DUARTE | 2009-03-24 | 0° ±2° | ECN | V09-0053 |
| Appr | J. DUARTE | 2009-03-24 | Product family | C&A | Spec ref - |
| FCI | | | CABLE ASSEMBLY | | dwg no |
| | | | DENSI-SHIELD I/O 8 PAIR | | 10093381 |
| | | | catalog no | CUSTOMER | sheet 1 of 4 |

REV F - 2006-04-17

PRODUCT NUMBER
SEE NOTE 3
10093381-XXXXXXULF



LOCKING SCREW
NOTE 14

VIEW A
SCALE 2:1
VIEWED FROM
MATING SIDE

PIN OUT/WIRING LIST
SEE NOTE 6

| END P1 | | END P2 | |
|------------|---------|------------|---------|
| PIN NUMBER | WIRE ID | PIN NUMBER | WIRE ID |
| C1-C4 | GROUND | C1-C4 | GROUND |
| A1 | TN1 | A1 | TN1 |
| B1 | TP1 | B1 | TP1 |
| D1 | RP2 | D1 | RP2 |
| E1 | RN2 | E1 | RN2 |
| A2 | TN6 | A2 | TN6 |
| B2 | TP6 | B2 | TP6 |
| D2 | RP7 | D2 | RP7 |
| E2 | RN7 | E2 | RN7 |
| A3 | TN8 | A3 | TN8 |
| B3 | TP8 | B3 | TP8 |
| D3 | RP3 | D3 | RP3 |
| E3 | RN3 | E3 | RN3 |
| A4 | TN5 | A4 | TN5 |
| B4 | TP5 | B4 | TP5 |
| D4 | RP4 | D4 | RP4 |
| E4 | RN4 | E4 | RN4 |

DW_x = DRAIN WIRE x
 RP_x = RECIEVER PAIR x, POSITIVE POLE
 RN_x = RECIEVER PAIR x, NEGATIVE POLE
 TP_x = TRANSMITTER PAIR x, POSITIVE POLE
 TN_x = TRANSMITTER PAIR x, NEGATIVE POLE

| | | | |
|--|---|--------------------|--------------|
| | CABLE ASSEMBLY DENS1-SHIELD I/O 8 PAIR | dwg no 10093381 | Rev. B |
| | catalog no | CUSTOMER | sheet 2 of 4 |



Copyright FCI.

PRODUCT NUMBER
SEE NOTE 3

10093381-XXXXXXULF

NOTES:

1. MATES WITH FCI PART NUMBERS 10044471 SERIES.

2. UNLESS OTHERWISE SPECIFIED ASSEMBLED LENGTH TOLERANCE =
= 1 METER: $\pm 15.0\text{mm}$
> 1 METER TO 10 METER: $\pm 2\%$ OF "DIM L"
> 10 METER: $+0/-4\%$ OF "DIM L"

3. PART NUMBER DESCRIPTION:
10093381 - X XX XX X U LF

WIRE GAGE
N: 26 AWG
R: 30 AWG

LF: LEAD FREE (NOTE 10)

U: UN-EQUALIZED

HARDWARE TYPE

A: HIGH SPEED VERSION + THUMBSCREWS
B: HIGH SPEED VERSION + TORX SCREW T-5
D: STANDARD VERSION + THUMBSCREWS
E: STANDARD VERSION + TORX SCREW T-5

LENGTH "DIM L" NOTE 9
XXXX: XX METERS, XX CENTIMETERS

EXAMPLES OF LENGTH GIVEN BELOW:
0046 = 00 METERS 46 CENTIMETERS
0500 = 05 METERS 00 CENTIMETERS

EXAMPLE: 10093381-N0046BULF = 26 AWG, 00 METER, 46 CENTIMETERS, HIGH SPEED TORX SCREW T-5, UN-EQUALIZED AND LEAD FREE

4. UNLESS OTHERWISE SPECIFIED LABEL POSITION SHALL BE APPROXIMATELY $50\text{mm} \pm 15\text{mm}$ FROM REAR OF CONNECTOR.

5. UNLESS OTHERWISE SPECIFIED STANDARD LABEL SHALL BE 10081646-002.

LABEL DETAILS;

- MANUFACTURER CODE OR NAME
- CUSTOMER P/N OR FCI P/N
- REVISION
- DATE CODE (WW/YY FORMAT) - SERIAL NUMBER
- COUNTRY ORIGIN

FONT SHALL BE CLEARLY VISABLE AND BLACK IN COLOR.



Copyright FCI.



| | | | | |
|--|------------|----------|----------|--------------|
| title CABLE ASSEMBLY DENS1-SHIELD I/O 8 PAIR | dwg no | 10093381 | Rev. | B |
| | catalog no | - | CUSTOMER | sheet 3 of 4 |

PRODUCT NUMBER
SEE NOTE 3

10093381-XXXXXXULF

NOTES CONTINUED:

6. ALL CABLE ASSEMBLIES SHALL BE TESTED 100% FOR CONTINUITY AS DEFINED IN WIRING LIST.
7. UNLESS OTHERWISE SPECIFIED ALL CABLE ASSEMBLIES SHALL BE 100% HI-POT TESTED PER PRODUCT SPECIFICATION: GS-12-314.
8. OTHER TESTING PERFORMED AS REQUIRED BY PRODUCT SPECIFICATION: GS-12-314.
9. THIS DIMENSION IS A FINISHED PRODUCT LENGTH.
10. LEAD FREE PRODUCTS MEET EUROPEAN UNION DIRECTIVES AND OTHER COUNTRY REGULATIONS AS DESCRIBED IN GS-22-008.
11. CONNECTOR ASSEMBLIES SHOWN ARE FOR REFERENCE ONLY AND MAY NOT SHOW ALL PART DETAIL. REFERENCE CONNECTOR ASSEMBLY DRAWINGS FOR COMPLETE DETAILS.
12. PACKAGING PER GLOBAL STANDARD GS-14-1272.
13. MATERIALS:
 - COVERS: ZINC ALLOY, Cu-Ni-Sn PLATED.
 - SHEET METAL COVER: COPPER ALLOY
 - FERRULES: COPPER ALLOY, Ni-Sn PLATED
 - TERMINAL BLOCK:
 - HOUSING: THERMOPLASTIC
 - TERMINALS: COPPER ALLOY, FINISH: MIN 0.8um Au ON Ni-UNDERLAYER IN CONTACT AREA.
 - TRANSITION BOARD: FR4 FIBERGLASS FILLED EPOXY.
 - LOCKING SCREW: STAINLESS STEEL
 - SCREW STOP: TEFLON
14. MAXIMUM APPLICABLE TORQUE ON LOCKING SCREW = 0.3um



Copyright FCI.

| | | | | | | |
|--|------------|----------------|----------|--------------|------|---|
| | title | CABLE ASSEMBLY | dwg no | 10093381 | Rev. | B |
| | catalog no | - | CUSTOMER | sheet 4 of 4 | | |