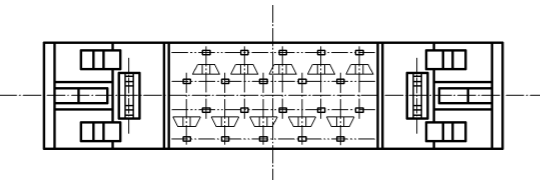
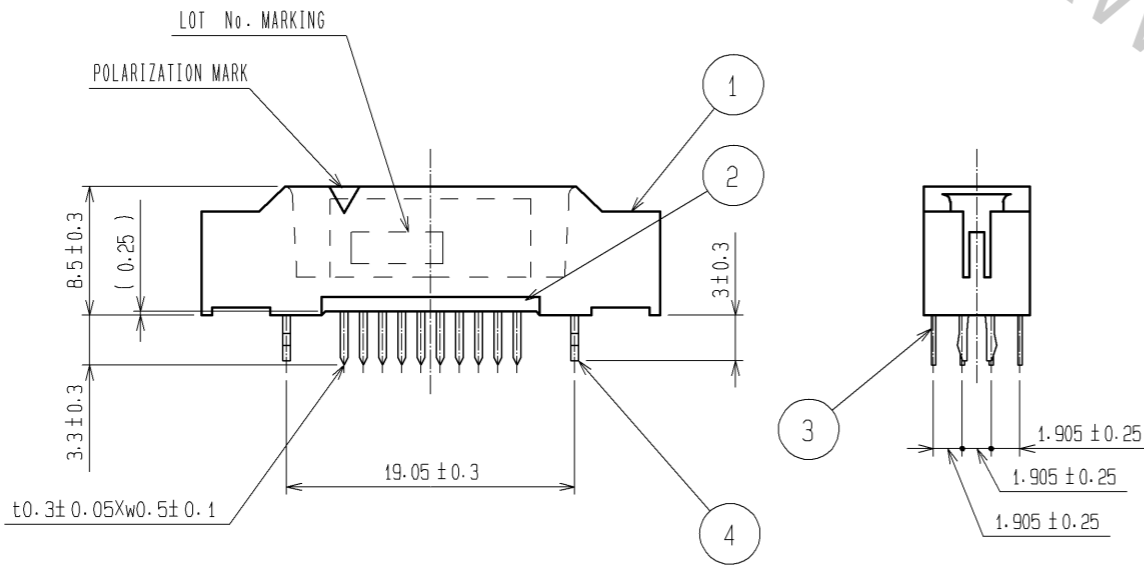
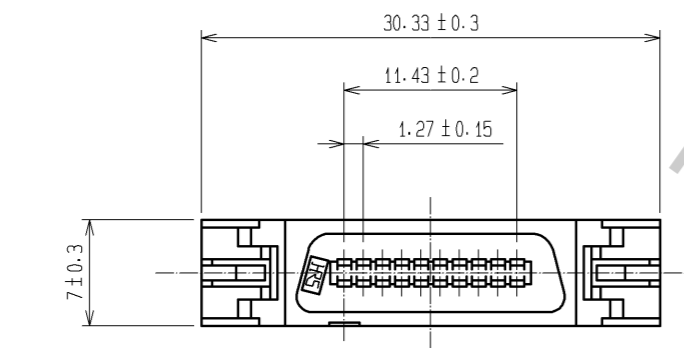
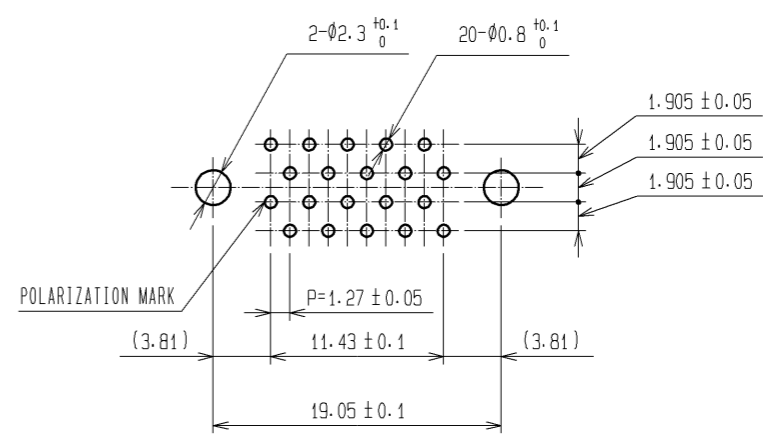


Apr.1.2017 Copyright 2017 HIROSE ELECTRIC CO., LTD. All Rights Reserved.



RECOMMENDED PC BOARD HOLE PATTERN(MOUNTING SIDE)



NOTE 1 THE DIMENSIONS IN PARENTHESES ARE FOR REFERENCE.

4	PHOSPHOR BRONZE	TIN-PLATING		3	PHOSPHOR BRONZE	CONTACT AREA:GOLD 0.2 μm min.		
1,2	POLYAMIDE	BLACK UL94V-0				DIP AREA:TIN-PLATING 2μm min.		
						UNDER PLATING:NICKEL 2μm min.		
NO.	MATERIAL	FINISH .	REMARKS	NO.	MATERIAL	FINISH .	REMARKS	
UNITS	mm	SCALE	2 : 1	COUNT	DESCRIPTION OF REVISIONS	DESIGNED	CHECKED	DATE
HIROSE ELECTRIC CO., LTD.		APPROVED :	HS. OKAWA	08.07.16	DRAWING NO.	EDC3-083532-21		
		CHECED :	HT. YAMAGUCHI	08.07.16	PART NO.	FX2B-20P-1. 27DSAL(71)		
		DESIGNED :	KN. SHIBUYA	08.07.15	CODE NO.	CL572-0851-2-71		
		DRAWN :	AH. EDASHIGE	08.06.17				