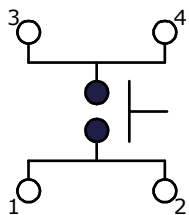


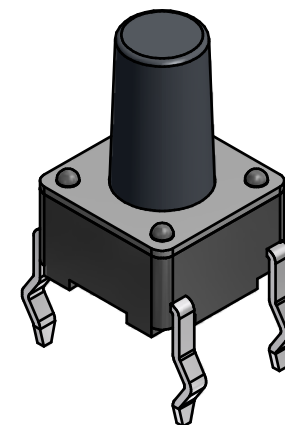
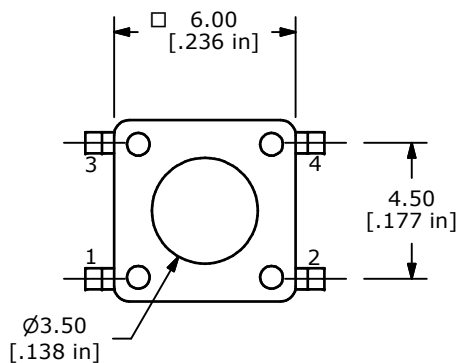
P.C.B. MOUNTING



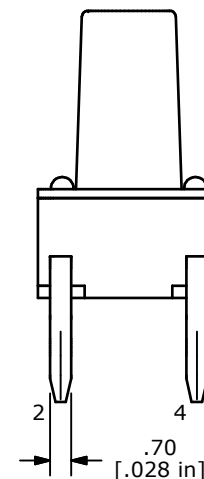
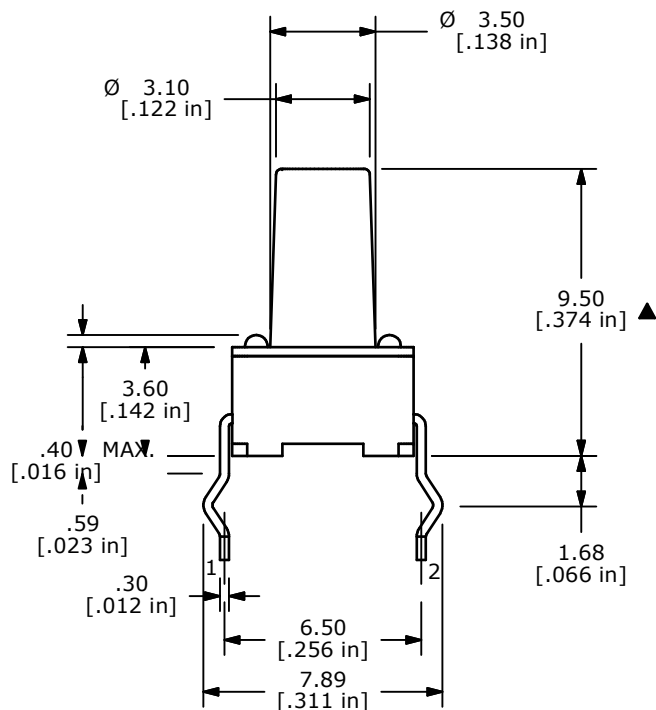
CIRCUIT: SPST

NOTES:

1. ALL DIMENSIONS IN MM [INCH]
2. TERMINAL NUMBERS FOR REF. ONLY
3. TOLERANCE: X.X=± 0.4  
X.XX=± 0.25
- ▲4. CONTACT MATERIAL: SILVER
5. RATING: 12VDC @ 50mA
6. TRAVEL: 0.25 +0.2/-0.1mm
- ▲7. OPERATING FORCE: 65 ± 20gf
8. ELECTRICAL LIFE: 5 MILLION CYCLES
9. CONTACT RESISTANCE: 50mΩ MAX.
10. ▲ DENOTES CRITICAL PARAMETER
11. 2002/95/EC (ROHS) COMPLIANT
- ▲12. PACKAGING: 750 PIECES/PER POLY BAG



ISOMETRIC



|     |        |                         |         |     |
|-----|--------|-------------------------|---------|-----|
| C   | 20957  | CORRECT OPERATING FORCE | 1/8/13  | EBP |
| B   | 17226  | FIXED TAPER             | 4/26/07 | TN  |
| A   | 17182  | RELEASED FOR PRODUCTION | 4/12/07 | TN  |
| REV | PCR NO | DESCRIPTION             | DATE    | BY  |

THE INFORMATION CONTAINED IN THIS DOCUMENT IS PROPRIETARY TO E-SWITCH AND IS NOT TO BE COPIED OR TRANSFERRED



TITLE LL1105BF065Q

|       |           |    |         |     |
|-------|-----------|----|---------|-----|
| SCALE | DATE      | DR | DWG     | REV |
| 4:1   | 4/26/2007 | TN | P010239 | C   |