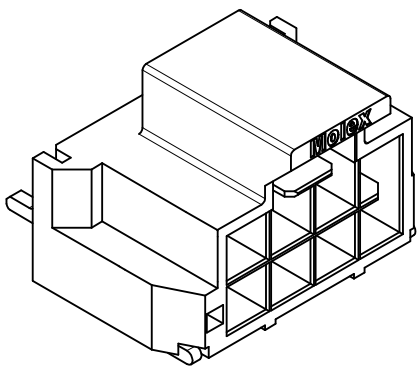
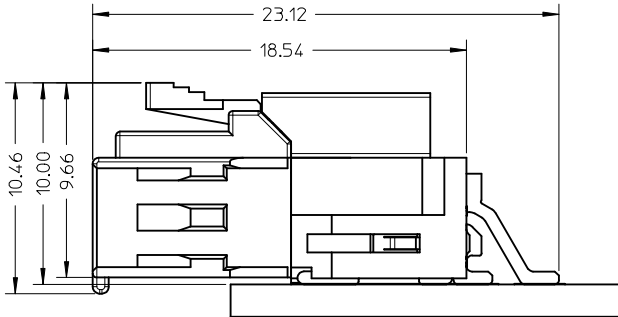
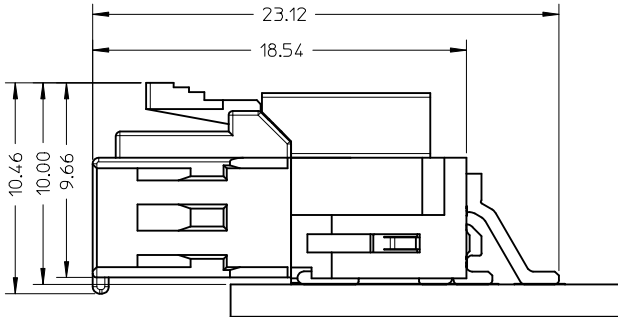


RECOMMENDED PCB LAYOUT(CONNECTOR SIDE VIEW)
THICKNESS=1.6MM MIN. TOLERANCE: ±0.05



PROPOSAL IEC NO: SH2015-0219 DRW:WJHUO CH:KD: APPR:AYIN REV 1	2014/12/19 2015/03/12	DESCRIPTION REV	QUALITY SYMBOLS F _A =0 F _B =0 F _C =0	GENERAL TOLERANCES (UNLESS SPECIFIED) <table border="1"> <thead> <tr> <th></th> <th>mm</th> <th>INCH</th> </tr> </thead> <tbody> <tr> <td>4 PLACES</td> <td>± ---</td> <td>± ---</td> </tr> <tr> <td>3 PLACES</td> <td>± ---</td> <td>± ---</td> </tr> <tr> <td>2 PLACES</td> <td>± 0.20</td> <td>± ---</td> </tr> <tr> <td>1 PLACE</td> <td>± 0.30</td> <td>± ---</td> </tr> <tr> <td>0 PLACE</td> <td>± ---</td> <td>± ---</td> </tr> </tbody> </table> ANGULAR ± 3 ° DRAFT WHERE APPLICABLE MUST REMAIN WITHIN DIMENSIONS		mm	INCH	4 PLACES	± ---	± ---	3 PLACES	± ---	± ---	2 PLACES	± 0.20	± ---	1 PLACE	± 0.30	± ---	0 PLACE	± ---	± ---	DIMENSION STYLE MM ONLY DRAWN BY: WJHUO CHECKED BY: APPROVED BY: AYIN MATERIAL NO.: DATE: 2014/12/19 DATE: 2015/03/12	SCALE 5:1 TITLE SD DRAWING FOR SMT HEADER OF NANO-FIT RA DUAL SEE TABLE	DESIGN UNITS METRIC THIRD ANGLE PROJECTION	DOCUMENT NO. SD-105405-001	SHEET NO. 1 OF 2
		mm	INCH																								
	4 PLACES	± ---	± ---																								
	3 PLACES	± ---	± ---																								
2 PLACES	± 0.20	± ---																									
1 PLACE	± 0.30	± ---																									
0 PLACE	± ---	± ---																									
THIS DRAWING CONTAINS INFORMATION THAT IS PROPRIETARY TO MOLEX INCORPORATED AND SHOULD NOT BE USED WITHOUT WRITTEN PERMISSION																											
REV 1																											


10	9				8		7		6		5		4		3		2		1												
PART NUMBER	DIM. A	DIM. B	DIM. C	DIM. D	CKT SIZE	PLATING	COLOR													PART NUMBER	DIM. A	DIM. B	DIM. C	DIM. D	CKT SIZE	PLATING	COLOR				
105405-1104	8.74	3.82	2.50	7.04	4	TIN	BLACK													105405-2104	8.74	3.82	2.50	7.04	4	TIN	NATURAL				
105405-1106	11.24	5.07	5.00	9.54	6															105405-2106	11.24	5.07	5.00	9.54	6						
105405-1108	13.74	6.32	7.50	12.04	8															105405-2108	13.74	6.32	7.50	12.04	8						
105405-1110	16.24	7.57	10.00	14.54	10															105405-2110	16.24	7.57	10.00	14.54	10						
105405-1112	18.74	8.82	12.50	17.04	12															105405-2112	18.74	8.82	12.50	17.04	12						
105405-1114	21.24	10.07	15.00	19.54	14															105405-2114	21.24	10.07	15.00	19.54	14						
105405-1116	23.74	11.32	17.50	22.04	16	105405-2116														23.74	11.32	17.50	22.04	16							
105405-1204	8.74	3.82	2.50	7.04	4	GOLD 0.38														BLACK	105405-2204	8.74	3.82	2.50	7.04	4		GOLD 0.38	NATURAL		
105405-1206	11.24	5.07	5.00	9.54	6																105405-2206	11.24	5.07	5.00	9.54	6					
105405-1208	13.74	6.32	7.50	12.04	8																105405-2208	13.74	6.32	7.50	12.04	8					
105405-1210	16.24	7.57	10.00	14.54	10																105405-2210	16.24	7.57	10.00	14.54	10					
105405-1212	18.74	8.82	12.50	17.04	12																105405-2212	18.74	8.82	12.50	17.04	12					
105405-1214	21.24	10.07	15.00	19.54	14																105405-2214	21.24	10.07	15.00	19.54	14					
105405-1216	23.74	11.32	17.50	22.04	16	105405-2216															23.74	11.32	17.50	22.04	16						
105405-1304	8.74	3.82	2.50	7.04	4	GOLD 0.76															BLACK	105405-2304	8.74	3.82	2.50	7.04		4		GOLD 0.76	NATURAL
105405-1306	11.24	5.07	5.00	9.54	6																	105405-2306	11.24	5.07	5.00	9.54		6			
105405-1308	13.74	6.32	7.50	12.04	8																	105405-2308	13.74	6.32	7.50	12.04		8			
105405-1310	16.24	7.57	10.00	14.54	10																	105405-2310	16.24	7.57	10.00	14.54		10			
105405-1312	18.74	8.82	12.50	17.04	12		105405-2312	18.74	8.82	12.50	17.04	12																			
105405-1314	21.24	10.07	15.00	19.54	14		105405-2314	21.24	10.07	15.00	19.54	14																			
105405-1316	23.74	11.32	17.50	22.04	16	105405-2316	23.74	11.32	17.50	22.04	16																				



10	9				8		7		6		5		4		3		2		1								
PART NUMBER	DIM. A	DIM. B	DIM. C	DIM. D	CKT SIZE	PLATING	COLOR													PART NUMBER	DIM. A	DIM. B	DIM. C	DIM. D	CKT SIZE	PLATING	COLOR
105405-2104	8.74	3.82	2.50	7.04	4	TIN	NATURAL	105405-2106	11.24	5.07	5.00	9.54	6	TIN	NATURAL												
105405-2106	11.24	5.07	5.00	9.54	6			105405-2108	13.74	6.32	7.50	12.04	8														
105405-2108	13.74	6.32	7.50	12.04	8			105405-2110	16.24	7.57	10.00	14.54	10														
105405-2110	16.24	7.57	10.00	14.54	10			105405-2112	18.74	8.82	12.50	17.04	12														
105405-2112	18.74	8.82	12.50	17.04	12			105405-2114	21.24	10.07	15.00	19.54	14														
105405-2114	21.24	10.07	15.00	19.54	14			105405-2116	23.74	11.32	17.50	22.04	16														
105405-2116	23.74	11.32	17.50	22.04	16	105405-2204		8.74	3.82	2.50	7.04	4	GOLD 0.38	NATURAL													
105405-2204	8.74	3.82	2.50	7.04	4	105405-2206		11.24	5.07	5.00	9.54	6															
105405-2206	11.24	5.07	5.00	9.54	6	105405-2208		13.74	6.32	7.50	12.04	8															
105405-2208	13.74	6.32	7.50	12.04	8	105405-2210		16.24	7.57	10.00	14.54	10															
105405-2210	16.24	7.57	10.00	14.54	10	105405-2212		18.74	8.82	12.50	17.04	12															
105405-2212	18.74	8.82	12.50	17.04	12	105405-2214		21.24	10.07	15.00	19.54	14															
105405-2214	21.24	10.07	15.00	19.54	14	105405-2216		23.74	11.32	17.50	22.04	16															
105405-2216	23.74	11.32	17.50	22.04	16	105405-2304		8.74	3.82	2.50	7.04	4	GOLD 0.76			NATURAL											
105405-2304	8.74	3.82	2.50	7.04	4	105405-2306		11.24	5.07	5.00	9.54	6															
105405-2306	11.24	5.07	5.00	9.54	6	105405-2308		13.74	6.32	7.50	12.04	8															
105405-2308	13.74	6.32	7.50	12.04	8	105405-2310		16.24	7.57	10.00	14.54	10															
105405-2310	16.24	7.57	10.00	14.54	10	105405-2312		18.74	8.82	12.50	17.04	12															
105405-2312	18.74	8.82	12.50	17.04	12	105405-2314	21.24	10.07	15.00	19.54	14																
105405-2314	21.24	10.07	15.00	19.54	14	105405-2316	23.74	11.32	17.50	22.04	16																
105405-2316	23.74	11.32	17.50	22.04	16																						

NOTES FOR ALL PARTS

<p>1> MATERIAL: HOUSING: LCP. TERMINAL: BRASS. SOLDER CLIP: BRASS.</p> <p>2> PLATING FINISHED: TERMINAL: CONTACT AREA: a. TIN 0.76 MICRONS MIN; b. GOLD 0.38 MICRONS MIN; c. GOLD 0.76 MICRONS MIN. SOLDER AREA: TIN 0.76 MICRONS MINIMUM. UNDER PLATING NICKEL 1.25 MICRONS MINIMUM. SOLDER CLIP: TIN 2.5 MICRONS MINIMUM; UNDER PLATING NICKEL 1.25 MICRONS MINIMUM.</p> <p>3> PRODUCT SPECIFICATION: PS-105300-100 4> PACKAGE: TRAY, PK-105405-001.</p>	<p>5> ALL COMPONENTS AND PRODUCT COMPLIANT TO RoHS DIRECTIVE 2011/65/EU AND ELV DIRECTIVE 2000/53/EC.</p> <p>6> PRODUCT MATE WITH SERIES OF 105308(RECEPTACLE), 105300(CRIMP TERMINAL).</p> <p>7> PARTS CONFORM TO CLASS 'B' REQUIREMENTS OF COSMETIC SPECIFICATION PS-45499-002.</p>
--	--

PROPOSAL EC NO: SH2015-0219 DRWING: JHU0 2014/12/19 CHKD: APPR: AYIN 2015/03/12	QUALITY SYMBOLS	GENERAL TOLERANCES (UNLESS SPECIFIED)	DIMENSION STYLE	SCALE	DESIGN UNITS	THIRD ANGLE PROJECTION	
	$F_A=0$ $F_G=0$ $F_P=0$	mm INCH 4 PLACES ± --- ± --- 3 PLACES ± --- ± --- 2 PLACES ± 0.20 ± --- 1 PLACE ± 0.30 ± --- 0 PLACE ± --- ± ---	MM ONLY	4:1	METRIC	<input checked="" type="checkbox"/> THIRD ANGLE PROJECTION	
		ANGULAR ± 3 °	DRAWN BY DATE	TITLE			
		DRAFT WHERE APPLICABLE MUST REMAIN WITHIN DIMENSIONS	WJHU0 2014/12/19	SD DRAWING FOR SMT HEADER OF NANO-FIT RA DUAL			
		APPROVED BY DATE					
		MATERIAL NO.	DOCUMENT NO.				
		SEE CHART	SD-105405-001				
		SIZE	SHEET NO.				
		A3	2 OF 2				
		THIS DRAWING CONTAINS INFORMATION THAT IS PROPRIETARY TO MOLEX INCORPORATED AND SHOULD NOT BE USED WITHOUT WRITTEN PERMISSION					