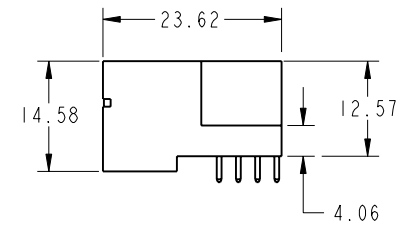
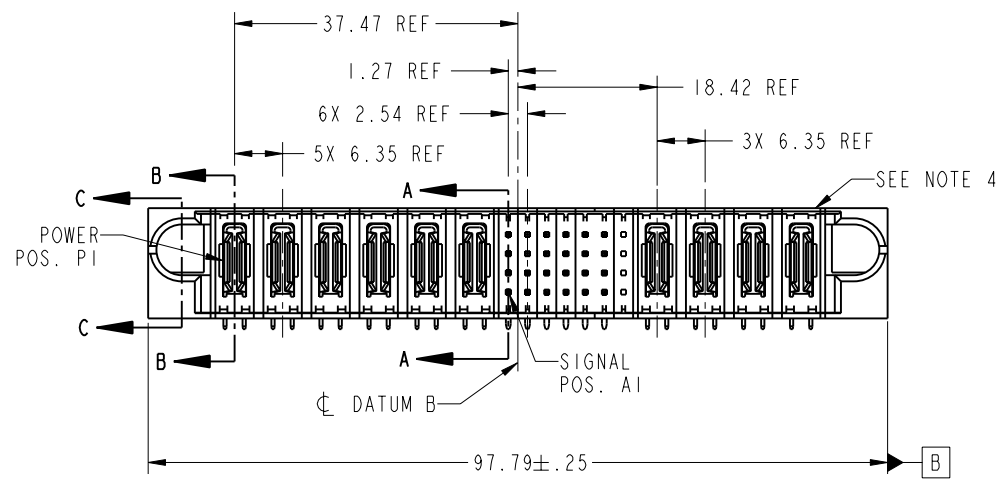


Tous droits strictement réservés. Reproduction ou communication a des tiers interdite sous quelque forme que ce soit sans autorisation écrite du propriétaire. Propriété de c FCI. Droits de reproduction FCI.



All rights strictly reserved. Reproduction or issue to third parties in any form whatever is not permitted without written authority from the proprietor. Property of FCI. Copyright FCI.

PRODUCT NO.	ROWS	POWER						SIGNAL							POWER				E2	
		E1	P1	P2	P3	P4	P5	P6	1	2	3	4	5	6	7	P7	P8	P9		P10
51730-126-- NOTE 3	D C B A		PA	PA	PA	PA	PA	PA	UUUUUU	UUUUUU	UUUUUU	UUUUUU	UUUUUU	UUUUUU	UUUUUU	UUUUUU	UUUUUU	UUUUUU	UUUUUU	



CODE	DIM "M" MATING LENGTH	CONTACT TYPE
U	[6.86]	SIGNAL
T	[6.86]	SIGNAL
S	[6.86]	SIGNAL
R	[6.86]	SIGNAL
PA	[N/A]	POWER
E	[5.59]	SIGNAL
X	OMITTED	OMITTED

mat'l code				SEE NOTE		tolerances unless otherwise specified		CUSTOMER	
ltr	ecn no.	dr	date	linear	0.X ±0.3		COPY		
A	DG06-0214	JMG	05/31/06		0.XX ±0.10		projection		
				angles	0.XXX ±0.050		MM		
					0° ±2°		scale		
				dr	JM GUO	05/31/06	1:1		
				engr	SLUO	05/31/06			
				chr	BEER FU	05/31/06			
				appd	JOSEPH HSIA	05/31/06			
sheet index	revision sheet	A	A	A	A	A			
		1	2	3	4				

CONFIDENTIAL

FCI www.fciconnect.com

title 6P + 28S + 4P
RIGHT ANGLE SOLDER HEADER

product family PwrBlade code 213
size dwg no 51730-126 sheet 1 of 4

cage code 22526

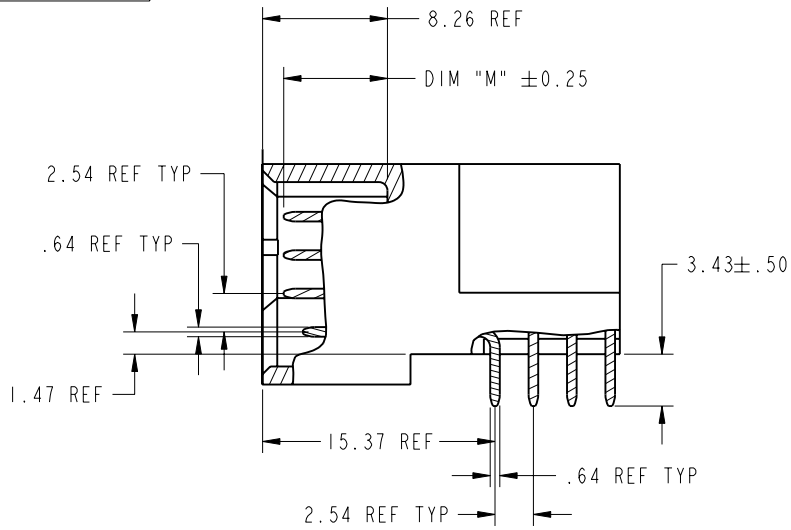
Tous droits strictement réservés. Reproduction ou communication à des tiers interdite sous quelque forme que ce soit sans autorisation écrite du propriétaire. Propriété de c FCI. Droits de reproduction FCI.



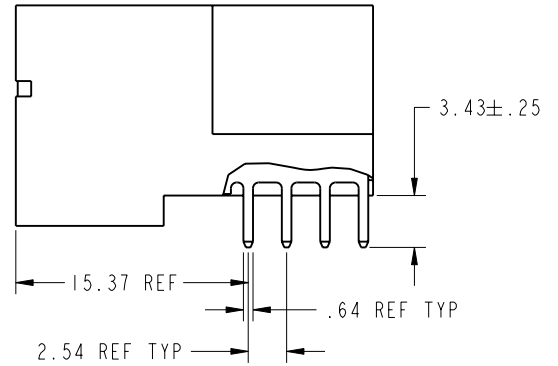
All rights strictly reserved. Reproduction or issue to third parties in any form whatever is not permitted without written authority from the proprietor. Property of FCI. Copyright FCI.

PRODUCT NUMBER

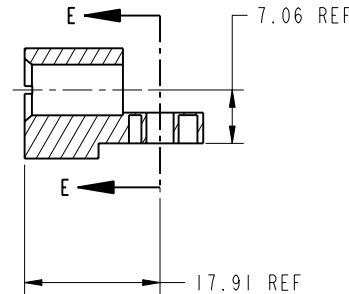
51730-126--
NOTE: 3



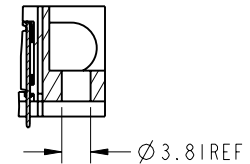
BROKEN-OUT SECTION A-A
SCALE 2:1



BROKEN-OUT SECTION B-B
SCALE 2:1



SECTION C-C



PARTIAL SECTION E-E

CONFIDENTIAL

mat'l code				SEE NOTE		tolerances unless otherwise specified		CUSTOMER		FCI www.fciconnect.com	
lfr	ecr no.	dr	date	linear	0.X ±0.3		COPY		projection	title	
A					0.XX ±0.10		MM			6P + 28S + 4P	
					0.XXX ±0.050		1:1			RIGHT ANGLE SOLDER HEADER	
					angles	0° ±2°		scale		product family PwrBlade code	
				dr	JM GUO	05/31/06			size	dwg no	213
				engr	SLUO	05/31/06			A	51730-126	sheet
				chr	BEER FU	05/31/06					2 of 4
				appd	JOSEPH HSIA	05/31/06					
sheet index	revision sheet										

Pro/E

code code 22526

PDM: Rev:A

STATUS: Released

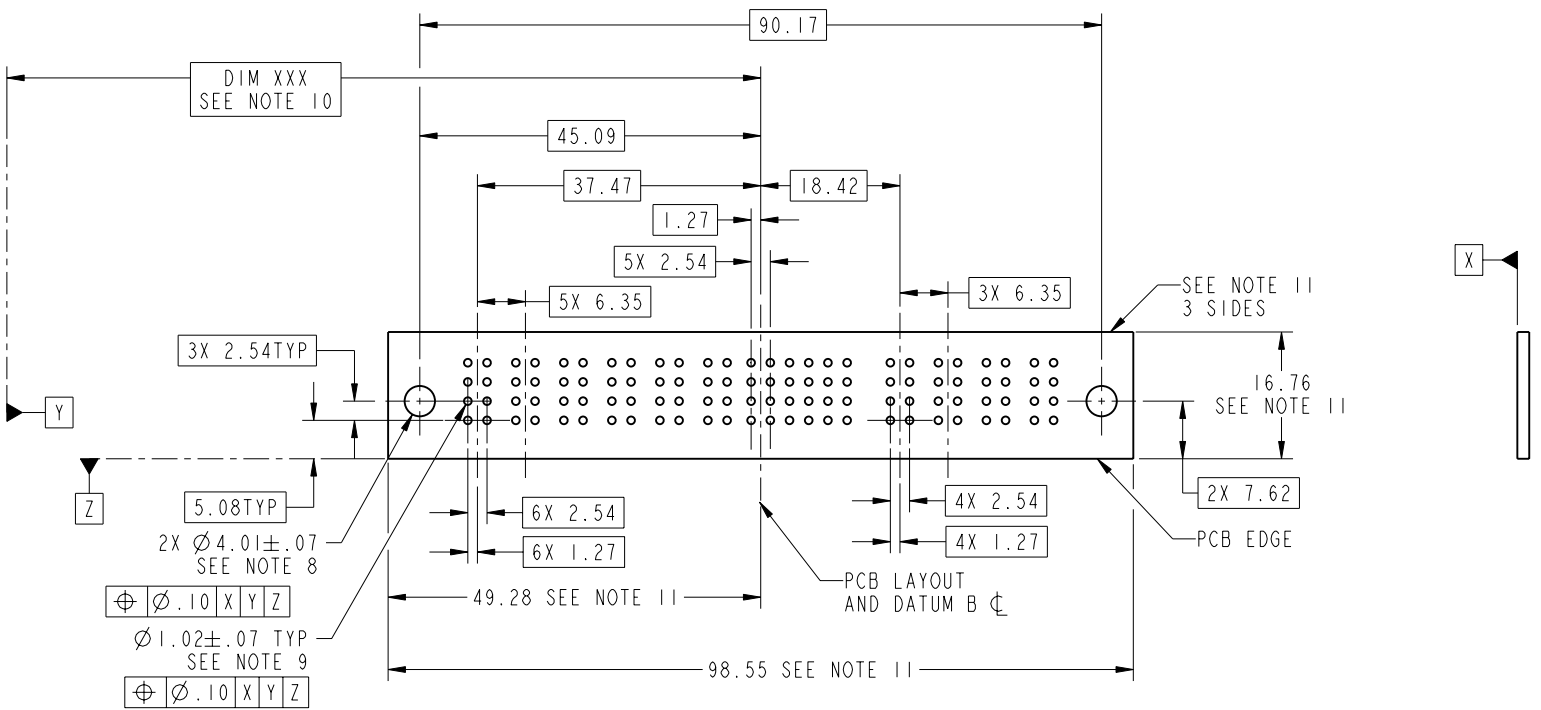
Printed: Dec 20, 2010

Tous droits strictement réservés. Reproduction ou communication o des liers interdite sous quelque forme que ce soit sans autorisation écrite du propriétaire. Propriété de c FCI. Droits de reproduction FCI.



All rights strictly reserved. Reproduction or issue to third parties in any form whatever is not permitted without written authority from the proprietor. Property of FCI. Copyright FCI.

PRODUCT NUMBER
51730-126--
NOTE: 3



RECOMMENDED PCB LAYOUT

CONFIDENTIAL

mat'l code				SEE NOTE		tolerances unless otherwise specified		CUSTOMER		www.fciconnect.com	
lfr	ecr no.	dr	date	linear	0.X ± 0.3		COPY			title	
A					0.XX ± 0.10		MM			6P + 28S + 4P	
					0.XXX ± 0.050					RIGHT ANGLE SOLDER HEADER	
				angles	0° ± 2°		scale		product family		
				dr	JM GUO	05/31/06	1:1		PwrBlade		
				engr	SLUO	05/31/06			code		
				chr	BEER FU	05/31/06			213		
				appd	JOSEPH HSIA	05/31/06			3 of 4		
sheet index		revision sheet									

cage code 22526

Pro/E

Tous droits strictement réservés. Reproduction ou communication à des tiers interdite sous quelque forme que ce soit sans autorisation écrite du propriétaire. Propriété de c FCI. Droits de reproduction FCI.



All rights strictly reserved. Reproduction or issue to third parties in any form whatever is not permitted without written authority from the proprietor. Property of FCI. Copyright FCI.

PRODUCT NUMBER

51730-126--
NOTE: 3

NOTES:

1. DIMENSIONS AND TOLERANCES ARE IN ACCORDANCE WITH ASME Y14.5M, 1994 UNLESS OTHERWISE SPECIFIED.

CONNECTOR NOTES:

- 2. HOUSING MATERIAL: UL 94 V-0 GLASS FILLED
HIGH-TEMP THERMOPLASTIC
POWER CONTACT MATERIAL: COPPER ALLOY
SIGNAL PIN MATERIAL: COPPER ALLOY
 - 3. 51730-126;51730-126LF;51730-126GLF PLATING SPEC. SEE PRINT:10064183
 - 4. MANUFACTURER'S NAME, P/N, AND DATE CODE TO APPEAR ON THIS SURFACE.
 - 5. PRODUCT SPECIFICATION GS-12-149.
APPLICATION SPECIFICATION BUS-20-067.
 - 6. PACKAGED IN TRAYS.
- PCB NOTES:
- 7. ALL HOLE DIAMETERS ARE FINISHED HOLE SIZE.
 - 8. MOUNTING HOLES, WHERE APPLICABLE, ARE UNPLATED.
 - 9. $\varnothing 1.151 \pm 0.025$ DRILLED HOLES PLATED WITH
0.008 MIN SnPb OVER 0.03
TO 0.08 Cu PLATING TO ACHIEVE
 $\varnothing 1.02 \pm .07$ HOLE.
 - 10. "DIM XXX" TO BE DETERMINED BY THE CUSTOMER.
 - 11. CONNECTOR KEEP-OUT ZONE.

CONFIDENTIAL

mat'l code				SEE NOTE		tolerances unless otherwise specified		CUSTOMER		www.fciconnect.com	
ltr	ecr no.	dr	date	linear	0.X ±0.3		COPY			title	
A					0.XX ±0.10		MM			6P + 28S + 4P	
					0.XXX ±0.050					RIGHT ANGLE SOLDER HEADER	
				angles	0° ±2°				product family		
				dr	JM GUO	05/31/06			PwrBlade		
				engr	SLUO	05/31/06			code		
				chr	BEER FU	05/31/06			213		
				appd	JOSEPH HSIA	05/31/06			4 of 4		
sheet index		revision sheet									

cage code 22526

Pro/E

PDM: Rev:A

STATUS: Released

Printed: Dec 20, 2010