



PRODUCT DATASHEET

Florentina series

last update 18/8/2016

DETAILS

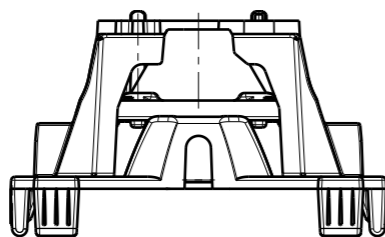
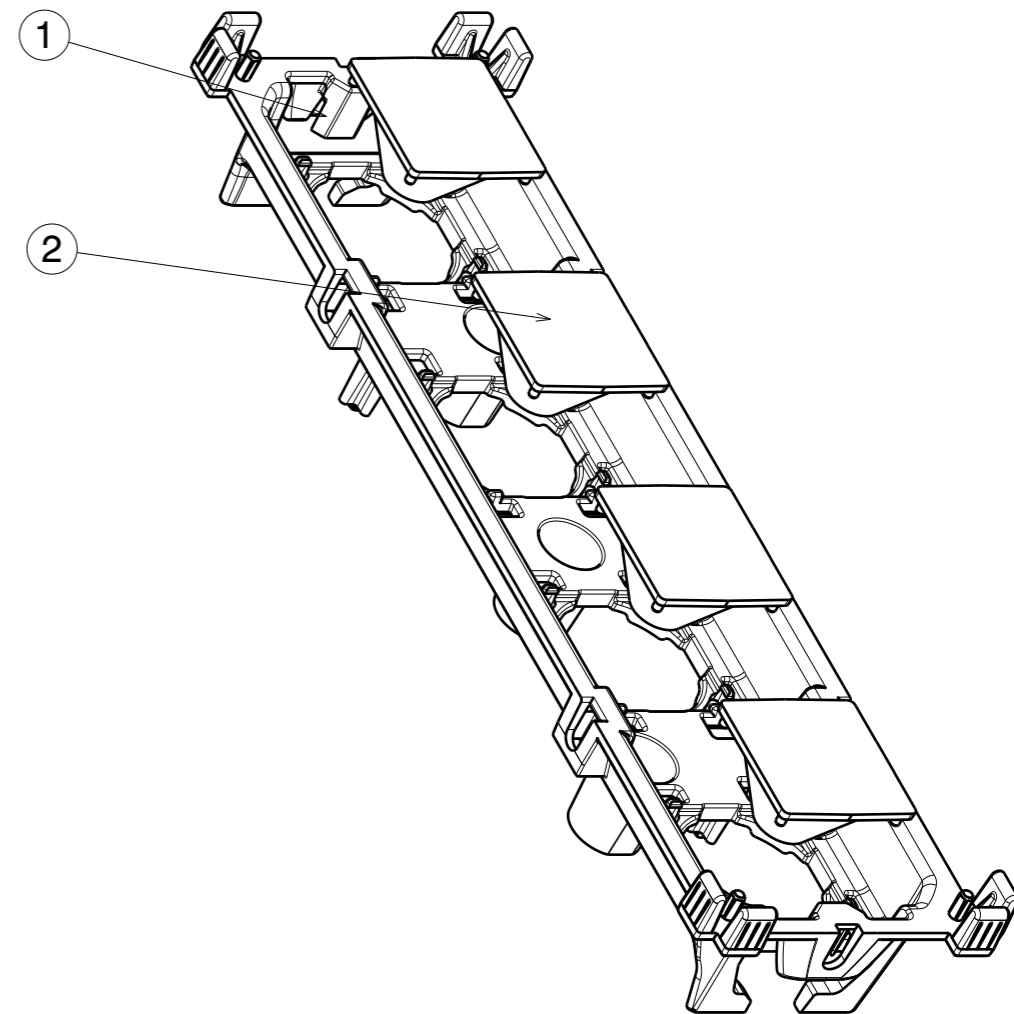
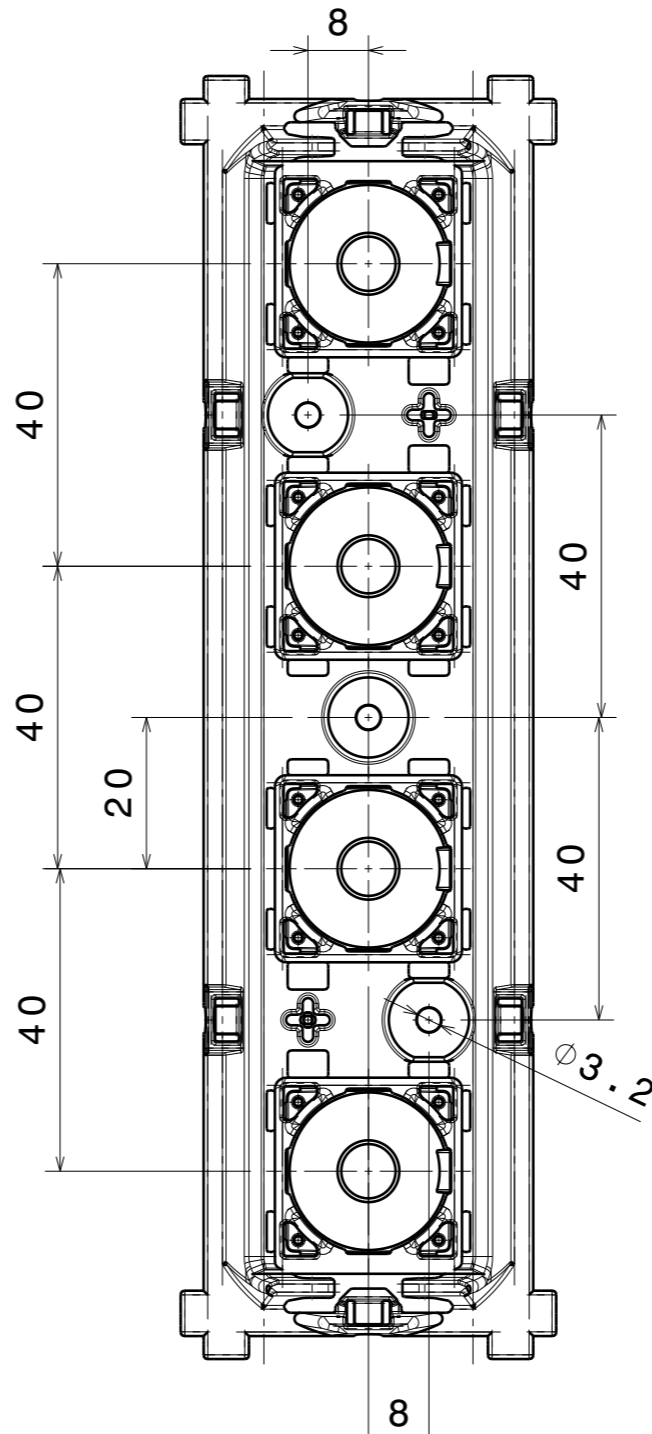
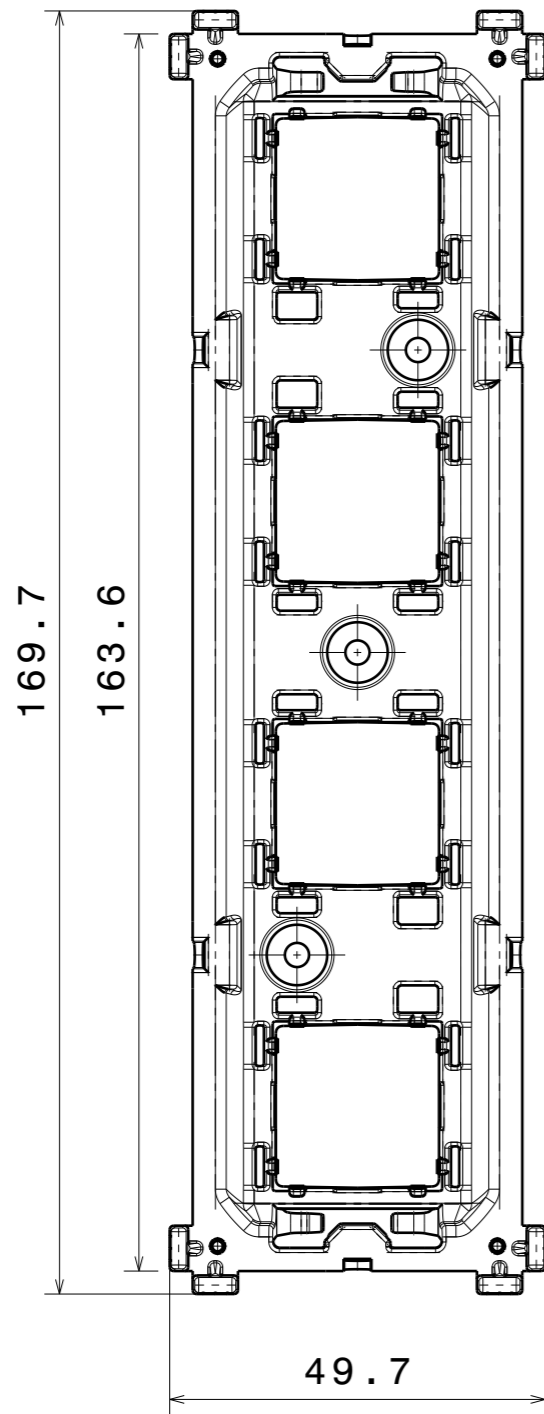
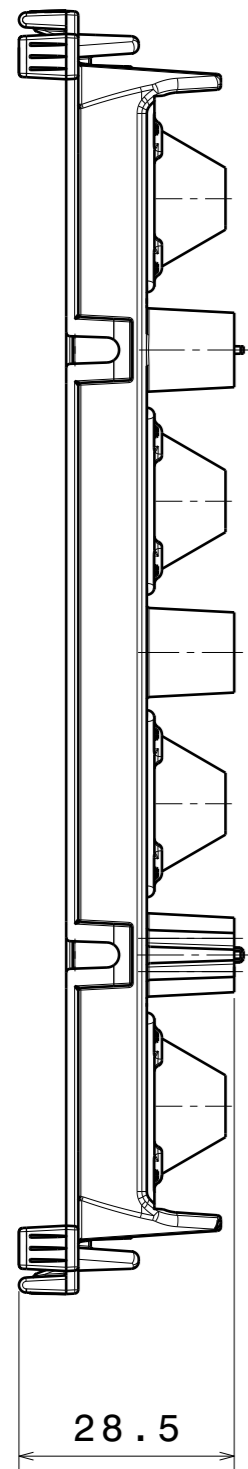
Product Number	FCP15709_FLORENTINA-4X1-MRK-M
Family	Florentina
Type	Assembly
Color	black
Diameter	169,67x49,67 mm
Height	29,72 mm
Style	rectang
Optic Material	PC
Holder Material	
Fastening	screw, pin
Status	production ready
ROHS Compliant	Yes
Date Updated	18/08/2016



OPTICAL PROPERTIES

LED	Viewing Angle	Light Beam	Efficiency	cd/lm	Connector
-	NA deg	Medium	-	-	-

H G F E D C B A



INDEX	PART NO	DESCRIPTION	MATERIAL	COLOUR
1		FLORENTINA-4x1-HLD	PC	
2		ROSE (4x)	PC	

Tolerances if not otherwise shown
 According to DIN ISO 2768-1
 Linear measures:
 Up to 30mm class M, otherwise class C.
 According to DIN ISO 2768-2
 Form and position: class L

LEDiL Ledil Oy
 Salorankatu 10
 FIN 24240 SALO
 Finland

THIRD ANGLE PROJECTION:

DRAWING TITLE
FLORENTINA-4X1-HLD+LENS

This drawing is the property of LEDiL Oy. It may not be reproduced, copied or communicated without a written agreement with LEDiL Oy.

SIZE PART NUMBER
A3

SCALE 1:1 WEIGHT 25,33 g SHEET 1/1

H G B A

NOTE: The typical divergence will be changed by different color, chip size and chip position tolerance. The typical total divergence is the full angle measured where the luminous intensity is half of the peak value.