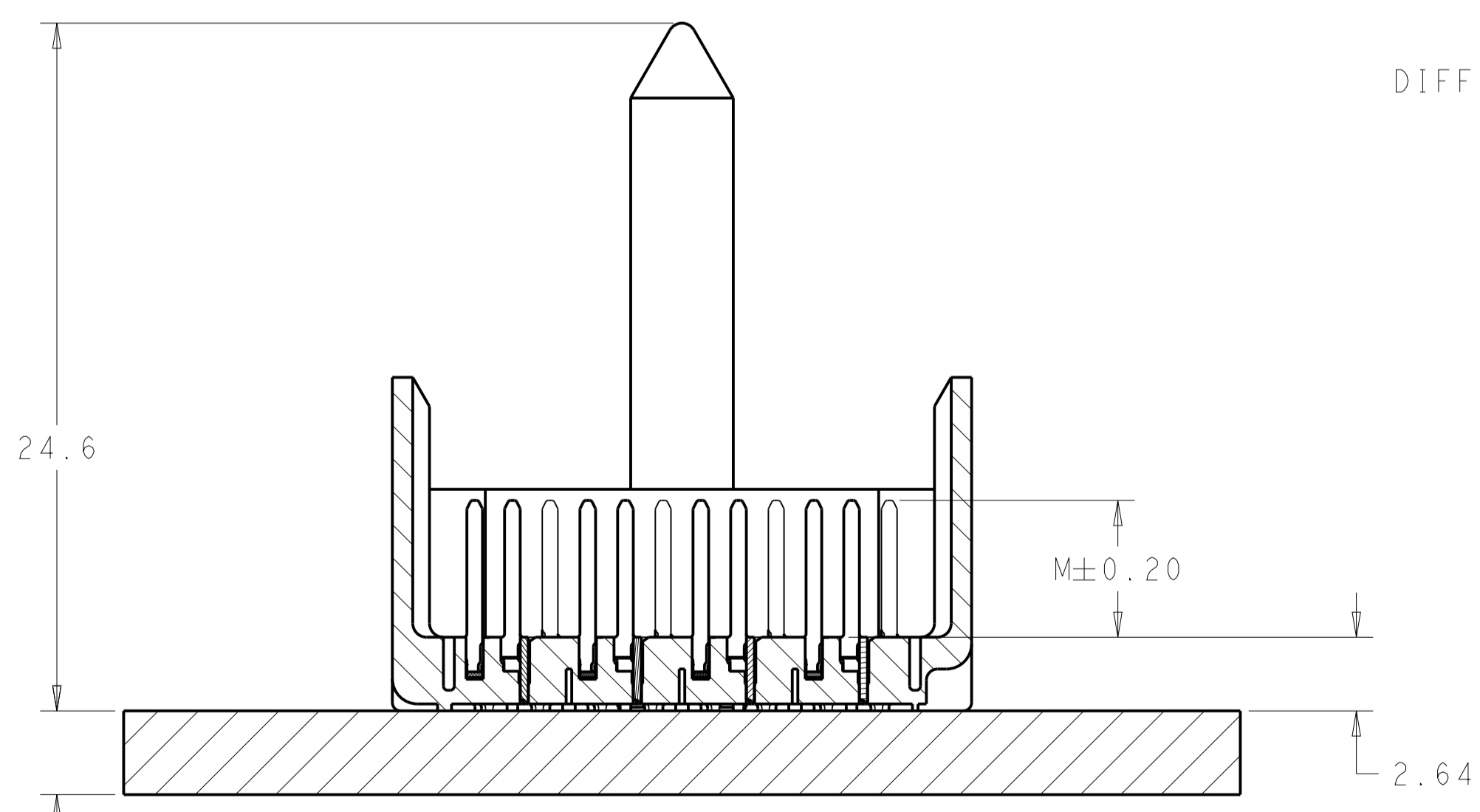
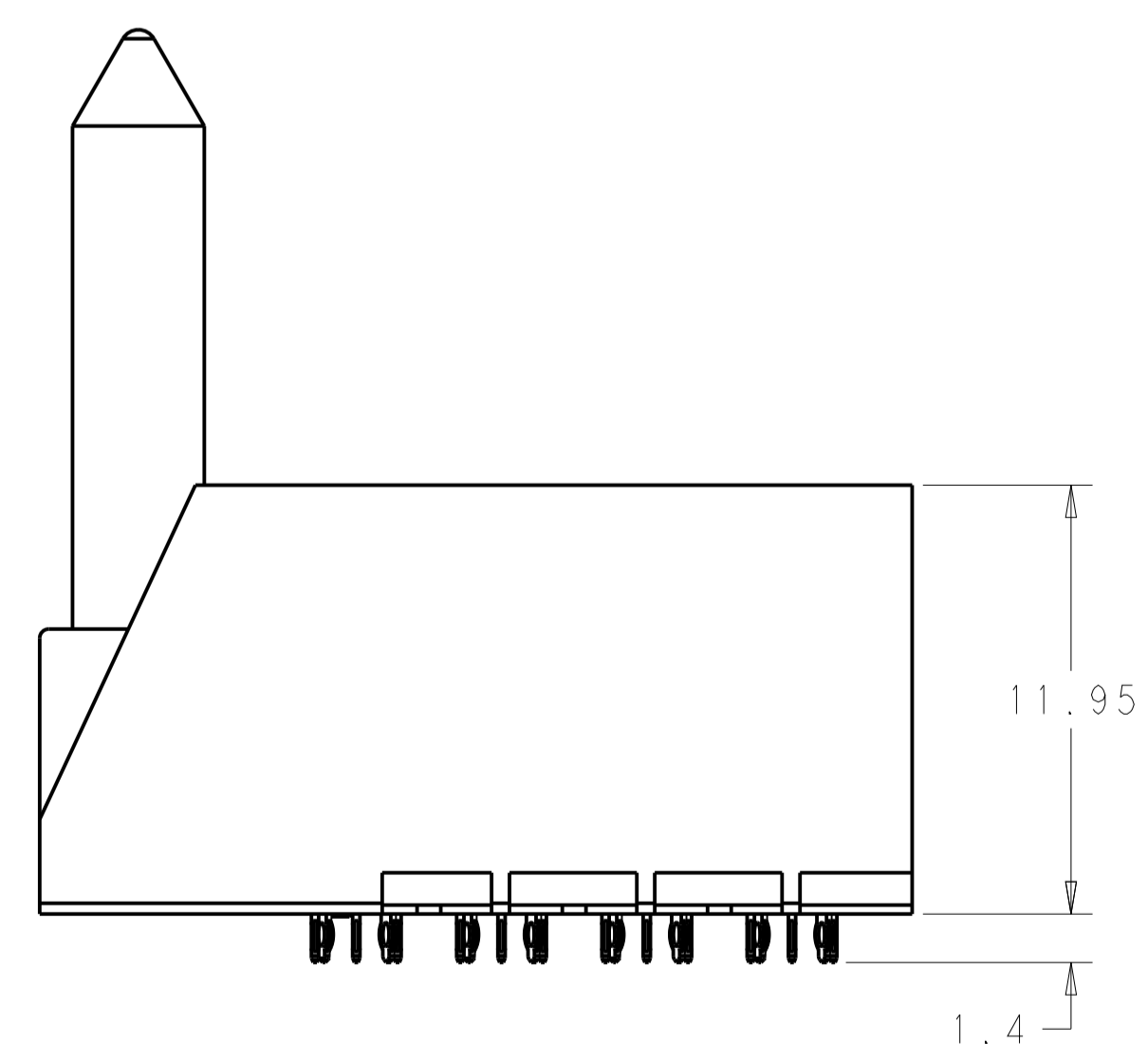
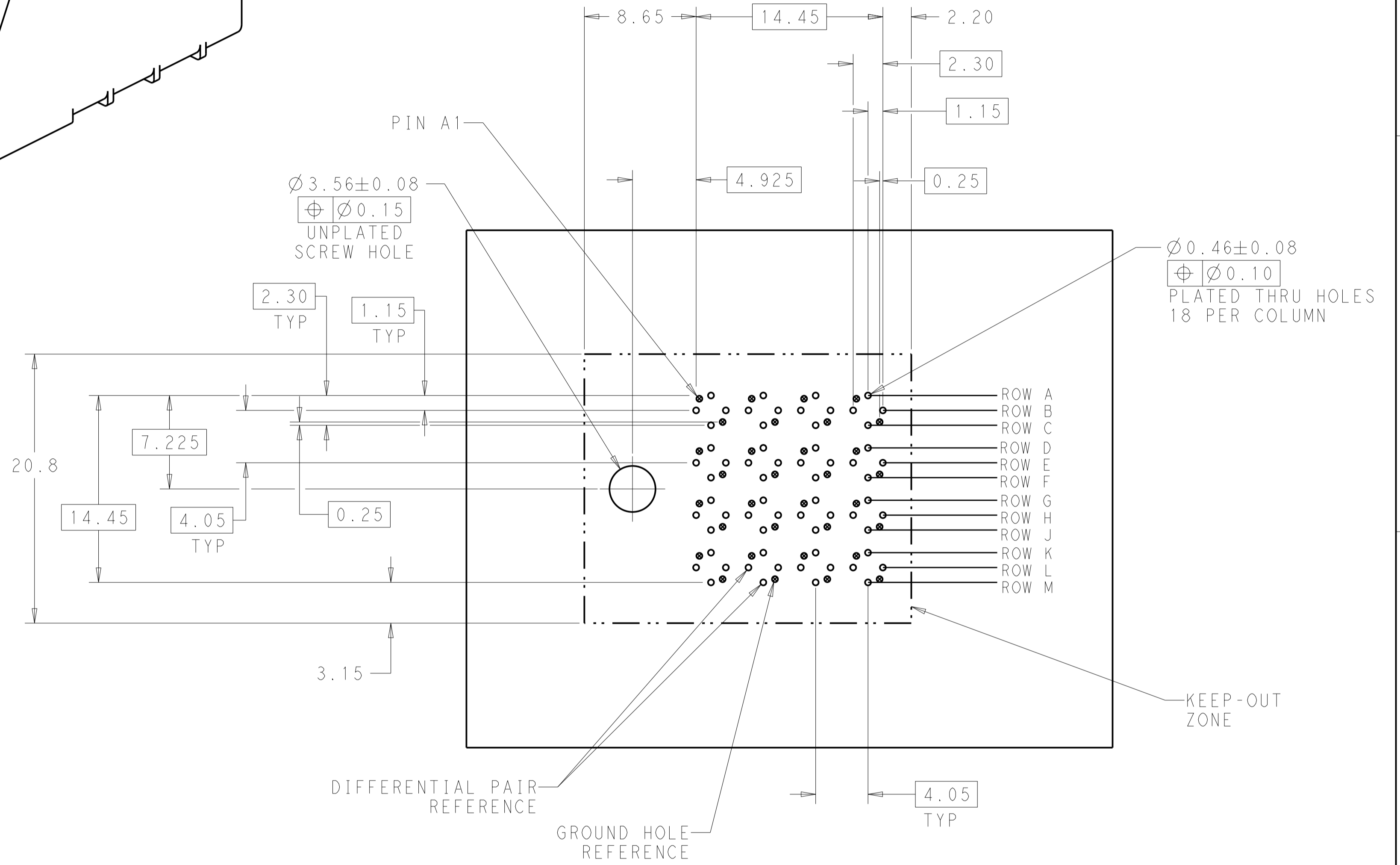
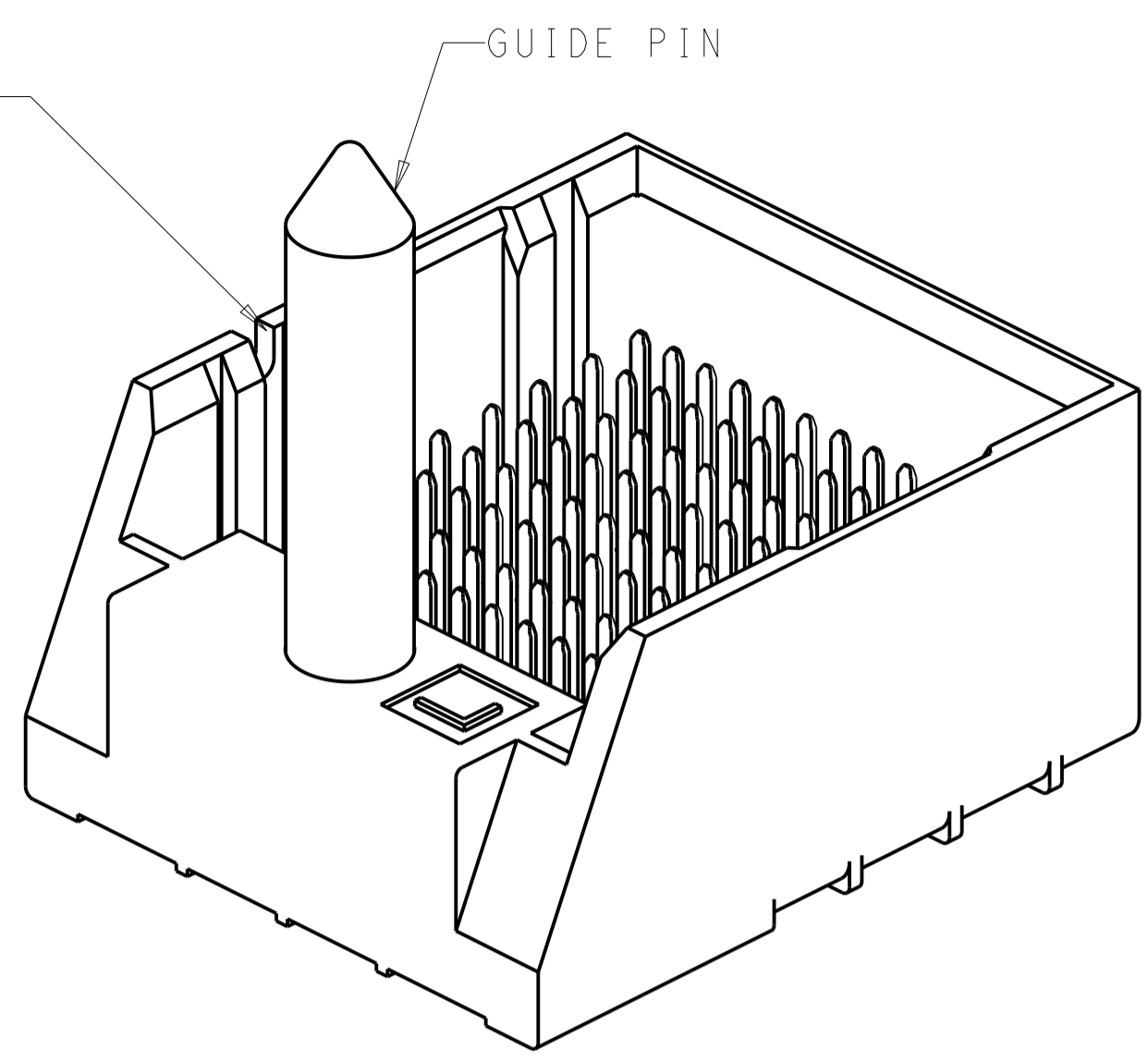
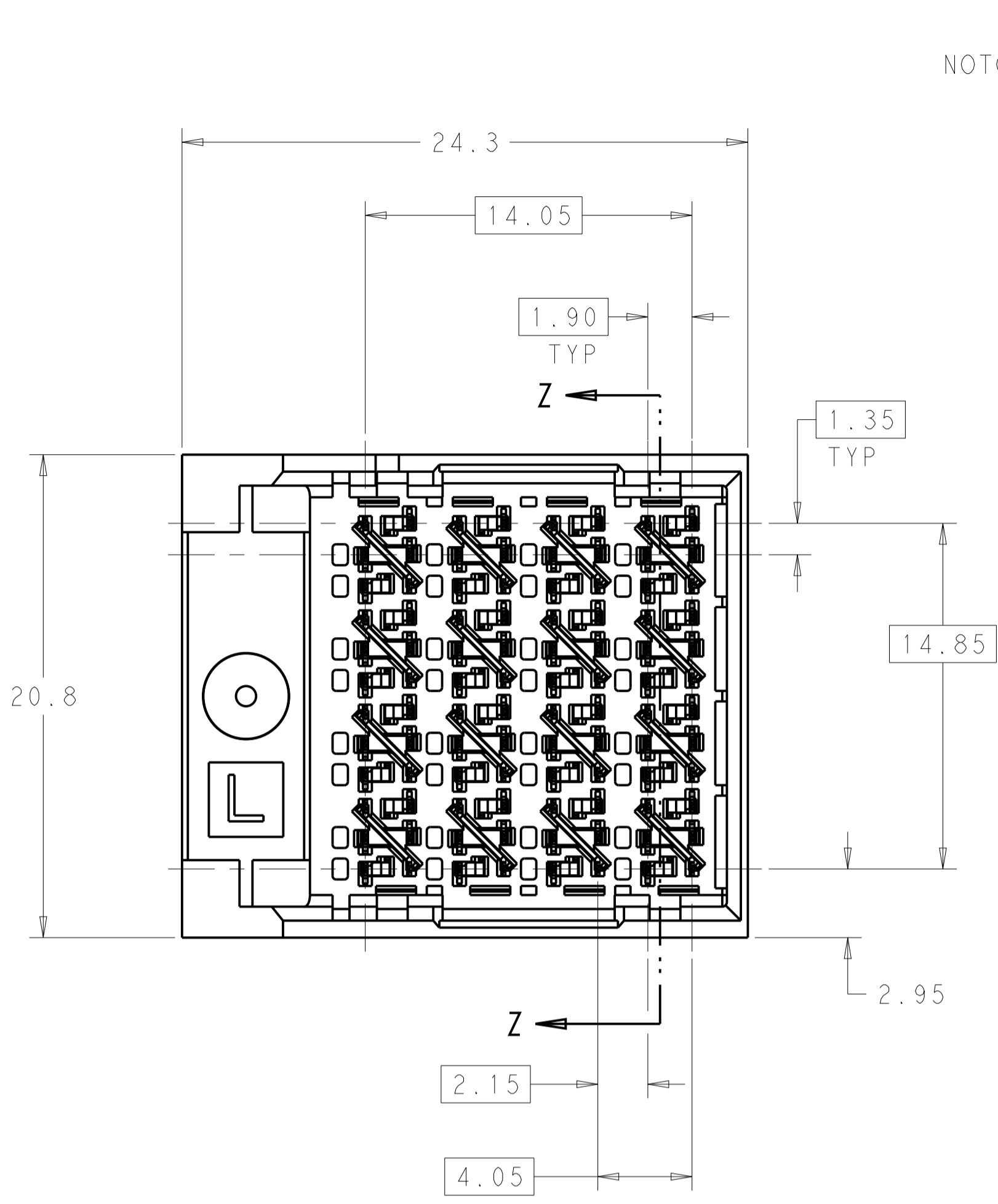


REVISIONS				
P.	LTN.	DESCRIPTION	DATE	APVD.
B		REVISED PER ECO-14-013271	06SEP2014	AP DD

△ MATERIAL:  
HOUSING: LCP GLASS FILLED UL94V-0  
TERMINALS: HIGH PERFORMANCE COPPER ALLOY

△ FINISH:  
30µ" MIN GOLD IN CONTACT AREA  
SELECTIVE TIN ON PCB TAILS.  
NICKEL OVERALL.

3. CONNECTOR SUPPLIED WITH MOUNTING SCREW.



3.00 MIN BOARD THICKNESS

SECTION Z-Z

LEFT GUIDED BACKPLANE HOLE PATTERN (CONNECTOR SIDE) SCALE 4:1

△	5.5	2132618-2
△	4.9	2132618-1
FINISH	DIM M	PART NUMBER

THIS DRAWING IS A CONTROLLED DOCUMENT.		DWN J. K. SHOBER 04JUN2010	TE Connectivity	
DIMENSIONS: mm		CHK J. EARY 04JUN2010	NAME IMPACT, 4 PAIR, 8 COLUMN, LEFT GUIDED RIGHT END WALL ASSEMBLY, ORTHOGONAL, 0.46 PTH	
TOLERANCES UNLESS OTHERWISE SPECIFIED:		APVD J. EARY 04JUN2010	PRODUCT SPEC	
0 PLC ±0.25		APPLICATION SPEC		
2 PLC ±0.13		SIZE CAGE CODE DRAWING NO		
3 PLC ±0.10		RESTRICTED TO		
4 PLC ±0.08		A100779C=2132618		
ANGLES ±0		SCALE 5:1 SHEET 1 OF 1 REV B		
MATERIAL FINISH SEE TABLE		Customer Drawing		