

4

3

2

1

THIS DRAWING IS UNPUBLISHED.

RELEASED FOR PUBLICATION

20

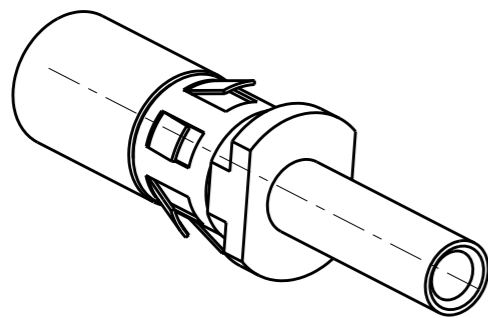
© COPYRIGHT 20

BY TYCO ELECTRONICS CORPORATION. ALL INTERNATIONAL RIGHTS RESERVED.

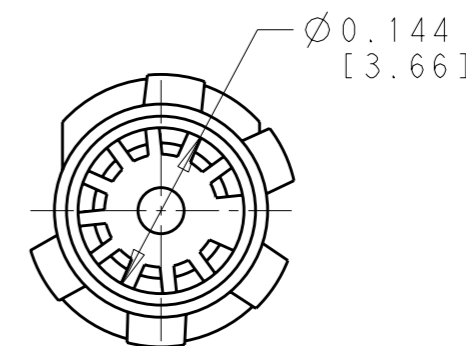
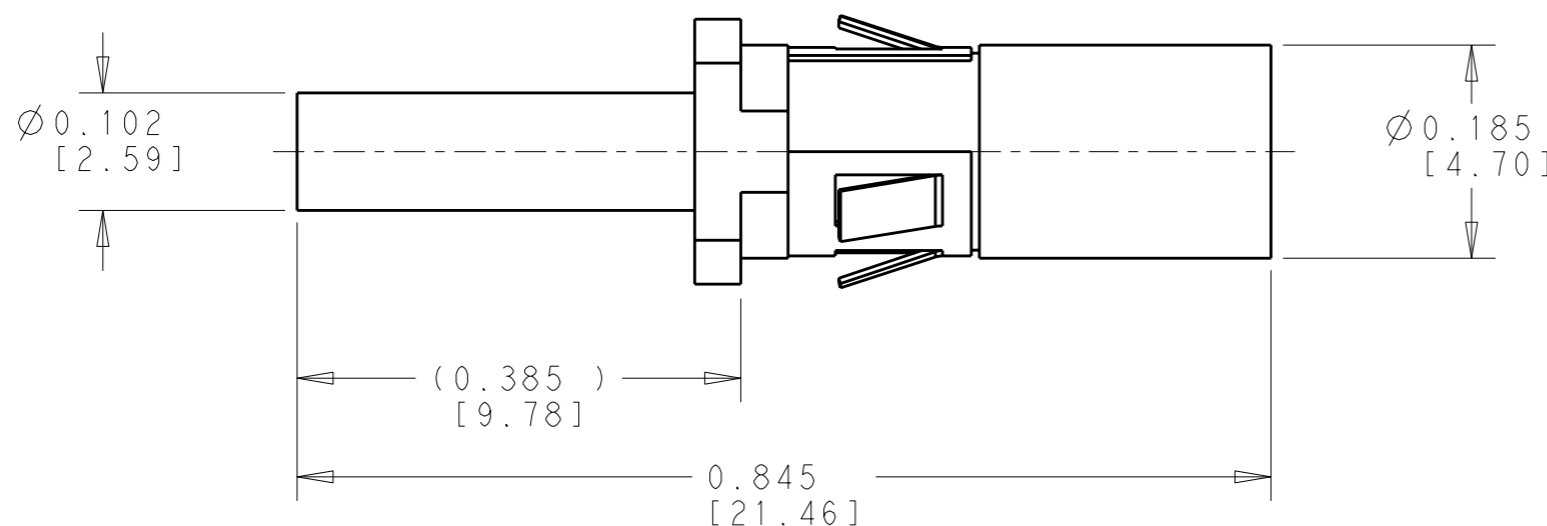
LOC GP DIST 00

REVISIONS

P	LTR	DESCRIPTION	DATE	DWN	APVD
	A	RELEASED PER ECO-10-010390	20MAY2010	RG	DO



SCALE 4:1



1 MATERIAL:  
 SOCKET BODY: COPPER ALLOY  
 RETENTION CLIP: STAINLESS STEEL  
 CONTACT BAND: BERYLLIUM COPPER

2 FINISH:  
 SOCKET BODY: GOLD PLATE .000030 (0.76µm) MIN THK GOLD OVER  
 .000050 (1.27µm) MIN THK NICKEL  
 CONTACT BAND: GOLD PLATE .000030 (0.76µm) MIN THK. OVER  
 NICKEL .000040 (1.02µm) MIN THK.

3. WIRE BARREL WILL ACCEPT No.18 - 16 AWG WIRE

4. MATES WITH P/N 1986601-1

AS SHOWN	1986615-1
DESCRIPTION	PART NO.

THIS DRAWING IS A CONTROLLED DOCUMENT FOR TYCO ELECTRONICS CORPORATION IT IS SUBJECT TO CHANGE AND THE CONTROLLING ENGINEERING ORGANIZATION SHOULD BE CONTACTED FOR THE LATEST REVISION.		DWN R.GRZYBOWSKI 15DEC2009	Tyco Electronics Harrisburg, PA 17105-3608	
DIMENSIONS: INCHES [mm]		CHK G.STEINHAUER 15DEC2009		
TOLERANCES UNLESS OTHERWISE SPECIFIED:		APVD M.PERCHERKE 15DEC2009	NAME SOCKET POWER MODIFIED No.16 -18 AWG	
0 PLC ±- 1 PLC ±- 2 PLC ±.02[0.5] 3 PLC ±.010[0.25] 4 PLC ±- ANGLES ±-		PRODUCT SPEC -	SIZE CAGE CODE DRAWING NO RESTRICTED TO	
MATERIAL 1		APPLICATION SPEC -	A300779 C-1986615	
FINISH 2		WEIGHT -	SCALE 6:1 SHEET 1 OF 1 REV A	
CUSTOMER DRAWING				