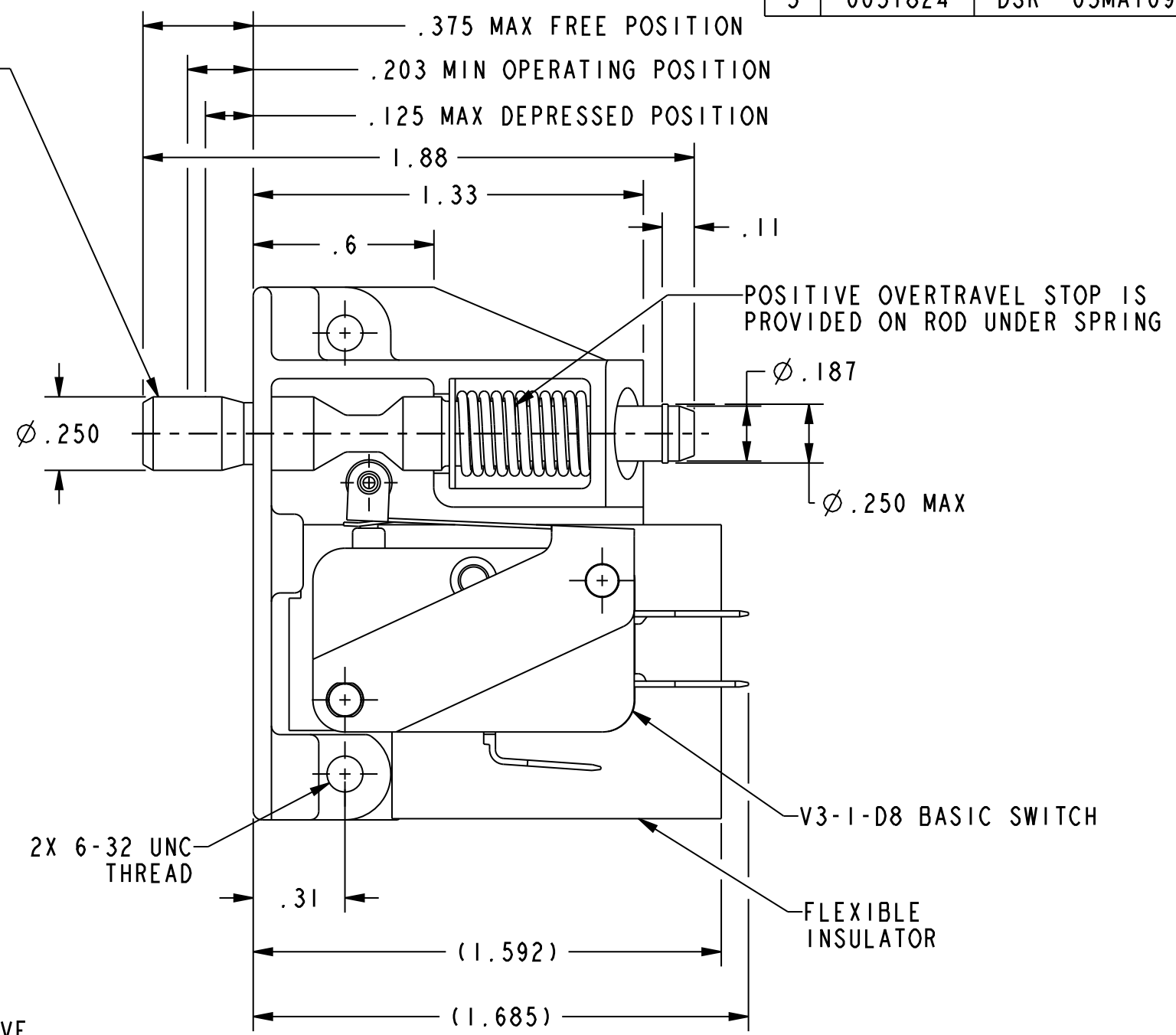
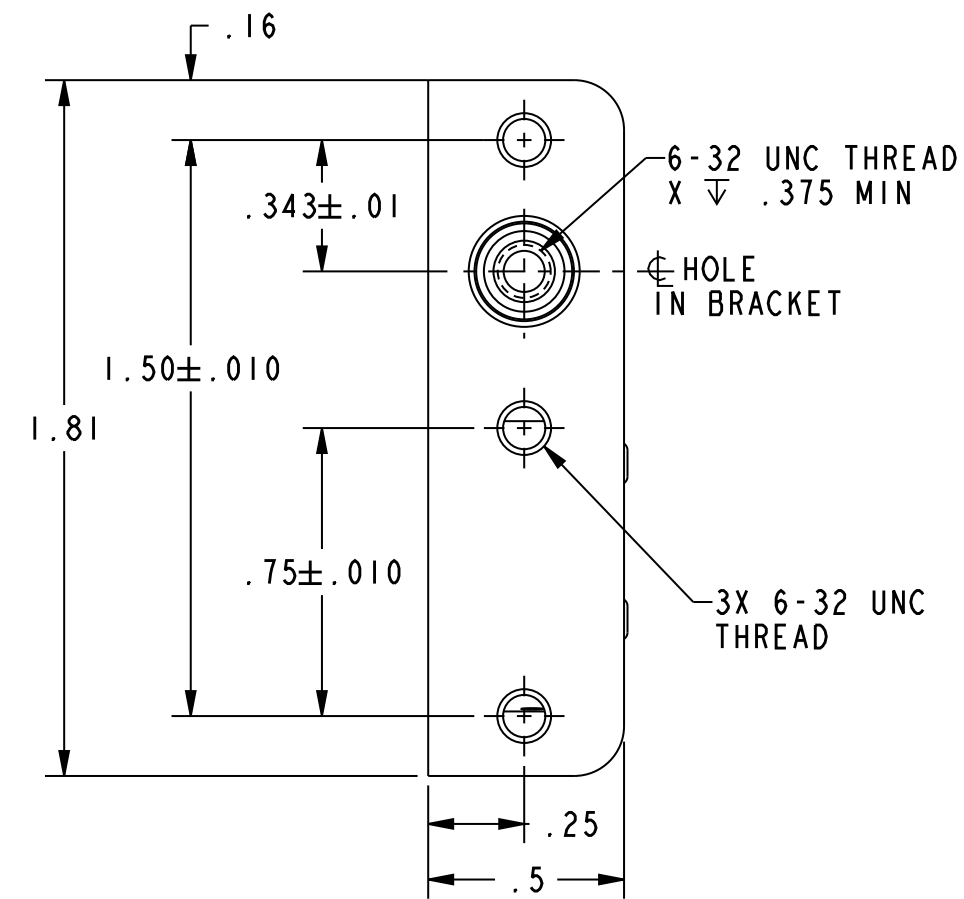


HONEYWELL PART NUMBER
3AC6-D8
PRODUCT CODE
KC-C0075

REV	DOCUMENT	CHANGED BY	CHECK
5	0051824	DSK 05MAY09	CMH

PUSH TO OPERATE-RETURNS AUTOMATICALLY TO POSITION SHOWN  
 PULL TO OPERATE-REMAINS IN OPERATED POSITION UNTIL RESET FOR AUTOMATIC RETURN BY NEXT FULL STROKE "PUSH" OPERATION



- NOTES:
- 1 - NOTCH IN ACTUATOR ROD WILL PERMIT .035 DISPLACEMENT BETWEEN END OF ROD AND HOLE IN BRACKET
  - 2 - PLASTIC PARTS ARE MADE OF MINERAL FILLED PHENOLICS
  - 3 - WITH ROD IN EITHER ACTUATED POSITION, BASIC SWITCH PLUNGER MUST HAVE .010 MIN OVERTRAVEL AND WITH ROD IN FREE POSITION BASIC SWITCH PLUNGER MUST HAVE .005 MIN RELEASE TRAVEL

RELEASE NO. PR-6063

<b>CHARACTERISTICS</b>	<b>ELECTRICAL DATA</b>	DESIGN UNITS: INCH	DRAWN	KDR	09SEP96	<b>Honeywell</b>				
		TOLERANCES UNLESS NOTED:	CHECK	-	-					
TOTAL TRAVEL .250 APPROX PUSH DIRECTION .187 APPROX PULL DIRECTION	CONTACT ARRANGEMENT S P D T	NO PLACES    x    ± ONE PLACE    .x    ± TWO PLACE    .xx    ± THREE PLACE .xxx    ± ANGLES        x    ±	THIS DRAWING COVERS A PROPRIETARY ITEM AND IS THE PROPERTY OF HONEYWELL. THIS DRAWING IS NOT TO BE COPIED OR USED WITHOUT THE PERMISSION OF HONEYWELL.			TITLE <b>ASSEMBLY - SWITCH</b>				
FULLY DEPRESSED FORCE ---- 4 LB MAX BREAK DISTANCE ----- .040 APPROX	15.1A 1/2HP 125, 250 VAC 1/2A 125 VDC, 1/4A 250 VDC 5A 125 VAC "L"	THIRD ANGLE PROJECTION	INTERPRET PER ANSI Y14.5M-1982 OTHER HONEYWELL ENGINEERING STANDARDS MAY APPLY			SIZE	TYPE	CAGE CODE	DRAWING NAME	REV
			Pro/ENGINEER    3D			<b>B</b>	<b>I</b>	-	<b>3AC6-D8</b>	<b>5</b>
						SCALE	2:1		SHEET	1 OF 1