

NOTES:

1. MATERIALS AND FINISHES:

- BODY - BRASS, NICKEL PLATING
- CONTACT - BeCu & BRASS, GOLD PLATING
- INSULATORS - PTFE
- HEX NUT - BRASS, NICKEL PLATING
- LOCK WASHER - BRASS, NICKEL PLATING
- O-RING - SILICONE RUBBER
- FERRULE - BRASS, NICKEL PLATING
- HEAT SHRINK TUBING - CROSSLINKED POLYOLEFIN

2. ELECTRICAL:

- A. IMPEDANCE: 50 OHM
- B. FREQUENCY RANGE: DC - 6 GHz
- C. DIELECTRIC WITHSTANDING VOLTAGE: 1000 VRMS, MIN.

3. MECHANICAL:

- A. DURABILITY: 500 CYCLES MIN.
- B. TEMPERATURE RANGE: -55° C TO +85° C

4. PACKAGING:

- A. QUANTITY: SINGLE PACK
- B. MARKING: BAG TO BE MARKED "AMPHENOLRF, 82-6512, AND DATE CODE"

5. RECOMMENDED CABLE ASSEMBLY INSTRUCTIONS:

- A. TRIM CABLE AS SHOWN.
- B. SLIDE HEAT SHRINK TUBING, FERRULE AND INSULATOR DISC ONTO CABLE.
- C. SOLDER CABLE CENTER CONDUCTOR TO CONTACT.
- D. INSERT CABLE WITH FOIL ENTERING CONNECTOR AND BRAID OVER KNURL.
- E. CRIMP FERRULE OVER BRAID WITH 0.429" HEX DIE
- F. APPLY HEAT SHRINK TUBING OVER FERRULE.

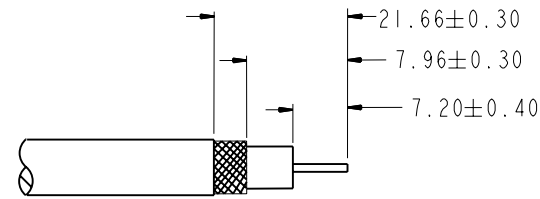
6. RECOMMENDED TORQUE APPLIED ON HEX NUT : 7-10 IN-LBS

7. SHOWS CABLE ENTRY DIMENSIONS.

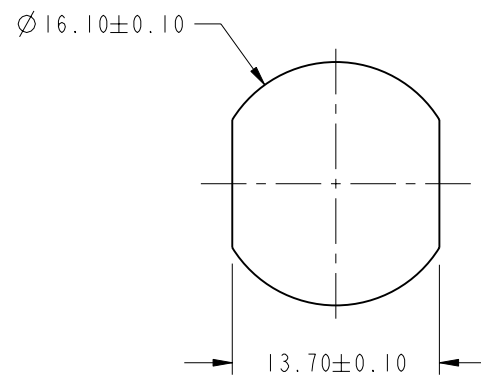
THIRD ANGLE PROJ.

REVISIONS

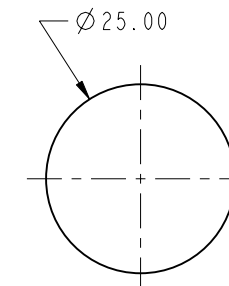
REV	DESCRIPTION	DATE	ECO	APPR
A	RELEASE TO MFG.	05-Feb-13	49027	DD
B	ADD ARC LOGO TO BODY AND AMPHENOL RF TO HST VRD-DMI3082201J8	30-Aug-13	49619	RLB
C	MODIFIED CONTACT VRD-DMI408260IM3	30-Sep-14		SH
D	CRIMP WAS 0.532"	12-Feb-15	50404	JN



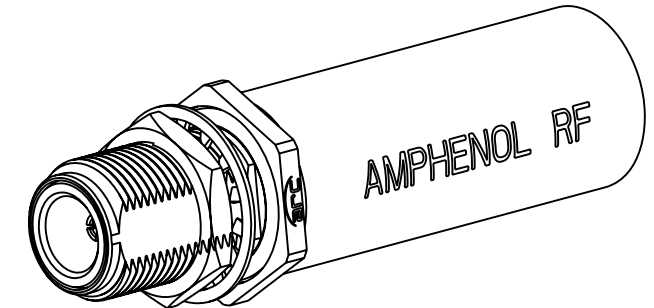
RECOMMENDED CABLE STRIPPING



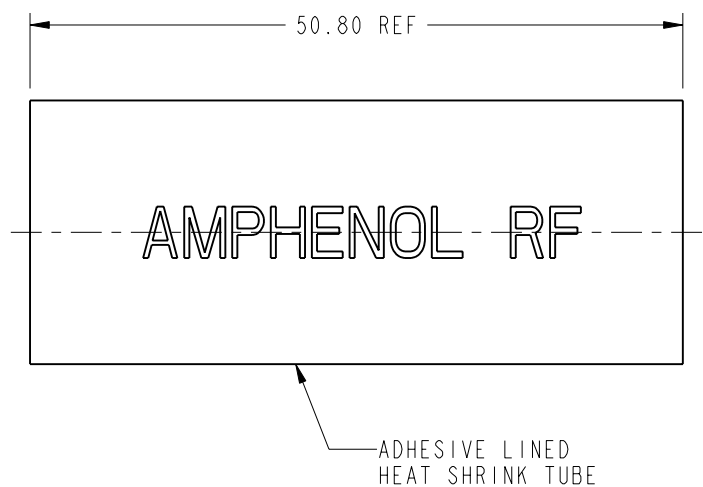
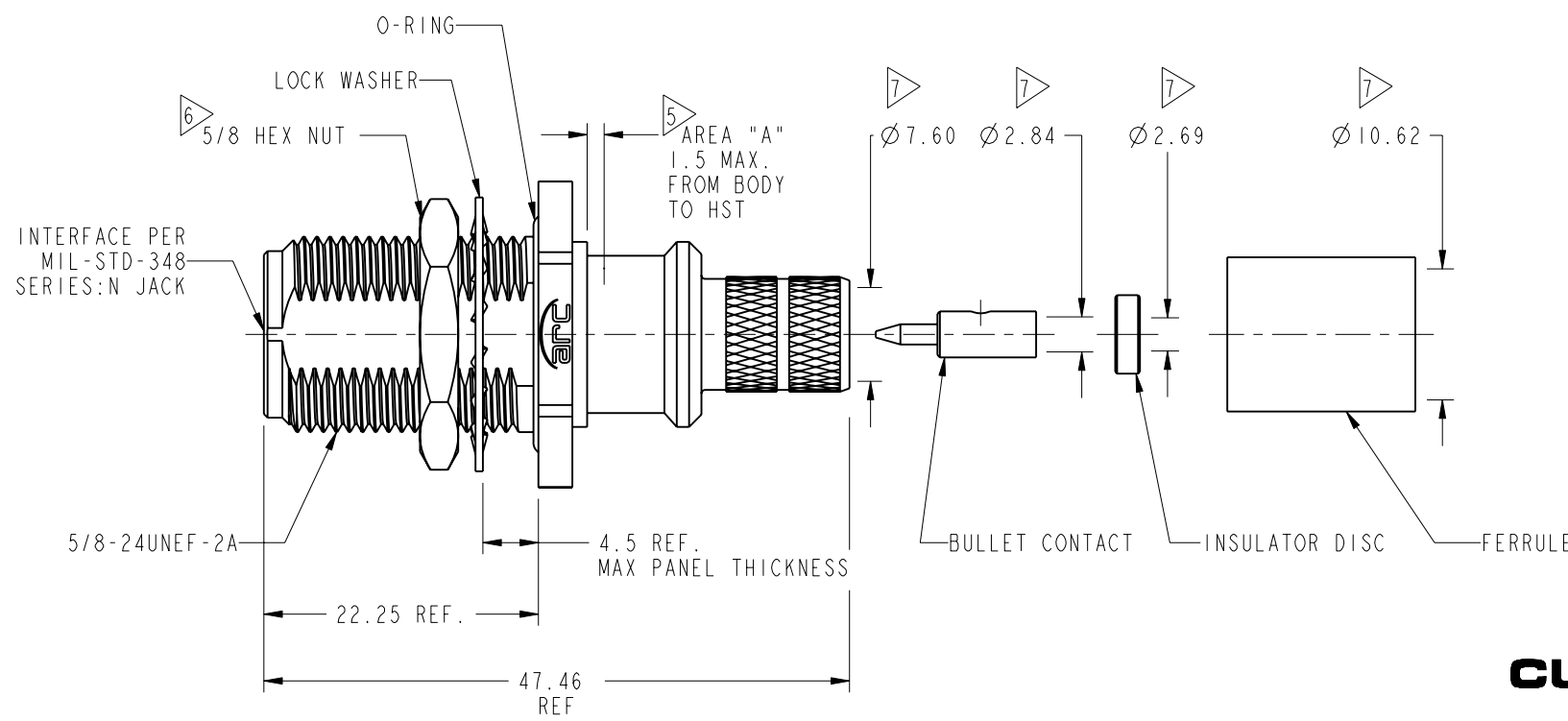
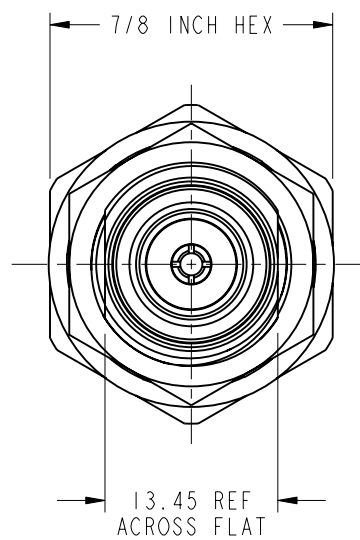
RECOMMENDED MOUNTING HOLE DIMENSIONS



SCALE 1.000  
MIN PASS THRU DIAMETER



SCALE 1.200



**CUSTOMER OUTLINE DRAWING**

ALL OTHER SHEETS ARE FOR INTERNAL USE ONLY

<p>UNLESS OTHERWISE SPECIFIED, DIMENSIONS ARE IN METRIC AND TOLERANCES ARE:                  &lt;0.5mm ±0.05mm    0.5 - 6mm ±0.1mm    6 - 30mm ±0.2mm    30 - 120mm ±0.3mm    ANGLES ±1°</p> <p>NOTICE - These drawings, specifications, or other data (1) are, and remain the property of Amphenol corp. (2) must be returned upon request; and (3) are confidential and not to be disclosed to any person other than those to whom they are given by Amphenol Corp. the furnishing of these drawings, specifications, or other data by Amphenol Corp., or to any other person to anyone for any purpose is not to be regarded by implication or otherwise in any manner licensing, granting rights to permitting such holder or any other person to manufacture, use or sell any product, process or design, patented or otherwise, that may in any way be related to or disclosed by said drawings, specifications, or other data.</p>	MATERIAL	DRAWN	DATE	<p>TITLE N, JACK STR BHD IP-67 FOR LMR-400 CABLE</p>		<p>Amphenol RF www.amphenolrf.com</p>
	SEE NOTES	S. DUAN	06-Mar-15			
REFERENCE	APPROVED	DATE	<p>SCALE: 1.7:1.0    SHEET 2 OF 2</p>		DRAWING NO. 82-6512	
CONFIGURATION LEVEL: In Work	S. HSIEH	09-Mar-15			ITEM NO. 82-6512	
FINISH	CAD FILE	DWG SIZE	REV	B	D	PART NO. 82-6512