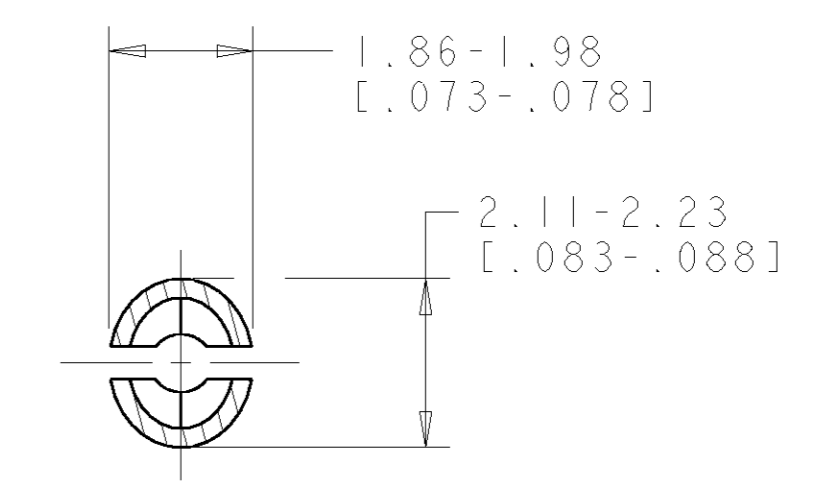
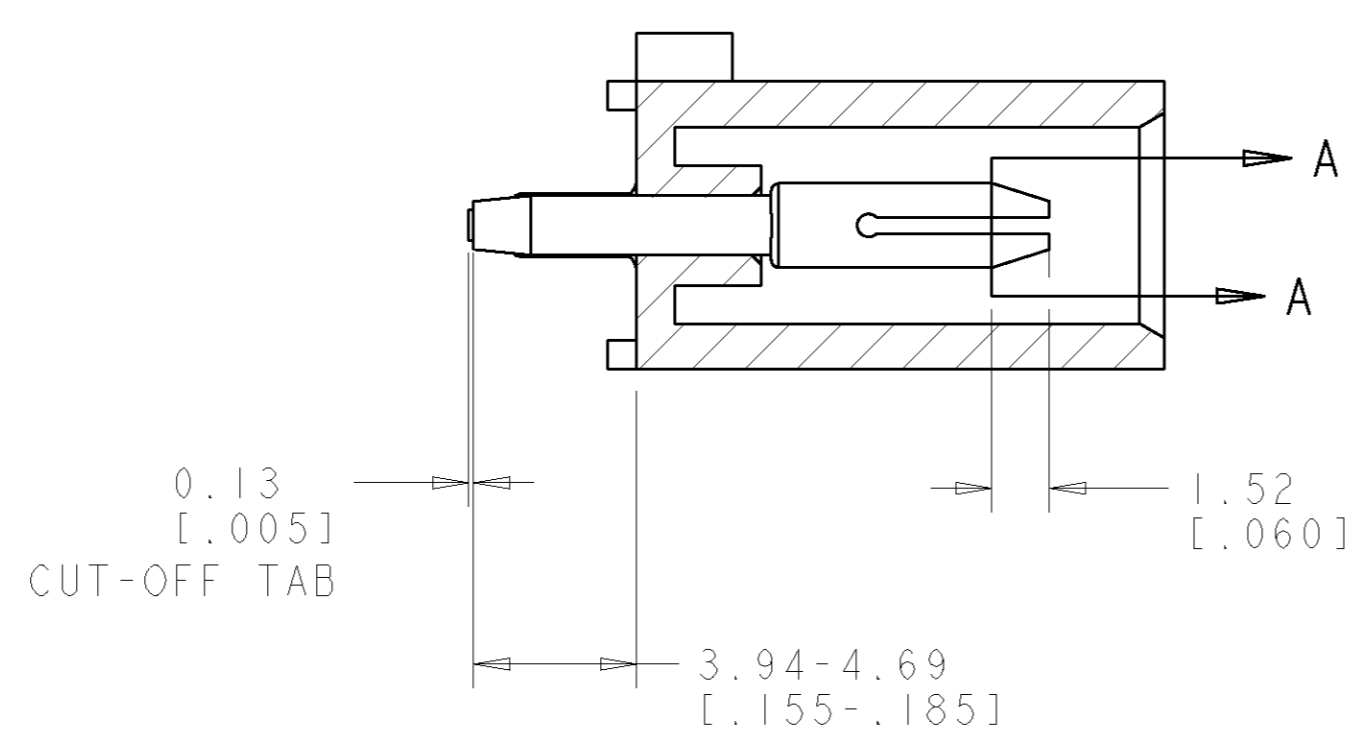
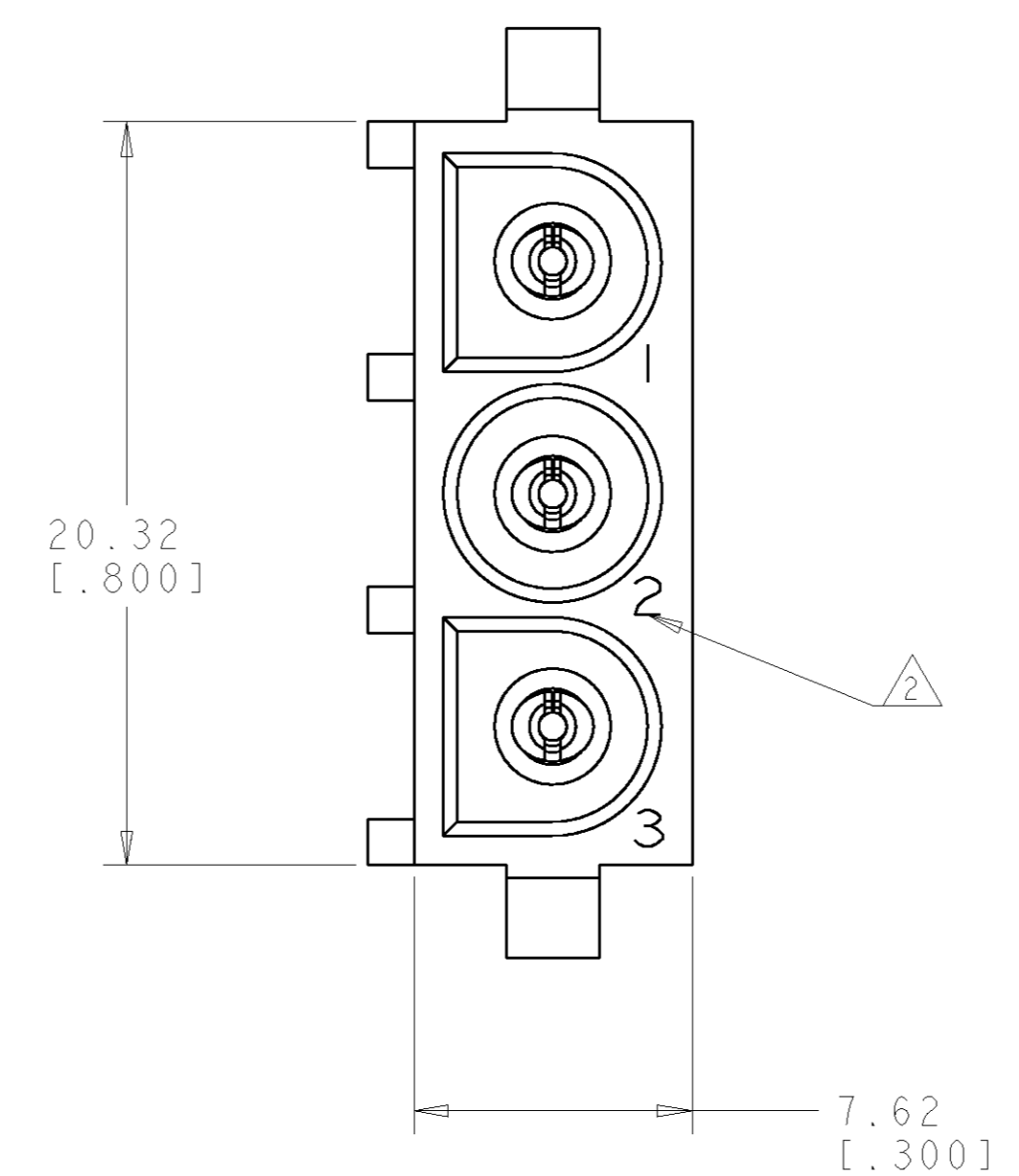
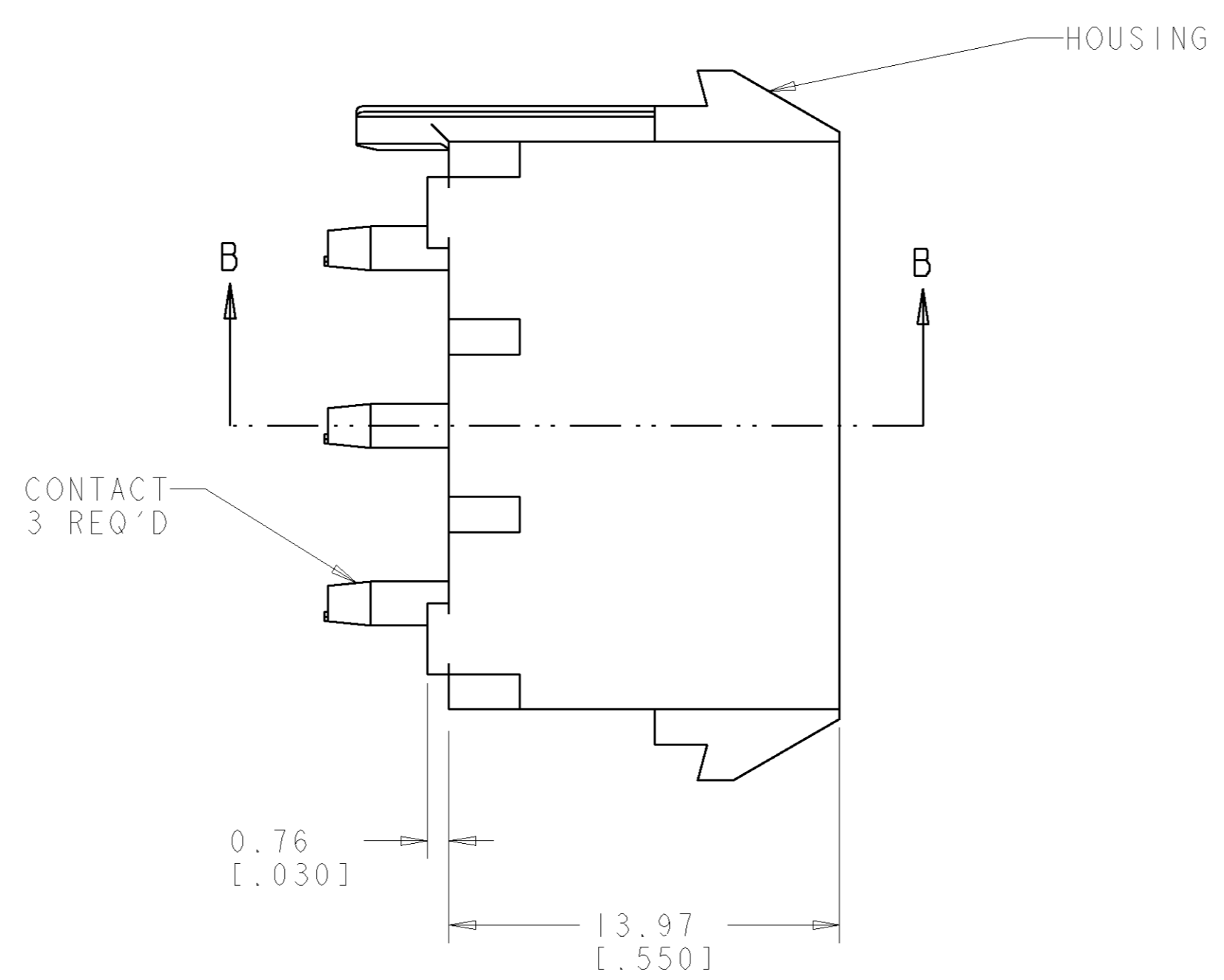
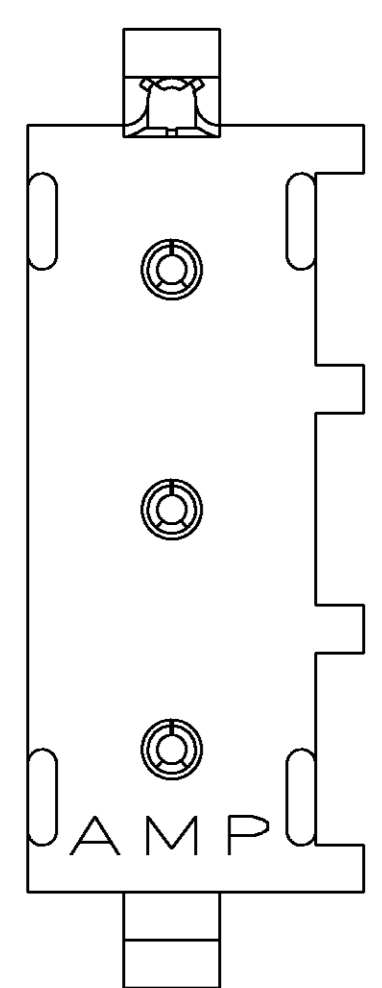
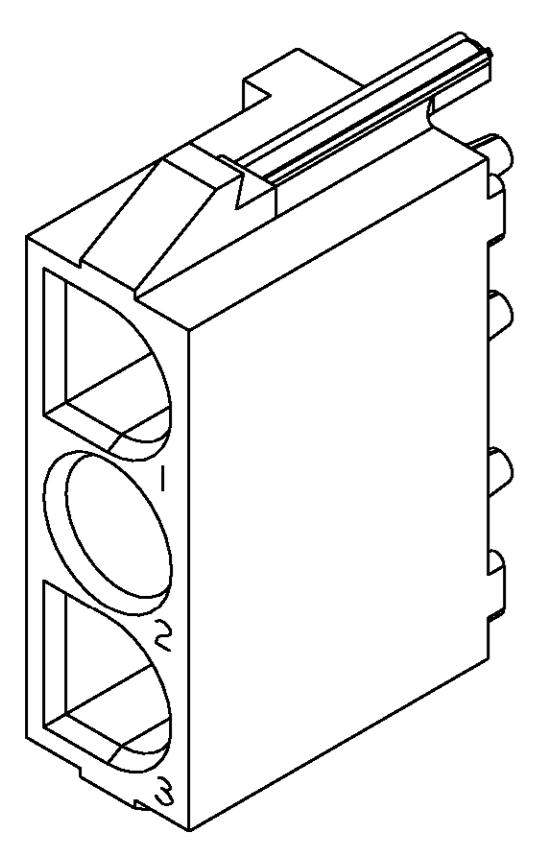


LOC		DIST		REVISIONS			
CM	00	P	LTR	DESCRIPTION	DATE	DWN	APVD
		0		REVISED PER 0638-0439-03	22-NOV-03	KW	SR

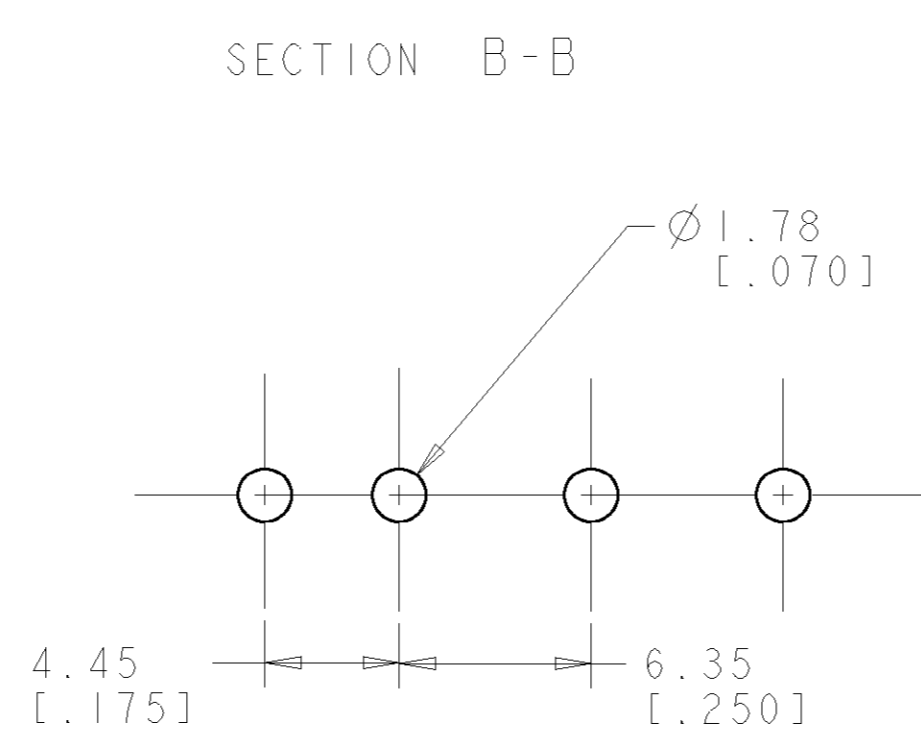
- PARTS COMPLY TO AMP SOLDERABILITY SPECIFICATION 109-11-3.
- CIRCUIT IDENTIFICATION CHARACTERS ARE ADJACENT TO THE INDICATED CAVITIES, BUT LOCATION AND ORIENTATION MAY DIFFER FROM PRINT.
- DIMENSIONS IN BRACKETS ARE IN INCHES.



SECTION A-A
SCALE 10:1



3 DIMENSIONAL MODEL
SCALE 4:1



RECOMMENDED MOUNTING HOLE PATTERN
FOR 1.57 [.062] THICK P.C. BOARD

PHOSPOR BRONZE, PRE-TIN PIN CONTACT MATERIAL AND FINISH	NYLON, UL94V-2, NATURAL HOUSING MATERIAL AND COLOR	1586138-1 PART NUMBER
<small>THIS DRAWING IS UNPUBLISHED. RELEASED FOR PUBLICATION BY TYCO ELECTRONICS CORPORATION. ALL RIGHTS RESERVED.</small> DIMENSIONS: mm [INCHES] TOLERANCES UNLESS OTHERWISE SPECIFIED: 9 PLC ± 2 PLC ±0.13 [.005] 3 PLC ± 4 PLC ± ANGLES 40°±30° MATERIAL SEE TABLE FINISH SEE TABLE		DWN R. WHITAKER 22-NOV-03 ENR S. RIDGILL 22-NOV-03 APVD S. RIDGILL 22-NOV-03 PRODUCT SPEC APPLICATION SPEC WEIGHT CUSTOMER DRAWING
Tyco Electronics Harrisburg, PA 17105-3608 NAME: PIN HEADER ASSEMBLY, POLARIZED, 3 CIRCUIT, W/O DRAIN HOLES, UNIVERSAL MATE-N-LOK™ SIZE: A1 CAGE CODE: 00779 DRAWING NO: 1586138 RESTRICTED TO:		SCALE: 5:1 SHEET: 1 OF 1 REV: 0

