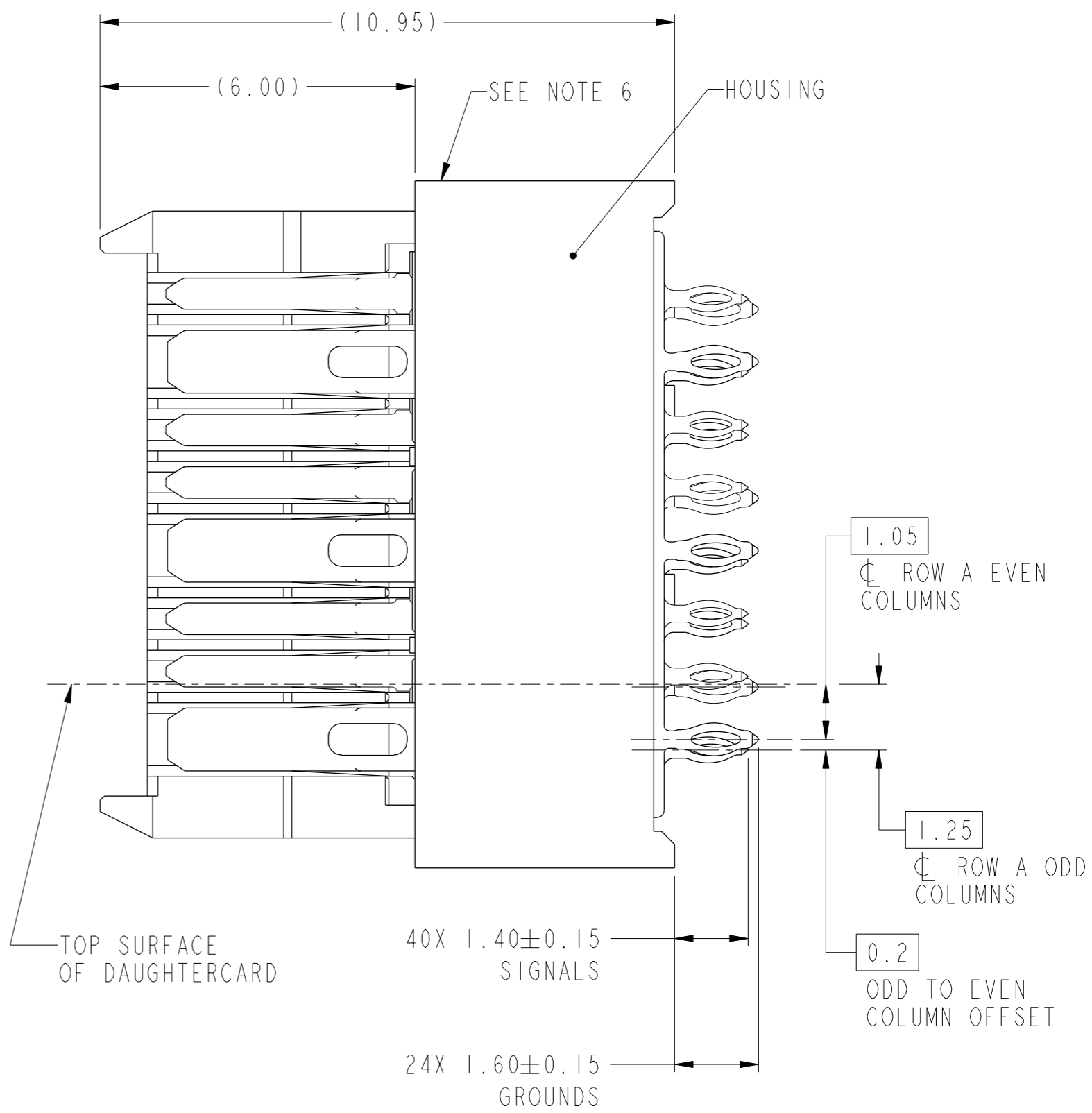
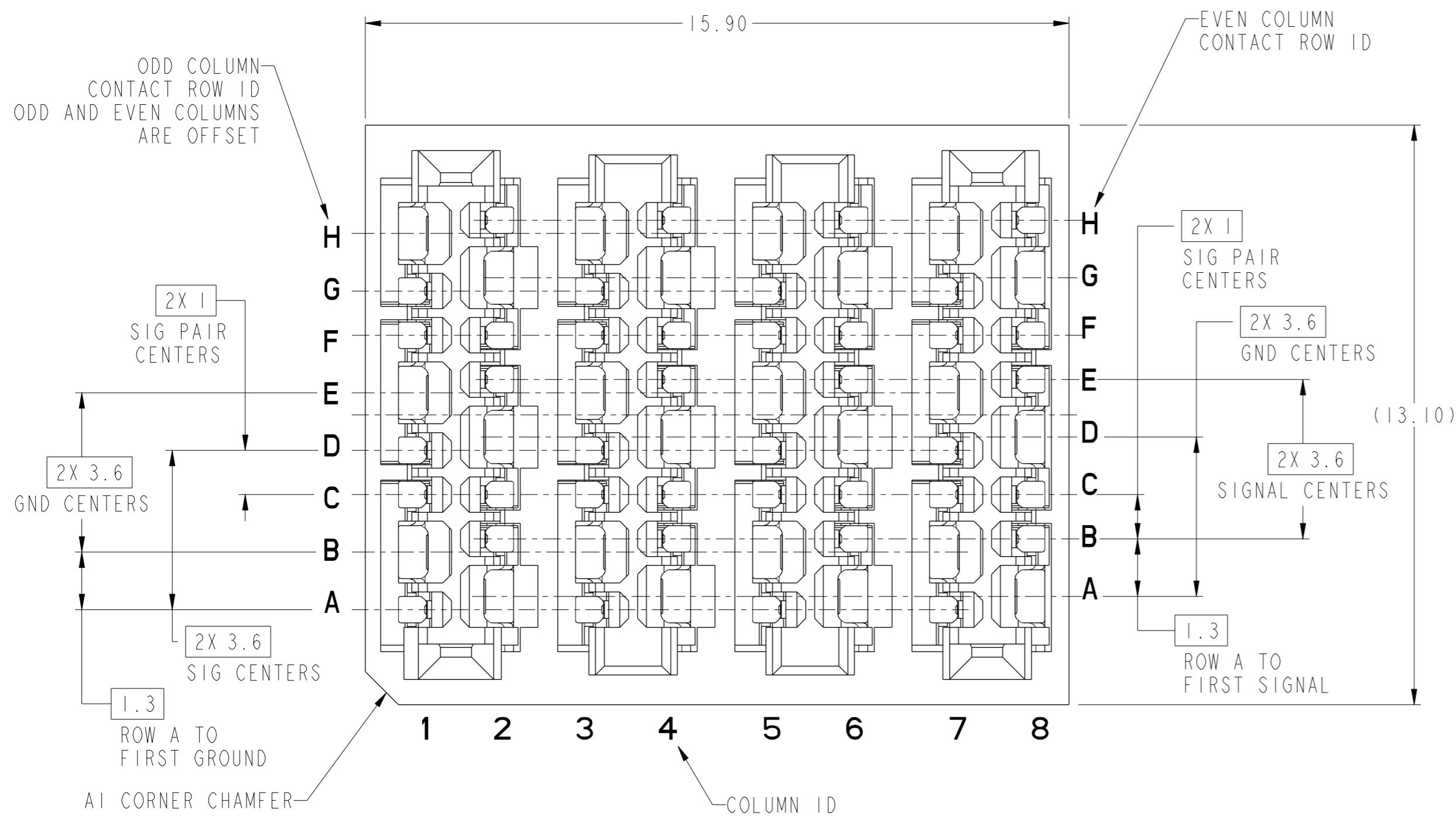


PRODUCT NUMBER
SEE SHEET 16



10124412-Y01LF
(10124412-101LF STANDARD MATE CONNECTOR SHOWN)

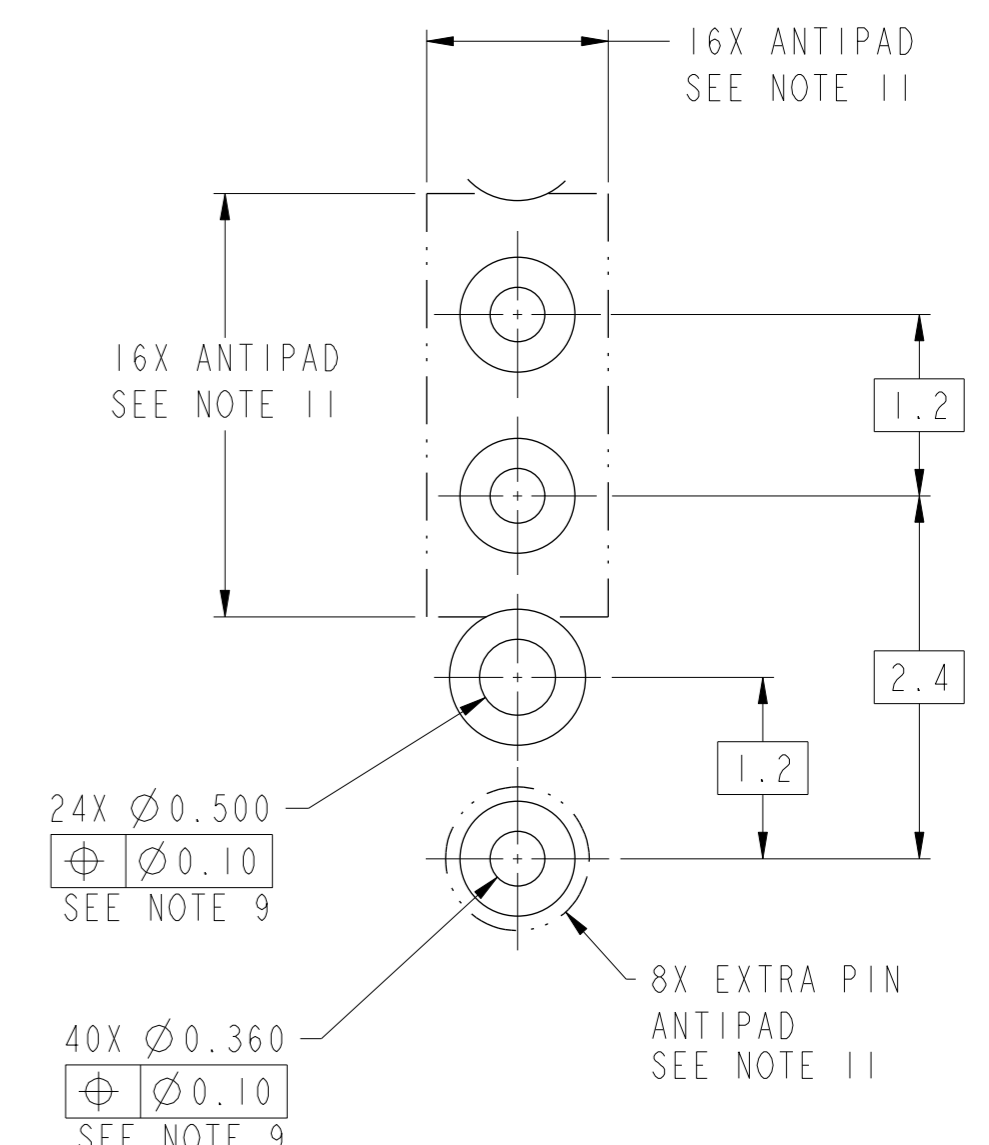
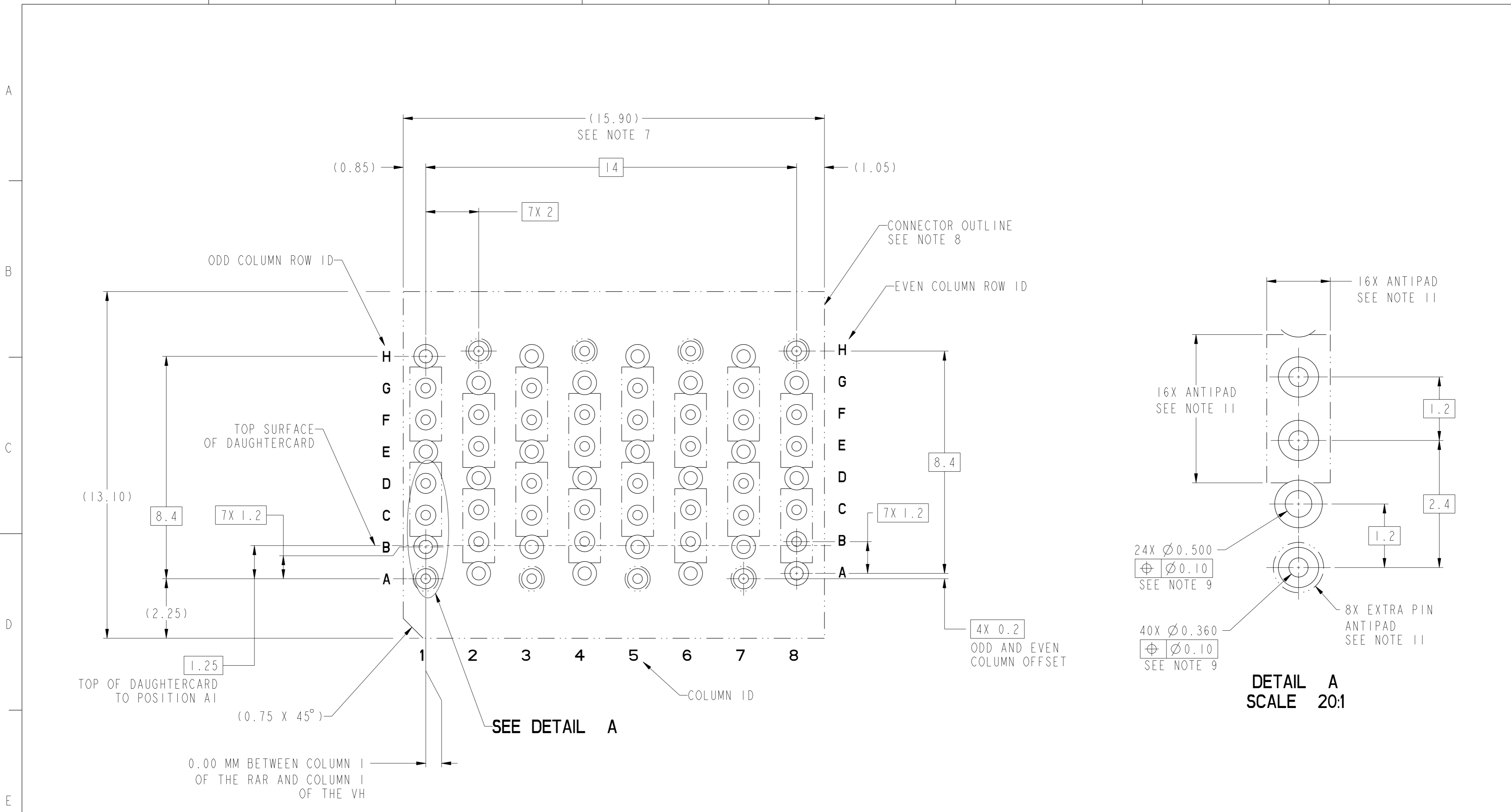
Copyright FCI.

spec ref	SEE NOTES	dr	Mark Gray	20130220	projection	MM	size	A2	scale	10:1												
tolerance std	TOLERANCES UNLESS OTHERWISE SPECIFIED	eng	Terry Luo	20150514			ecn no	-	rel level	Released												
ASME Y14.5M		chr	Martin Li	20150514																		
surface	<table border="1"> <tr> <td>linear</td> <td>0.X</td> <td>±.3</td> </tr> <tr> <td></td> <td>0.XX</td> <td>±.10</td> </tr> <tr> <td></td> <td>0.XXX</td> <td>±.050</td> </tr> <tr> <td>angular</td> <td>0°</td> <td>±2°</td> </tr> </table>	linear	0.X	±.3		0.XX	±.10		0.XXX	±.050	angular	0°	±2°	appr	Collins Lu	20150514	product family	ExaMAX	rel level	Released	rev	A
linear	0.X	±.3																				
	0.XX	±.10																				
	0.XXX	±.050																				
angular	0°	±2°																				
		ExaMAX VERTICAL HEADER ASS'Y, 2 PAIR, 64 POS, 8 IMLA		cat. no.	SEE TABLE	Product - Customer Drw	sheet 1 of 17															

PDS: Rev :A

STATUS:Released

Printed: May 15, 2015



**RECOMMENDED PCB LAYOUT FOR
10124412-Y01LF COMPONENT SIDE
SEE NOTES 7, 8, 9, & 11**

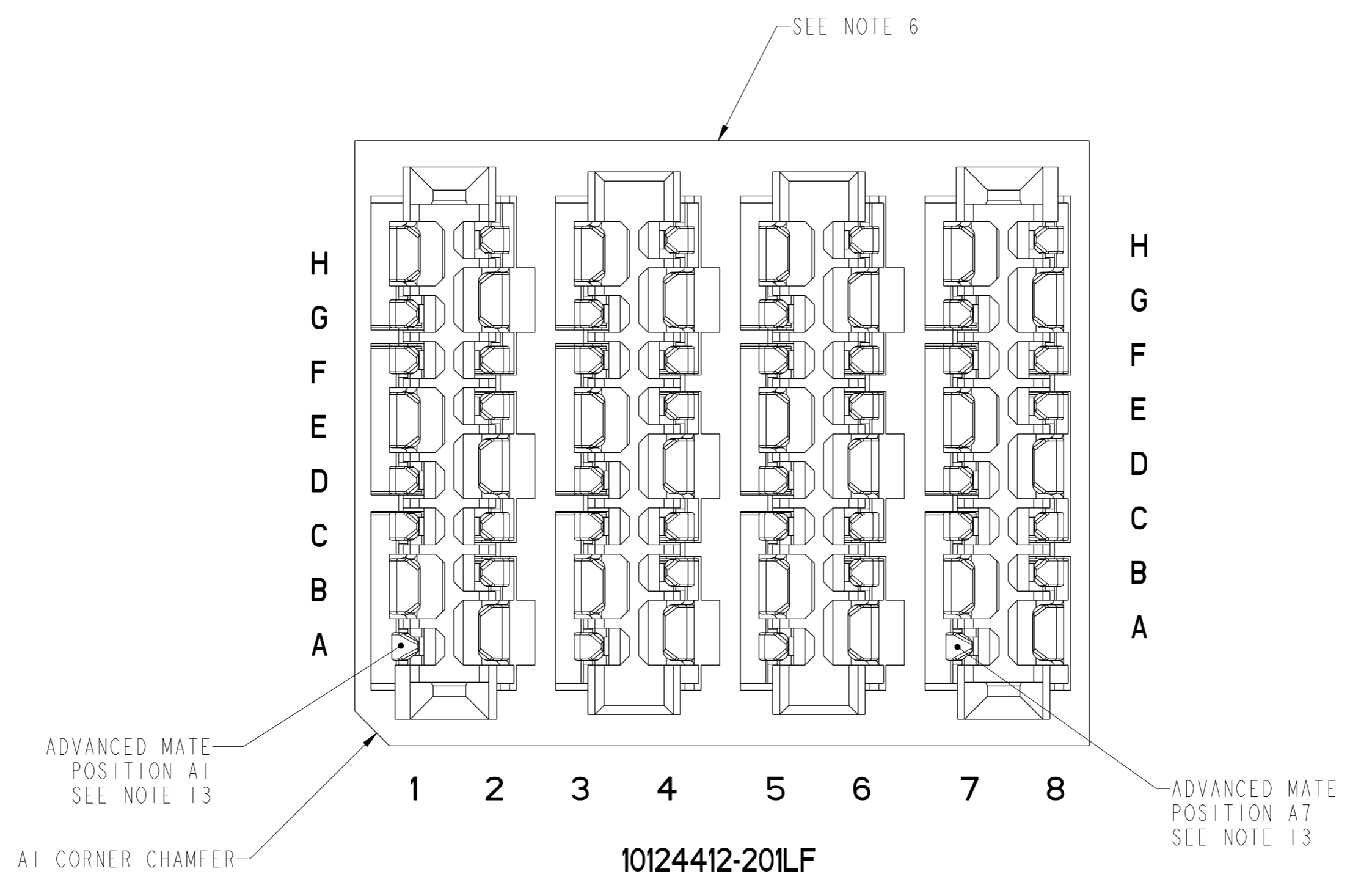
Copyright FCI.
FCI

spec ref	SEE NOTES	dr	Mark Gray	20130220	projection	MM	size	A2	scale	5:1												
tolerance std	TOLERANCES UNLESS OTHERWISE SPECIFIED	eng	Terry Luo	20150514			ecn no	-	rel level	Released												
ASME Y14.5M		chr	Martin Li	20150514																		
surface	<table border="1"> <tr> <td>linear</td> <td>0.X</td> <td>±.3</td> </tr> <tr> <td></td> <td>0.XX</td> <td>±.10</td> </tr> <tr> <td></td> <td>0.XXX</td> <td>±.050</td> </tr> <tr> <td>angular</td> <td>0°</td> <td>±2°</td> </tr> </table>	linear	0.X	±.3		0.XX	±.10		0.XXX	±.050	angular	0°	±2°	appr	Collins Lu	20150514	product family	ExaMAX	diag no	10124412	rev	A
linear	0.X	±.3																				
	0.XX	±.10																				
	0.XXX	±.050																				
angular	0°	±2°																				
				ExaMAX VERTICAL HEADER ASS'Y, 2 PAIR, 64 POS, 8 IMLA		cat. no. SEE TABLE		Product - Customer Drw		sheet 2 of 17												

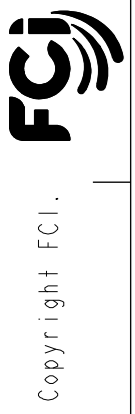
PDS: Rev :A

STATUS:Released

Printed: May 15, 2015



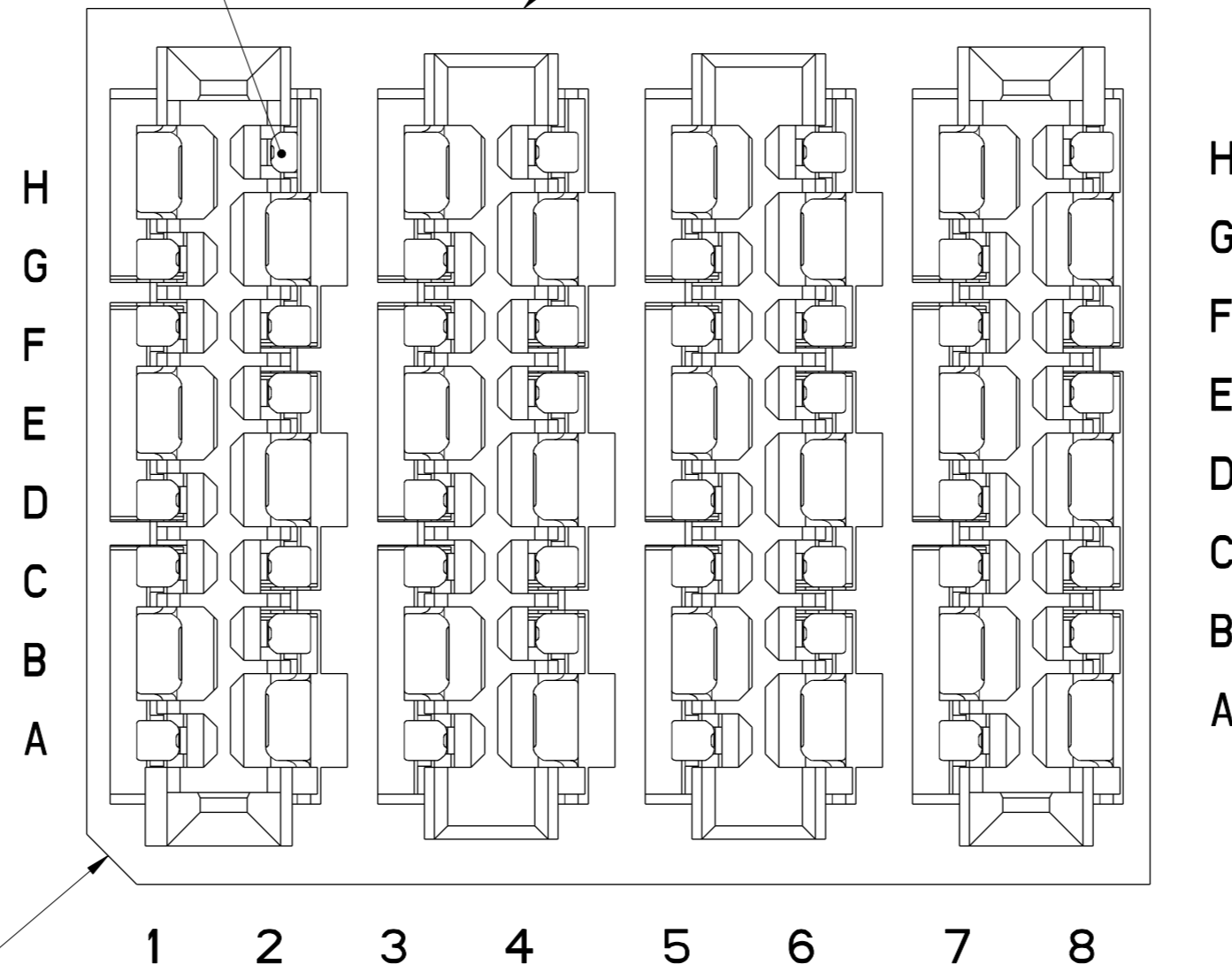
10124412-201LF
ADVANCED MATE CONNECTOR
ADVANCED MATE POSITIONS ARE POSITIONS A1 AND A7 ONLY
FOR ALL OTHER DIMENSIONS SEE SHEETS 1 & 2



spec ref	SEE NOTES	dr	Mark Gray	201302/20	projection	MM	size	A2	scale	5:1												
tolerance std	ASME Y14.5M	eng	Terry Luo	201505/14			ecn no	-														
TOLERANCES UNLESS OTHERWISE SPECIFIED		chr	Martin Li	201505/14			rel level	Released														
surface	<table border="1"> <tr> <td>linear</td> <td>0.X</td> <td>±.3</td> </tr> <tr> <td></td> <td>0.XX</td> <td>±.10</td> </tr> <tr> <td></td> <td>0.XXX</td> <td>±.050</td> </tr> <tr> <td>angular</td> <td>0°</td> <td>±2°</td> </tr> </table>	linear	0.X	±.3		0.XX	±.10		0.XXX	±.050	angular	0°	±2°	appr	Collins Lu	201505/14	product family	ExaMAX	cat. no.	10124412	rev	A
linear	0.X	±.3																				
	0.XX	±.10																				
	0.XXX	±.050																				
angular	0°	±2°																				
				title ExaMAX VERTICAL HEADER ASS'Y, 2 PAIR, 64 POS, 8 IMLA		www.fci.com		SEE TABLE		Product - Customer Drw	sheet 3 of 17											

SHORT DETECT
POSITION H2
SEE NOTE 14

SEE NOTE 6



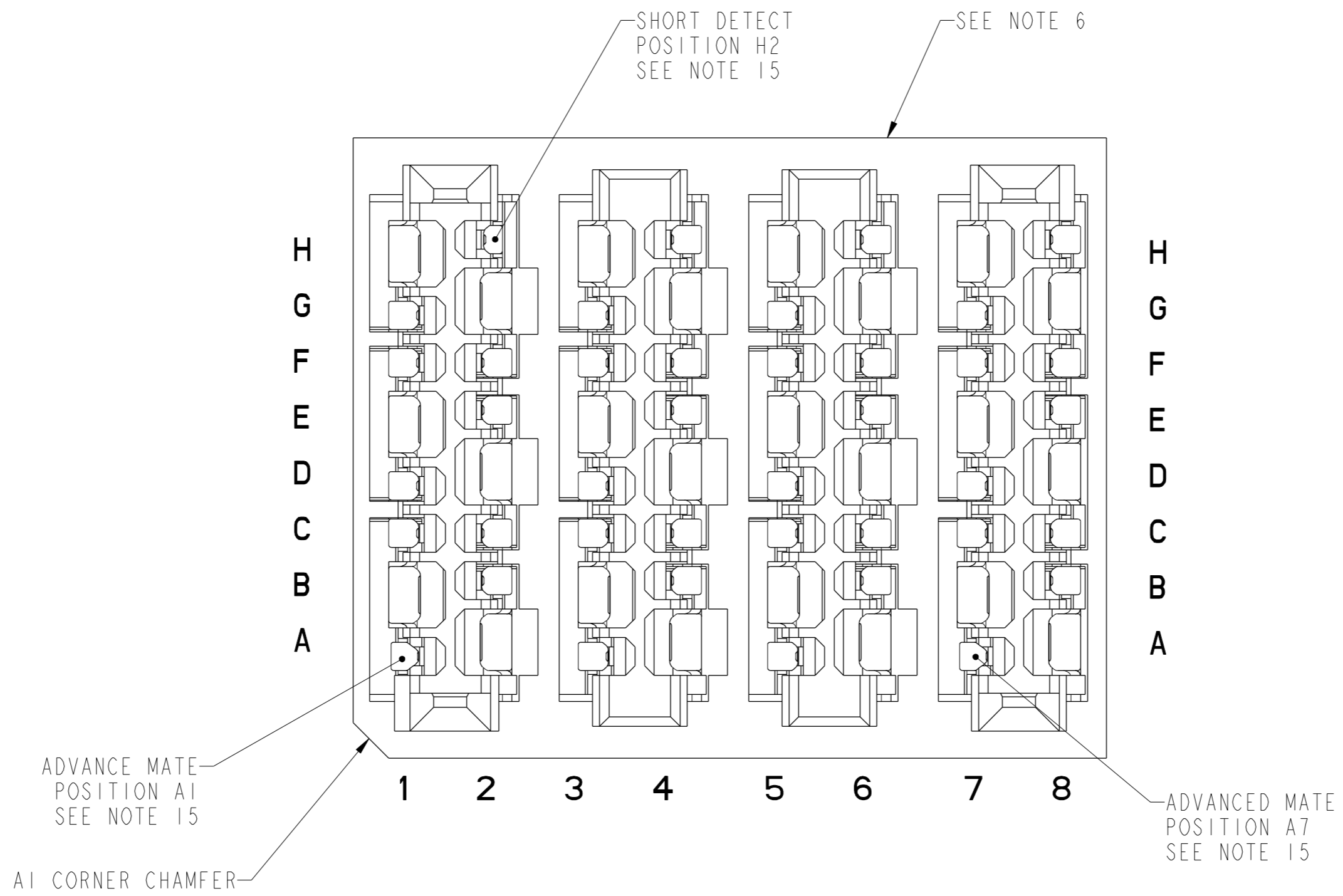
A1 CORNER CHAMFER

10124412-301LF
SHORT DETECT CONNECTOR
SHORT DETECT POSITION IS H2 ONLY
FOR ALL OTHER DIMENSIONS SEE SHEETS 1 & 2

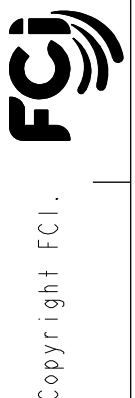


Copyright FCI.

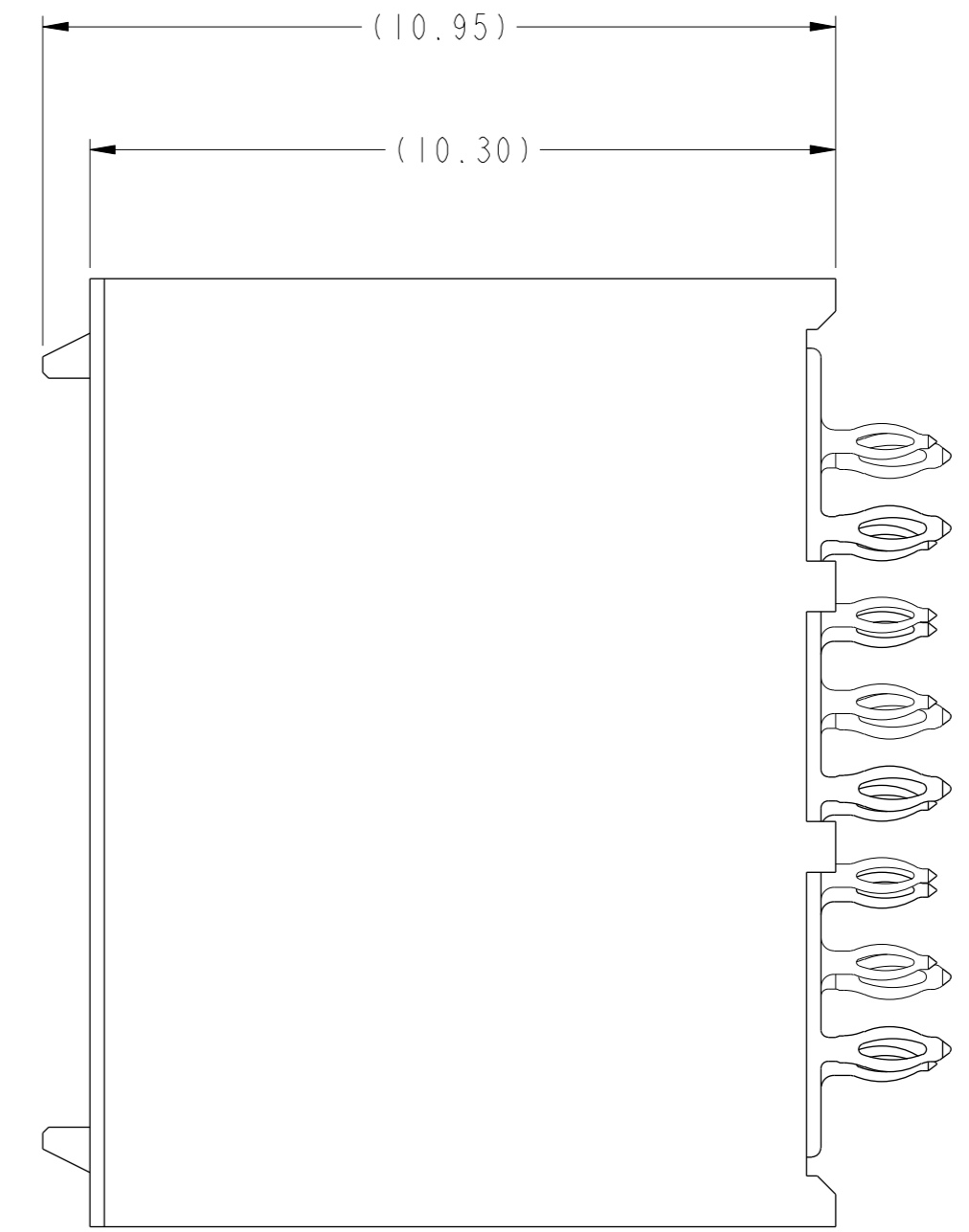
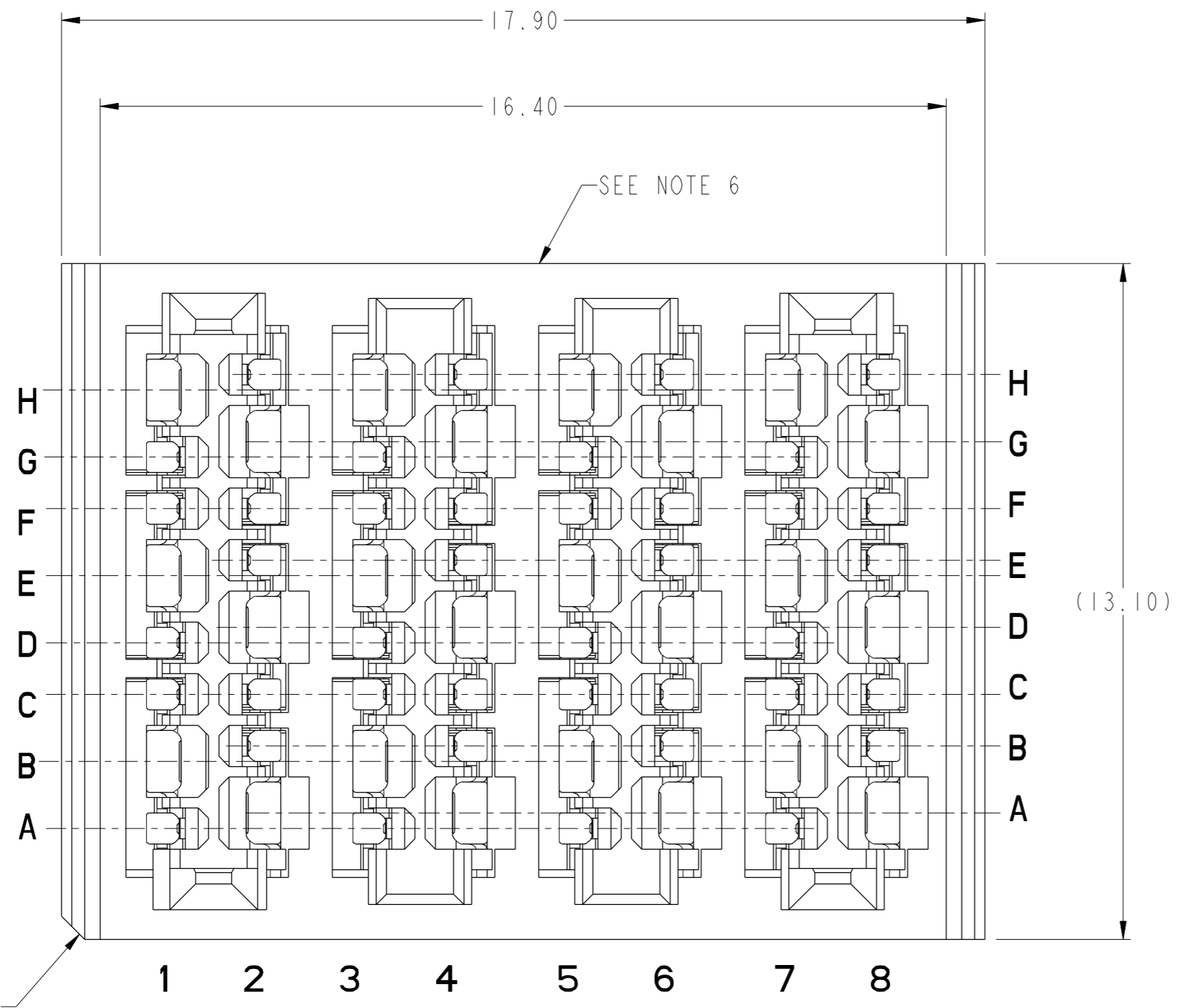
spec ref	SEE NOTES	dr	Mark Gray	2013/02/20	projection	MM	size	A2	scale	5:1	
tolerance std	TOLERANCES UNLESS OTHERWISE SPECIFIED	eng	Terry Luo	2015/05/14		← MM →	ecn no	-	rel level	Released	
ASME Y14.5M		chr	Martin Li	2015/05/14							
surface	✓	linear	0.X	±.3	product family	ExaMAX	cat. no.	SEE TABLE	Product - Customer Drw	sheet 4 of 17	
			0.XX	±.10							
			0.XXX	±.050							
		angular	0°	±2°							
		www.fci.com		TITLE		ExaMAX VERTICAL HEADER		diag no		10124412	
				ASS'Y, 2 PAIR, 64 POS, 8 IMLA		rev				A	



10124412-401LF
ADVANCED MATE/SHORT DETECT CONNECTOR
ADVANCED MATE POSITIONS ARE POSITIONS A1 AND A7 ONLY
SHORT DETECT POSITION IS H2 ONLY
FOR ALL OTHER DIMENSIONS SEE SHEETS 1 & 2



spec ref	SEE NOTES	dr	Mark Gray	201302/20	projection	MM	size	A2	scale	2:1												
tolerance std	TOLERANCES UNLESS OTHERWISE SPECIFIED	eng	Terry Luo	201505/14			ecn no	-	rel level	Released												
ASME Y14.5M		chr	Martin Li	201505/14																		
surface	<table border="1"> <tr> <td>linear</td> <td>0.X</td> <td>±.3</td> </tr> <tr> <td></td> <td>0.XX</td> <td>±.10</td> </tr> <tr> <td></td> <td>0.XXX</td> <td>±.050</td> </tr> <tr> <td>angular</td> <td>0°</td> <td>±2°</td> </tr> </table>	linear	0.X	±.3		0.XX	±.10		0.XXX	±.050	angular	0°	±2°	appr	Collins Lu	201505/14	product family	ExaMAX	cat. no.	10124412	rev	A
linear	0.X	±.3																				
	0.XX	±.10																				
	0.XXX	±.050																				
angular	0°	±2°																				
				title ExaMAX VERTICAL HEADER ASS'Y, 2 PAIR, 64 POS, 8 IMLA		www.fci.com		SEE TABLE		Product - Customer Drw		sheet 5 of 17										



AI CORNER CHAMFER

10124412-Y02LF (10124412-102LF SHOWN)
END WALLED CONNECTOR
FOR ALL DIMENSIONS SEE SHEET 1

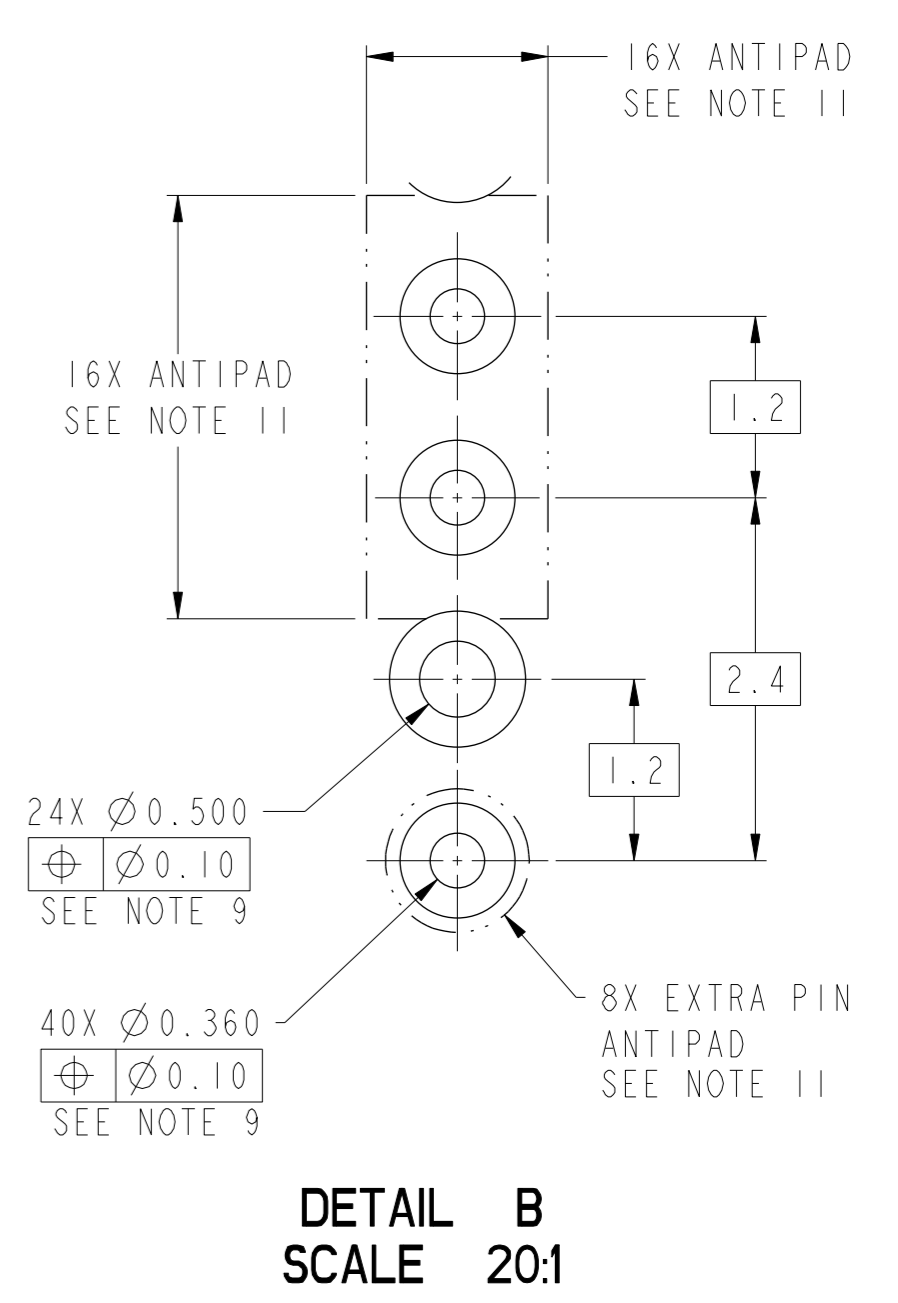
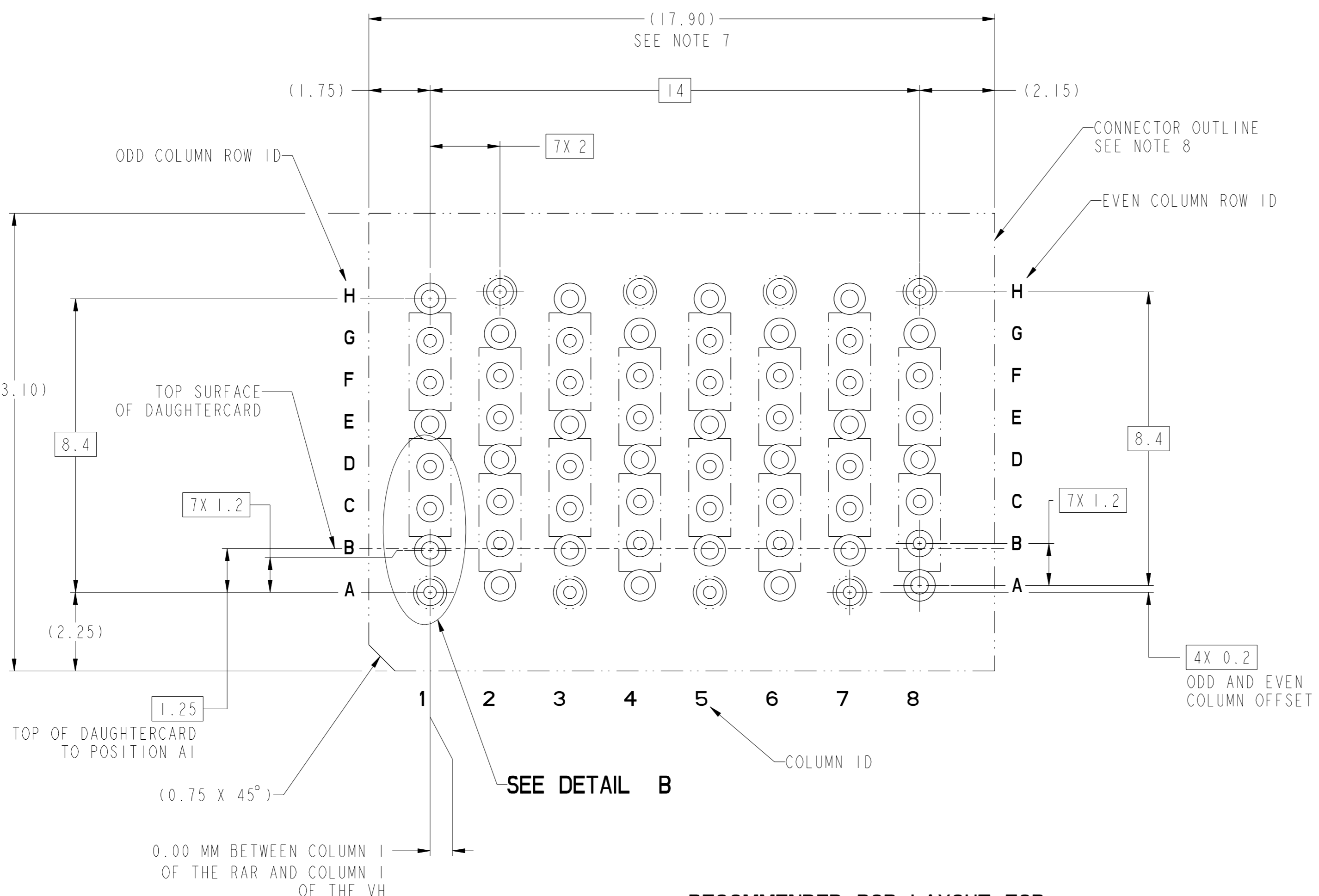
Copyright FCI.
FCI

spec ref	SEE NOTES	dr	Mark Gray	201302/20	projection	MM	size	A2	scale	2:1												
tolerance std	TOLERANCES UNLESS OTHERWISE SPECIFIED	eng	Terry Luo	201505/14			ecn no	-	rel level	Released												
ASME Y14.5M		chr	Martin Li	201505/14																		
surface	<table border="1"> <tr> <td>linear</td> <td>0.X</td> <td>±.3</td> </tr> <tr> <td></td> <td>0.XX</td> <td>±.10</td> </tr> <tr> <td></td> <td>0.XXX</td> <td>±.050</td> </tr> <tr> <td>angular</td> <td>0°</td> <td>±2°</td> </tr> </table>	linear	0.X	±.3		0.XX	±.10		0.XXX	±.050	angular	0°	±2°	appr	Collins Lu	201505/14	product family	ExaMAX	rel level	Released	rev	A
linear	0.X	±.3																				
	0.XX	±.10																				
	0.XXX	±.050																				
angular	0°	±2°																				
				ExaMAX VERTICAL HEADER ASS'Y, 2 PAIR, 64 POS, 8 IMLA		cat. no.	10124412	Product - Customer Drw	sheet 6 of 17													

PDS: Rev :A

STATUS:Released

Printed: May 15, 2015



**RECOMMENDED PCB LAYOUT FOR
10124412-Y02LF (END WALLED CONNECTOR) COMPONENT SIDE
SEE NOTES 7, 8, 9, & 11**

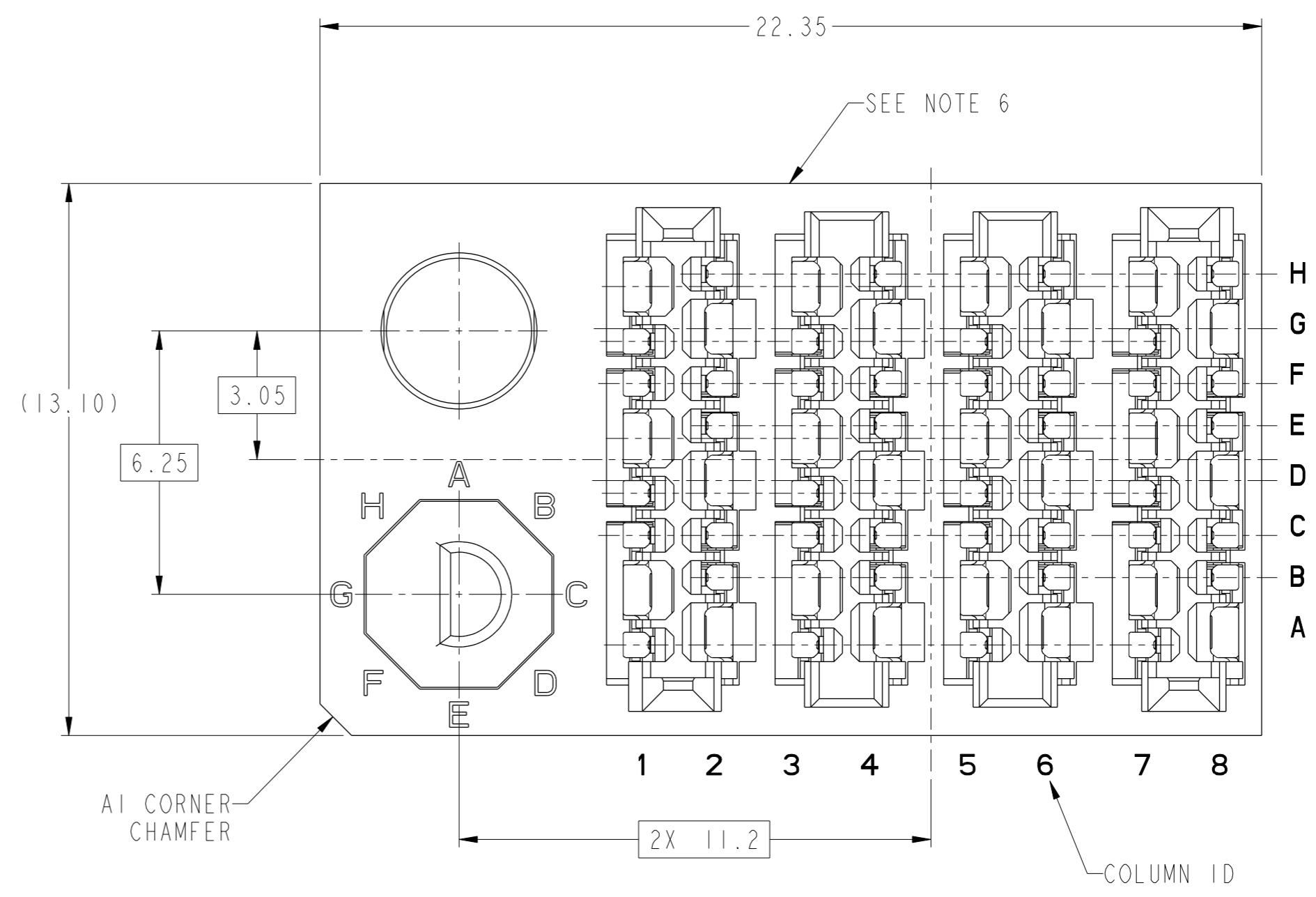
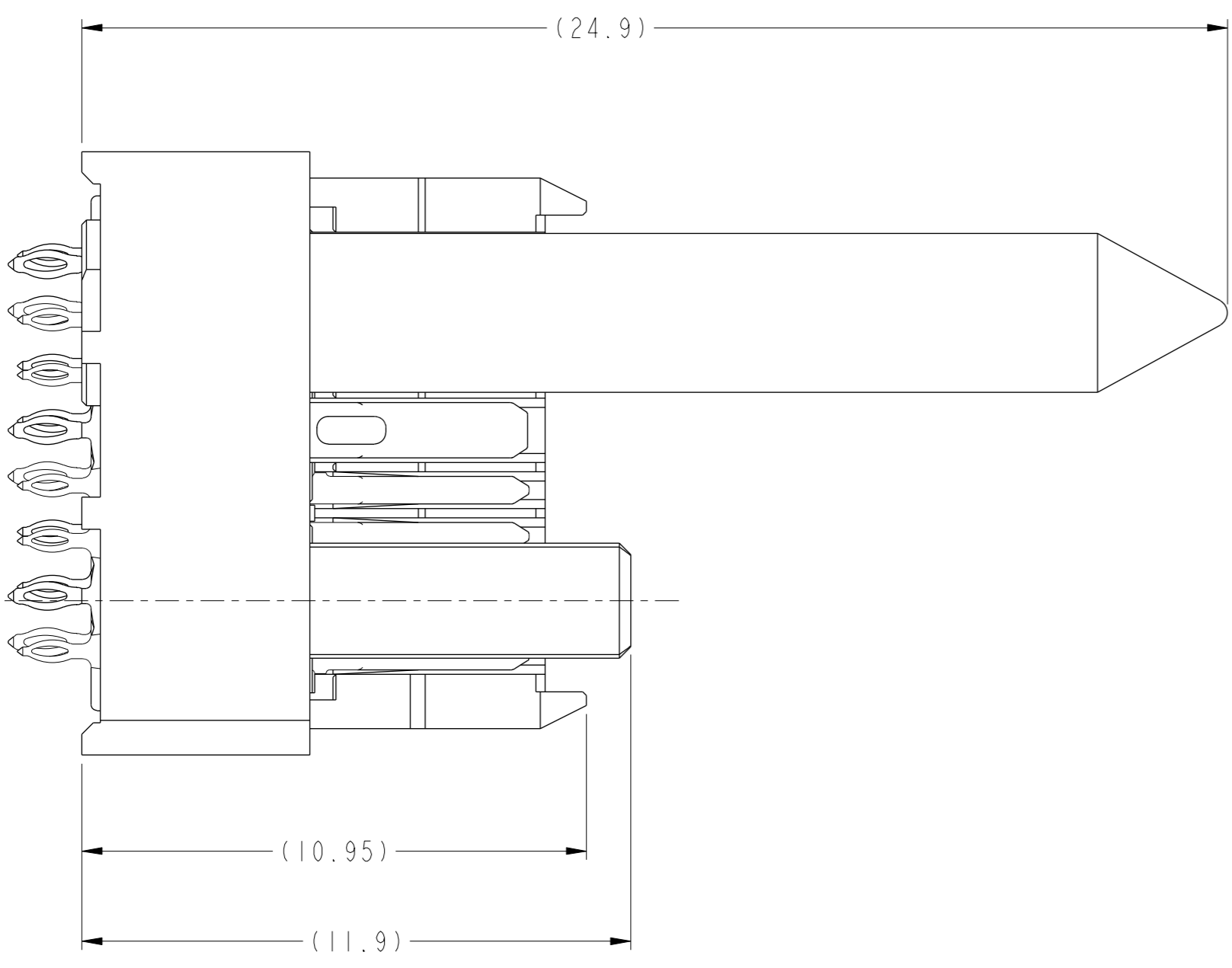
Copyright FCI.

spec ref	SEE NOTES	dr	Mark Gray	20130220	projection	MM	size	A2	scale	3:1												
tolerance std	TOLERANCES UNLESS OTHERWISE SPECIFIED	eng	Terry Luo	201505/14			ecn no	-	rel level	Released												
ASME Y14.5M		chr	Martin Li	201505/14																		
surface	<table border="1"> <tr> <td>linear</td> <td>0.X</td> <td>±.3</td> </tr> <tr> <td></td> <td>0.XX</td> <td>±.10</td> </tr> <tr> <td></td> <td>0.XXX</td> <td>±.050</td> </tr> <tr> <td>angular</td> <td>0°</td> <td>±2°</td> </tr> </table>	linear	0.X	±.3		0.XX	±.10		0.XXX	±.050	angular	0°	±2°	appr	Collins Lu	201505/14	product family	ExaMAX	diag no	10124412	rev	A
linear	0.X	±.3																				
	0.XX	±.10																				
	0.XXX	±.050																				
angular	0°	±2°																				
				ExaMAX VERTICAL HEADER ASS'Y, 2 PAIR, 64 POS, 8 IMLA		cat. no. SEE TABLE		Product - Customer Drw		sheet 7 of 17												

PDS: Rev :A

STATUS:Released

Printed: May 15, 2015



10124412-Y1ALF THRU -Y1JLF
 RIGHT GUIDANCE CONNECTOR (SEE NOTE 17)
 FOR ALL OTHER DIMENSIONS SEE SHEET 1

Copyright FCI.
FCI

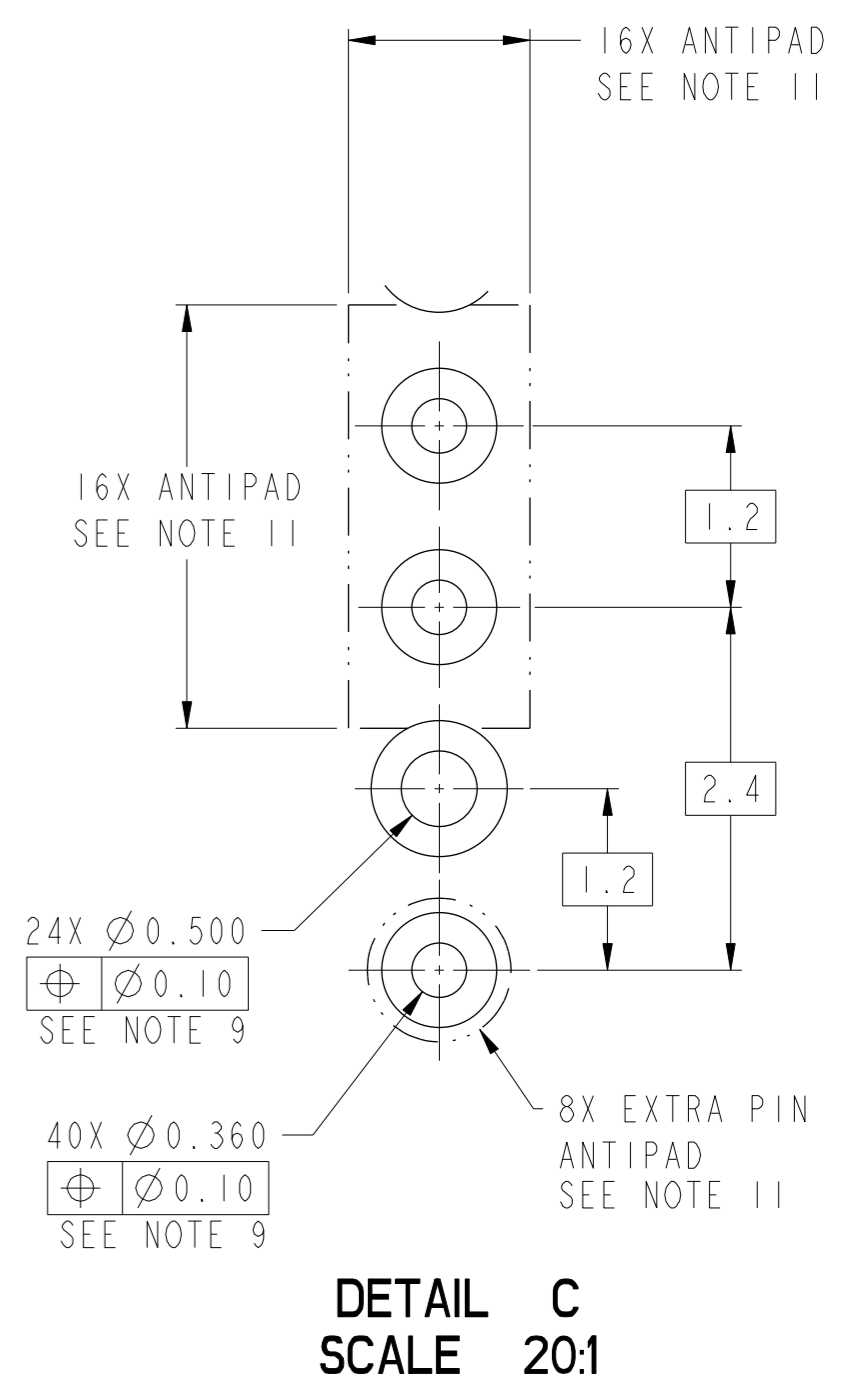
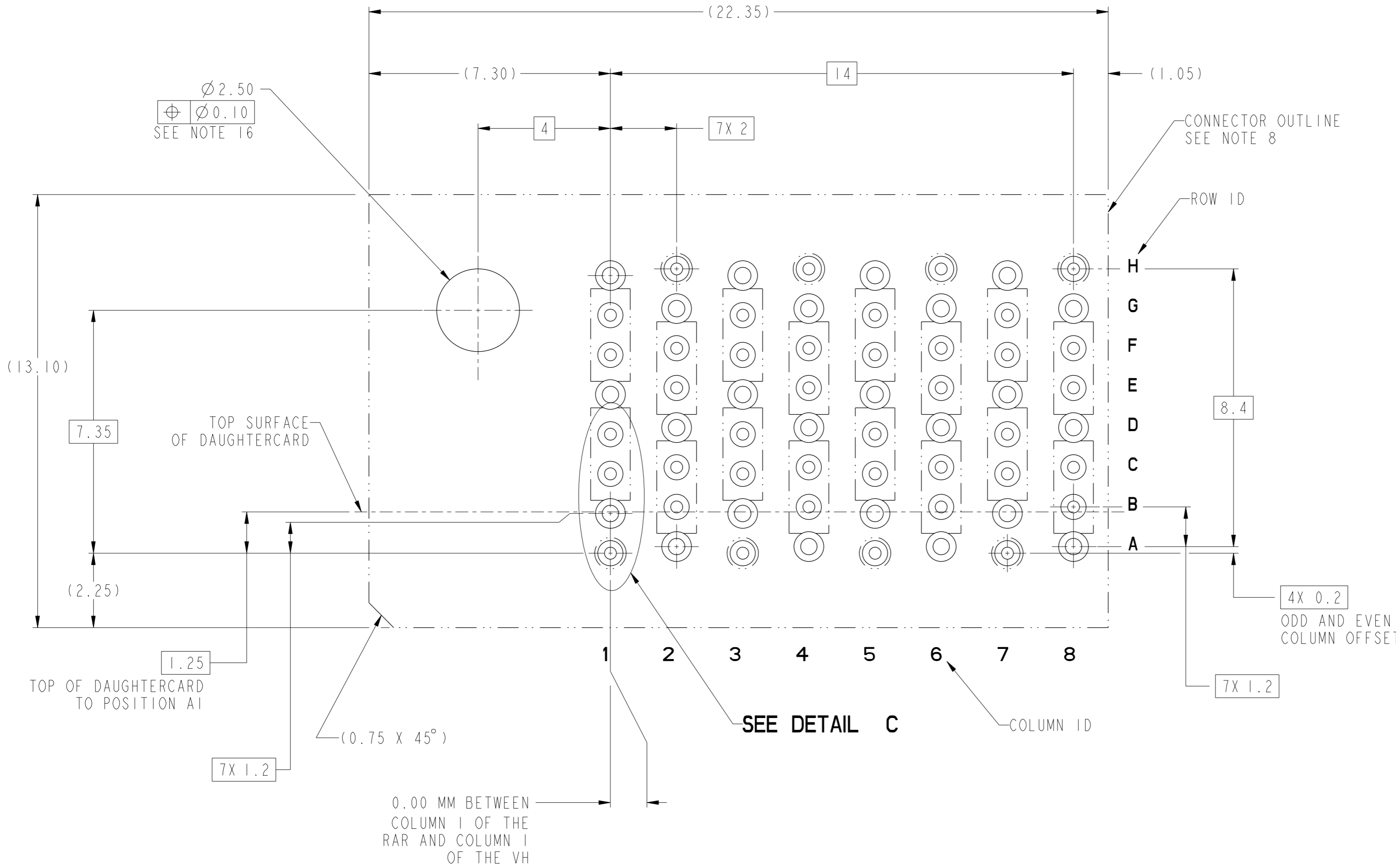
spec ref	SEE NOTES	dr	Mark Gray	20130220	projection	MM	size	A2	scale	2:1										
tolerance std	TOLERANCES UNLESS OTHERWISE SPECIFIED	eng	Terry Luo	20150514			ecn no	-	rel level	Released										
ASME Y14.5M		chr	Martin Li	20150514																
surface	<table border="1"> <tr> <td>linear</td> <td>0.X</td> <td>±.3</td> </tr> <tr> <td></td> <td>0.XX</td> <td>±.10</td> </tr> <tr> <td></td> <td>0.XXX</td> <td>±.050</td> </tr> <tr> <td>angular</td> <td>0°</td> <td>±2°</td> </tr> </table>	linear	0.X	±.3		0.XX	±.10		0.XXX	±.050	angular	0°	±2°	appr	Collins Lu	20150514	product family	ExaMAX	rel level	Released
linear	0.X	±.3																		
	0.XX	±.10																		
	0.XXX	±.050																		
angular	0°	±2°																		
				title ExaMAX VERTICAL HEADER ASS'Y, 2 PAIR, 64 POS, 8 IMLA		cat. no. 10124412		rev A												
		www.fci.com		SEE TABLE		Product - Customer Drw		sheet 8 of 17												

PDS: Rev :A

STATUS:Released

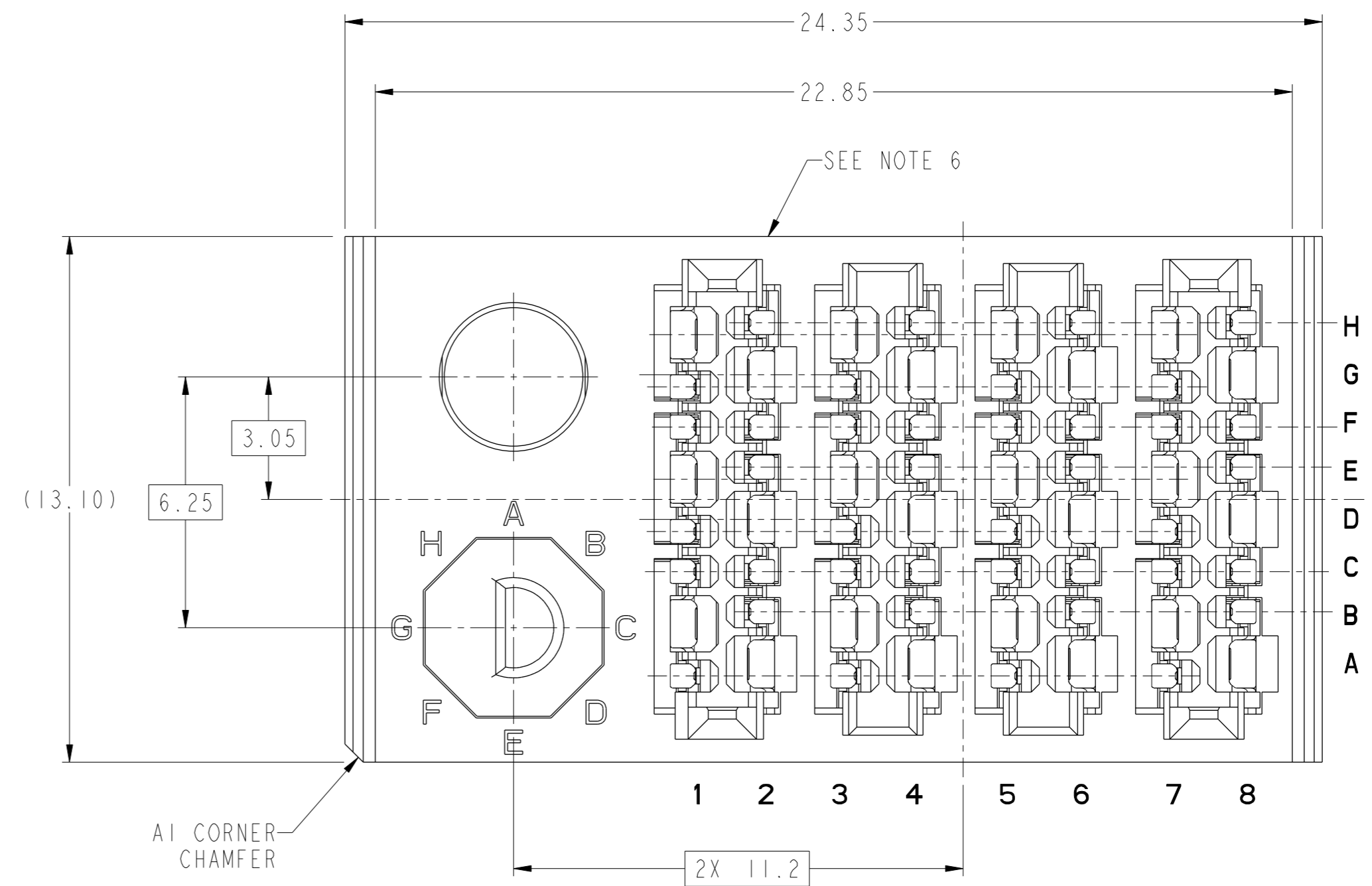
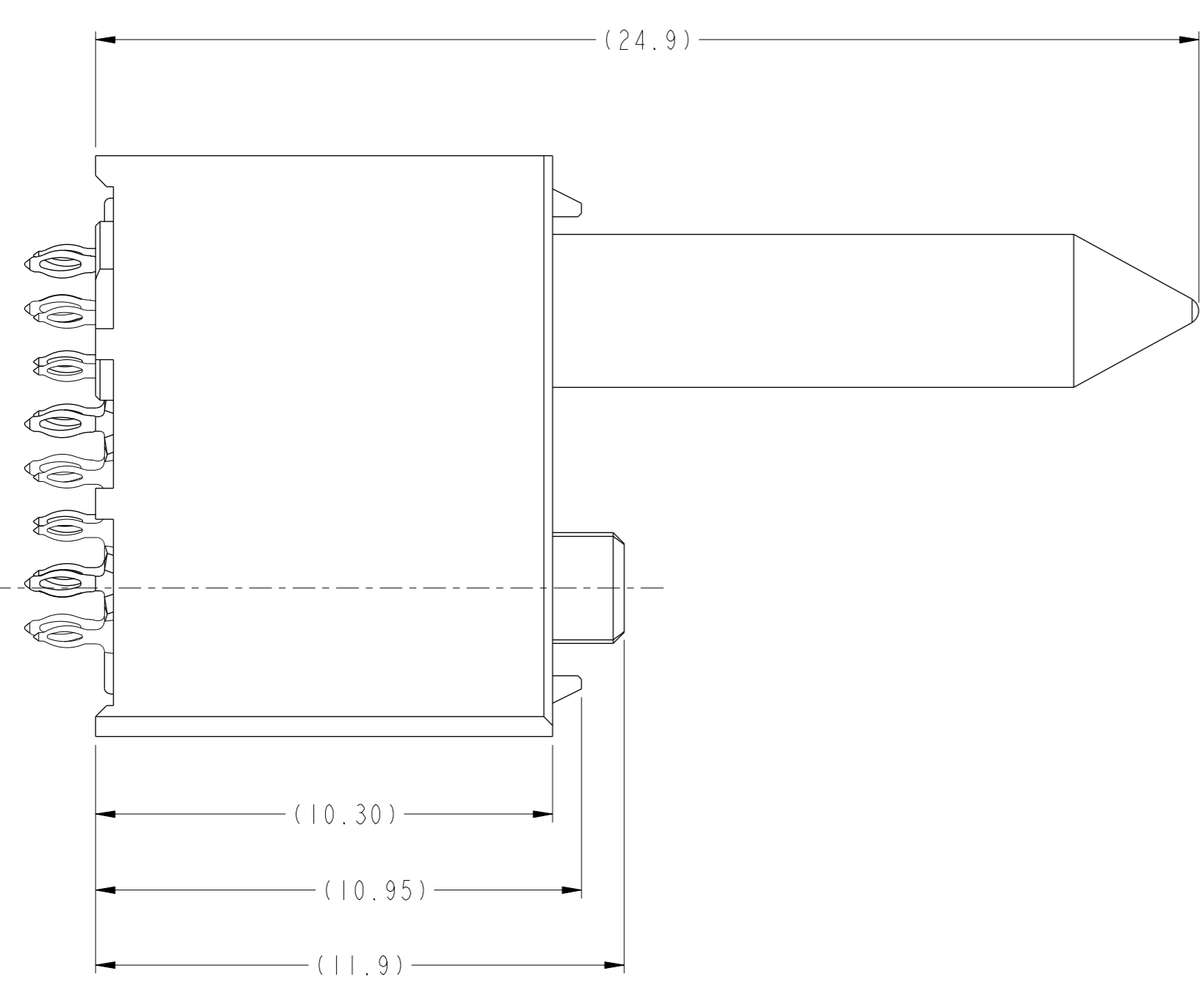
Printed: May 15, 2015

Ø2.50
 Ø0.10
 SEE NOTE 16



**RECOMMENDED PCB LAYOUT FOR
 10124412-Y1YLF w/o END WALLS
 COMPONENT SIDE
 SEE NOTES 8, 9, 11 & 16**

spec ref	SEE NOTES	dr	Mark Gray	20130220	projection	MM	size	A2	scale	2:1										
tolerance std	TOLERANCES UNLESS OTHERWISE SPECIFIED	eng	Terry Luo	20150514			ecn no	-	rel level	Released										
ASME Y14.5M		chr	Martin Li	20150514																
		appr	Collins Lu	20150514																
surface	<table border="1"> <tr> <td>linear</td> <td>0.X</td> <td>±.3</td> </tr> <tr> <td></td> <td>0.XX</td> <td>±.10</td> </tr> <tr> <td></td> <td>0.XXX</td> <td>±.050</td> </tr> <tr> <td>angular</td> <td>0°</td> <td>±2°</td> </tr> </table>	linear	0.X	±.3		0.XX	±.10		0.XXX	±.050	angular	0°	±2°			ExaMAX VERTICAL HEADER ASS'Y, 2 PAIR, 64 POS, 8 IMLA		cat. no. SEE TABLE	Product - Customer Drw	sheet 9 of 17
linear	0.X	±.3																		
	0.XX	±.10																		
	0.XXX	±.050																		
angular	0°	±2°																		



10124412-Y1LLF THRU -Y1WLF
 RIGHT GUIDANCE CONNECTOR w/END WALLS (SEE NOTE 17)
 FOR ALL OTHER DIMENSIONS SEE SHEET 1

Copyright FCI.
FCI

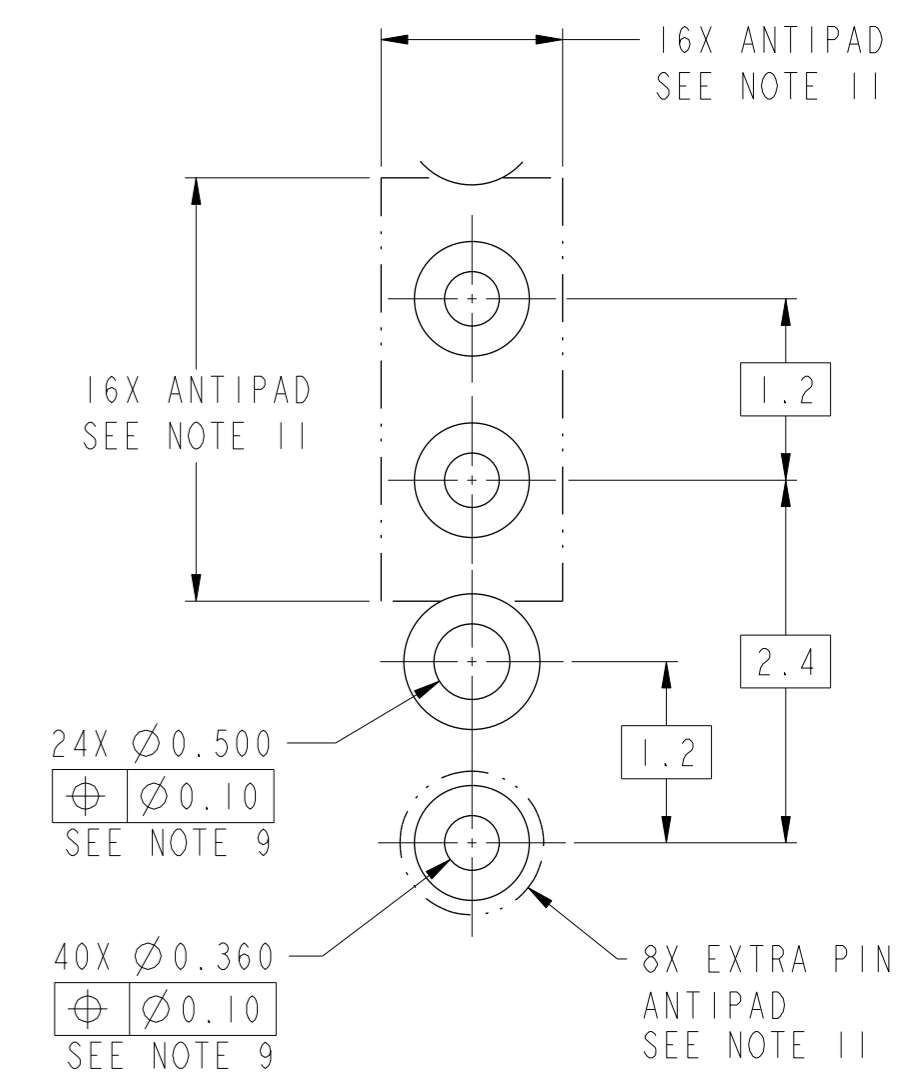
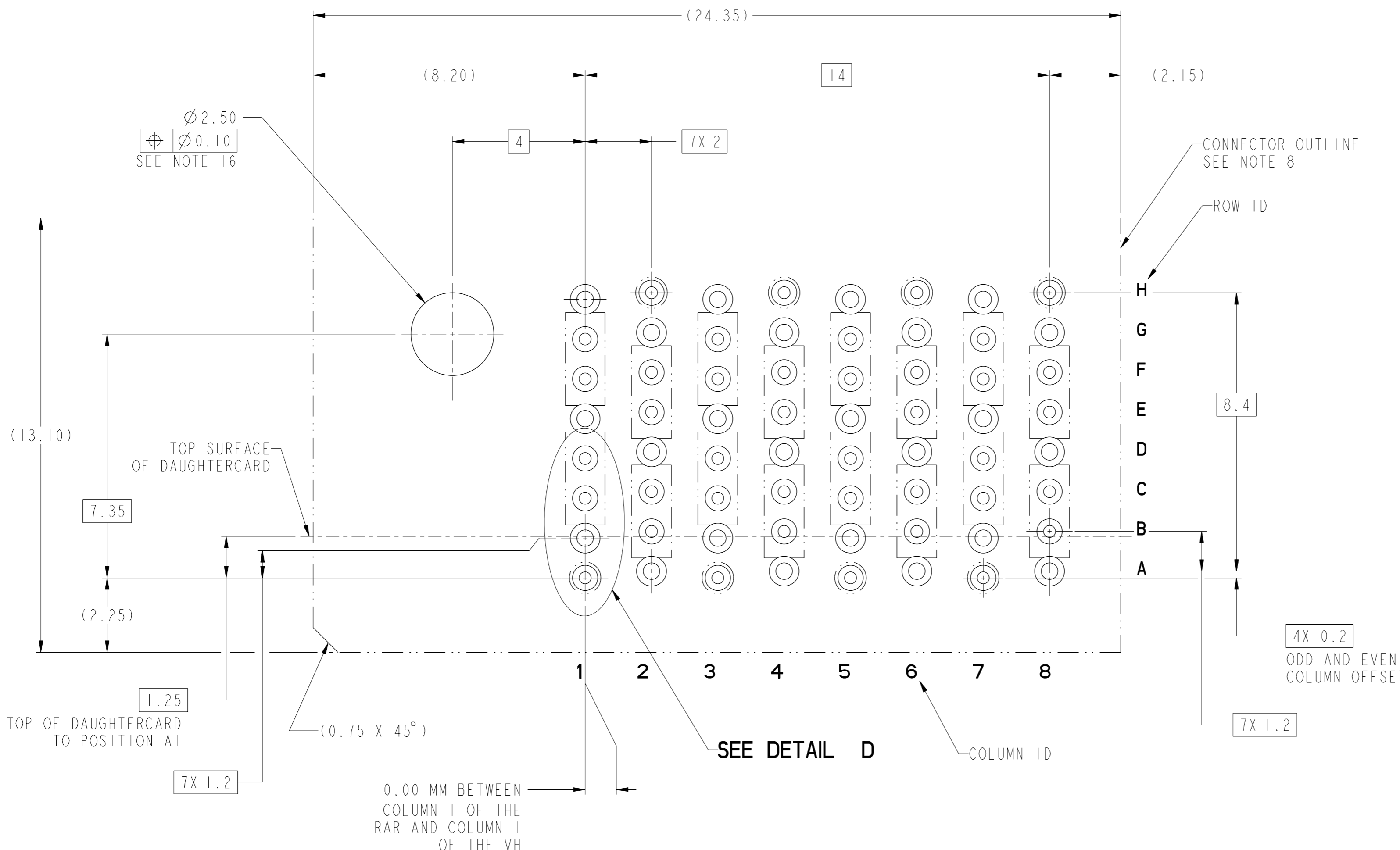
spec ref	SEE NOTES	dr	Mark Gray	2013/02/20	projection	MM	size	A2	scale	2:1												
tolerance std	TOLERANCES UNLESS OTHERWISE SPECIFIED	eng	Terry Luo	2015/05/14			ecn no	-	rel level	Released												
ASME Y14.5M		chr	Martin Li	2015/05/14							product family	ExaMAX										
surface	<table border="1"> <tr> <td>linear</td> <td>0.X</td> <td>±.3</td> </tr> <tr> <td></td> <td>0.XX</td> <td>±.10</td> </tr> <tr> <td></td> <td>0.XXX</td> <td>±.050</td> </tr> <tr> <td>angular</td> <td>0°</td> <td>±2°</td> </tr> </table>	linear	0.X	±.3		0.XX	±.10		0.XXX	±.050	angular	0°	±2°	appr	Collins Lu	2015/05/14	title	ExaMAX VERTICAL HEADER	cat. no.	SEE TABLE	Product - Customer Drw	sheet 10 of 17
linear	0.X	±.3																				
	0.XX	±.10																				
	0.XXX	±.050																				
angular	0°	±2°																				
					www.fci.com	ASS'Y, 2 PAIR, 64 POS, 8 IMLA	rel level	Released	rev	A												
							10124412															

PDS: Rev :A

STATUS:Released

Printed: May 15, 2015

Ø 2.50
 ⊕ Ø 0.10
 SEE NOTE 16



**RECOMMENDED PCB LAYOUT FOR
 10124412-Y1YLF w/END WALLS
 COMPONENT SIDE
 SEE NOTES 8, 9, 11 & 16**



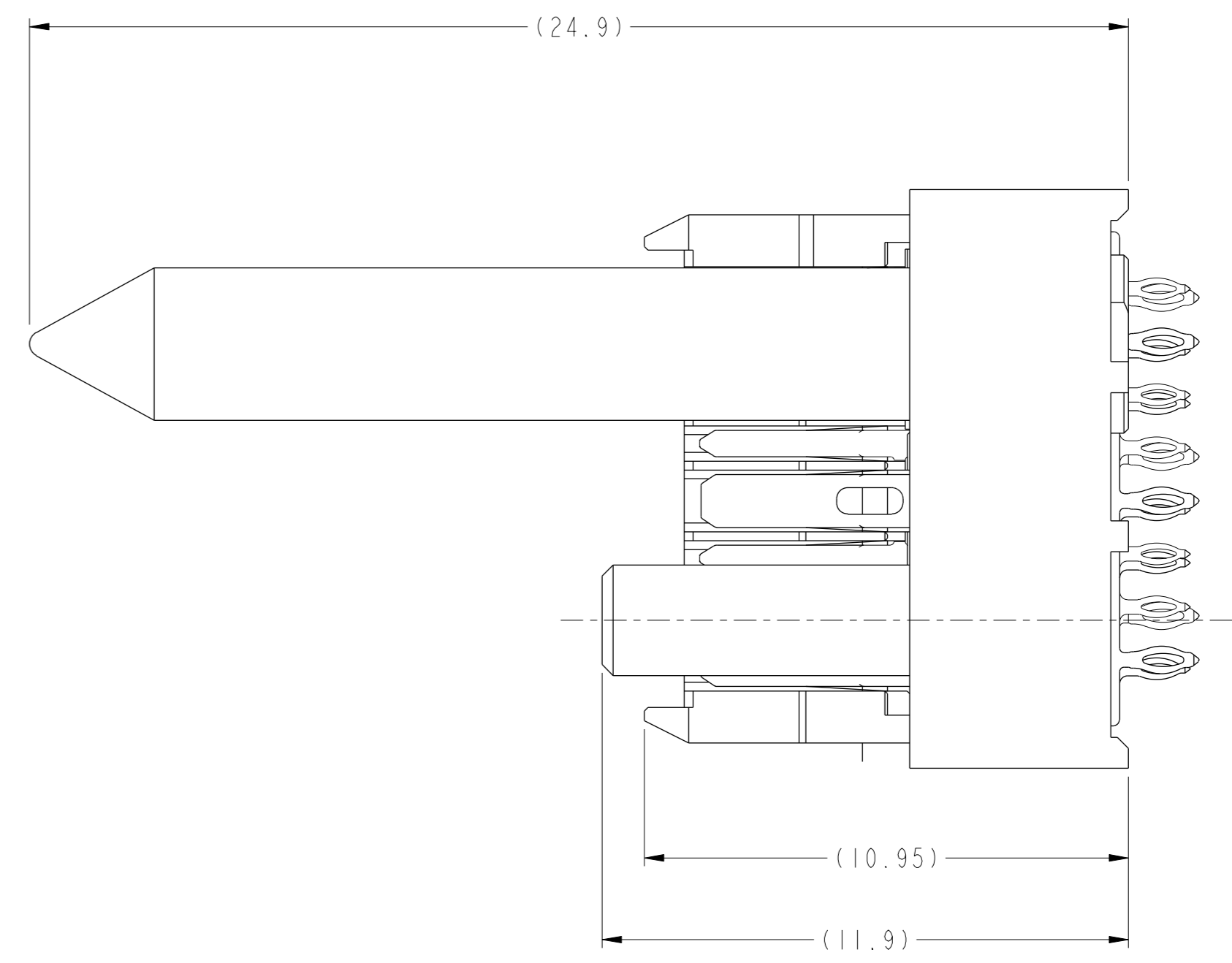
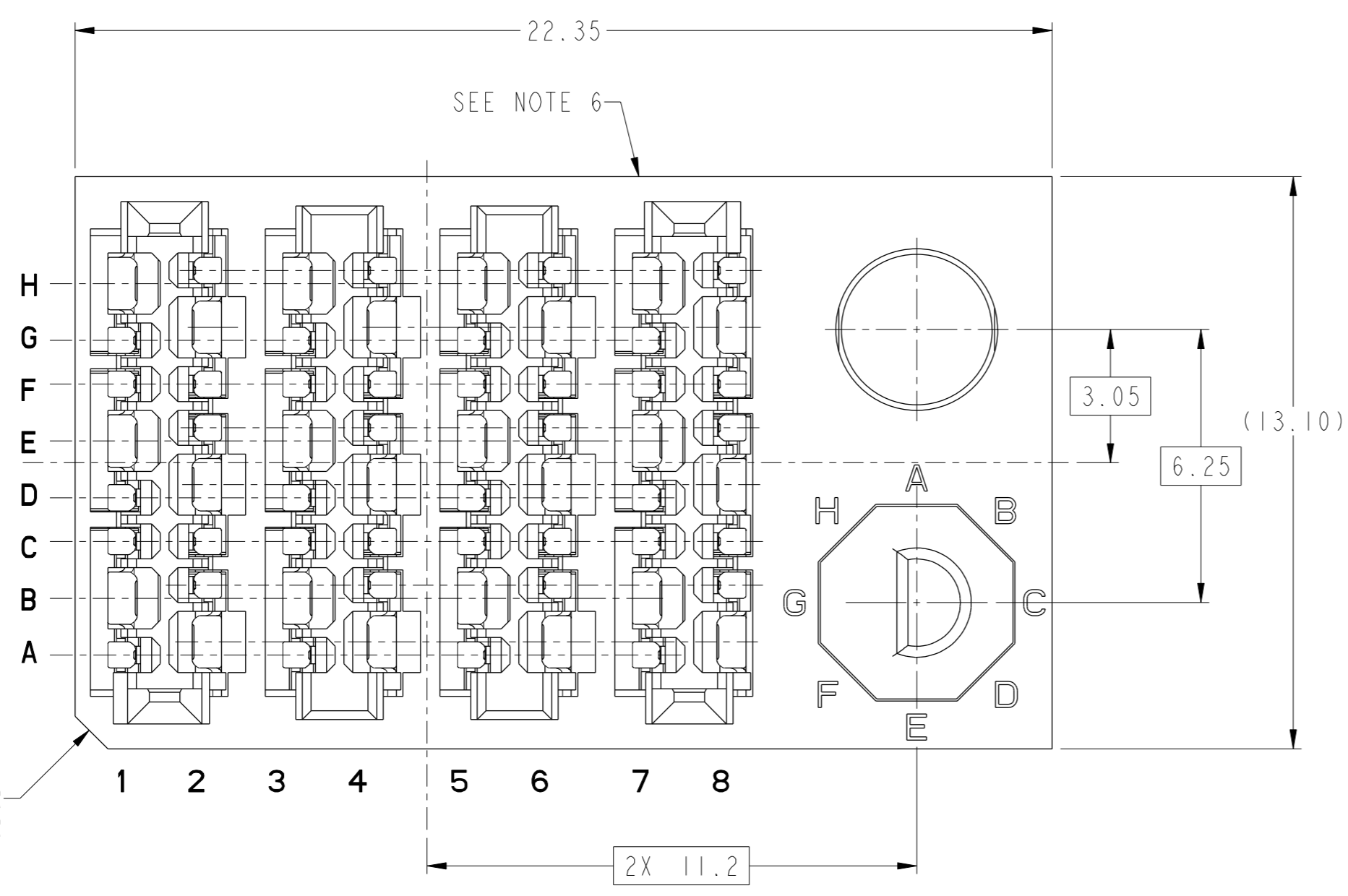
Copyright FCI.

spec ref	SEE NOTES	dr	Mark Gray	201302/20	projection	MM	size	A2	scale	5:1												
tolerance std	TOLERANCES UNLESS OTHERWISE SPECIFIED	eng	Terry Luo	201505/14			ecn no	-	rel level	Released												
ASME Y14.5M		chr	Martin Li	201505/14																		
surface	<table border="1"> <tr> <td>linear</td> <td>0.X</td> <td>±.3</td> </tr> <tr> <td></td> <td>0.XX</td> <td>±.10</td> </tr> <tr> <td></td> <td>0.XXX</td> <td>±.050</td> </tr> <tr> <td>angular</td> <td>0°</td> <td>±2°</td> </tr> </table>	linear	0.X	±.3		0.XX	±.10		0.XXX	±.050	angular	0°	±2°	appr	Collins Lu	201505/14	product family	ExaMAX	cat. no.	SEE TABLE	Product - Customer Drw	sheet 11 of 17
linear	0.X	±.3																				
	0.XX	±.10																				
	0.XXX	±.050																				
angular	0°	±2°																				
		FCI www.fci.com			TITLE ExaMAX VERTICAL HEADER ASS'Y, 2 PAIR, 64 POS, 8 IMLA		no 10124412	rev A														

PDS: Rev :A

STATUS:Released

Printed: May 15, 2015



10124412-Y2ALF THRU -Y2JLF
 LEFT GUIDANCE CONNECTOR (SEE NOTE 17)
 FOR ALL DIMENSIONS SEE SHEET 1

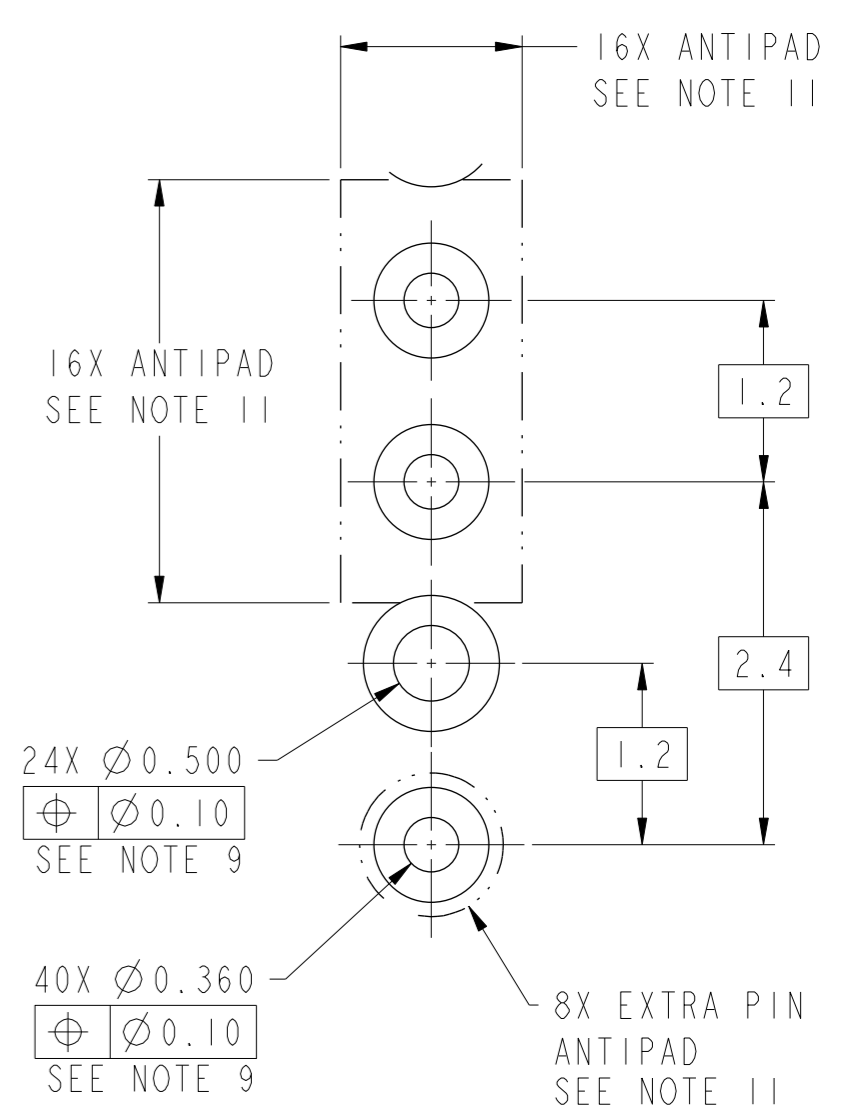
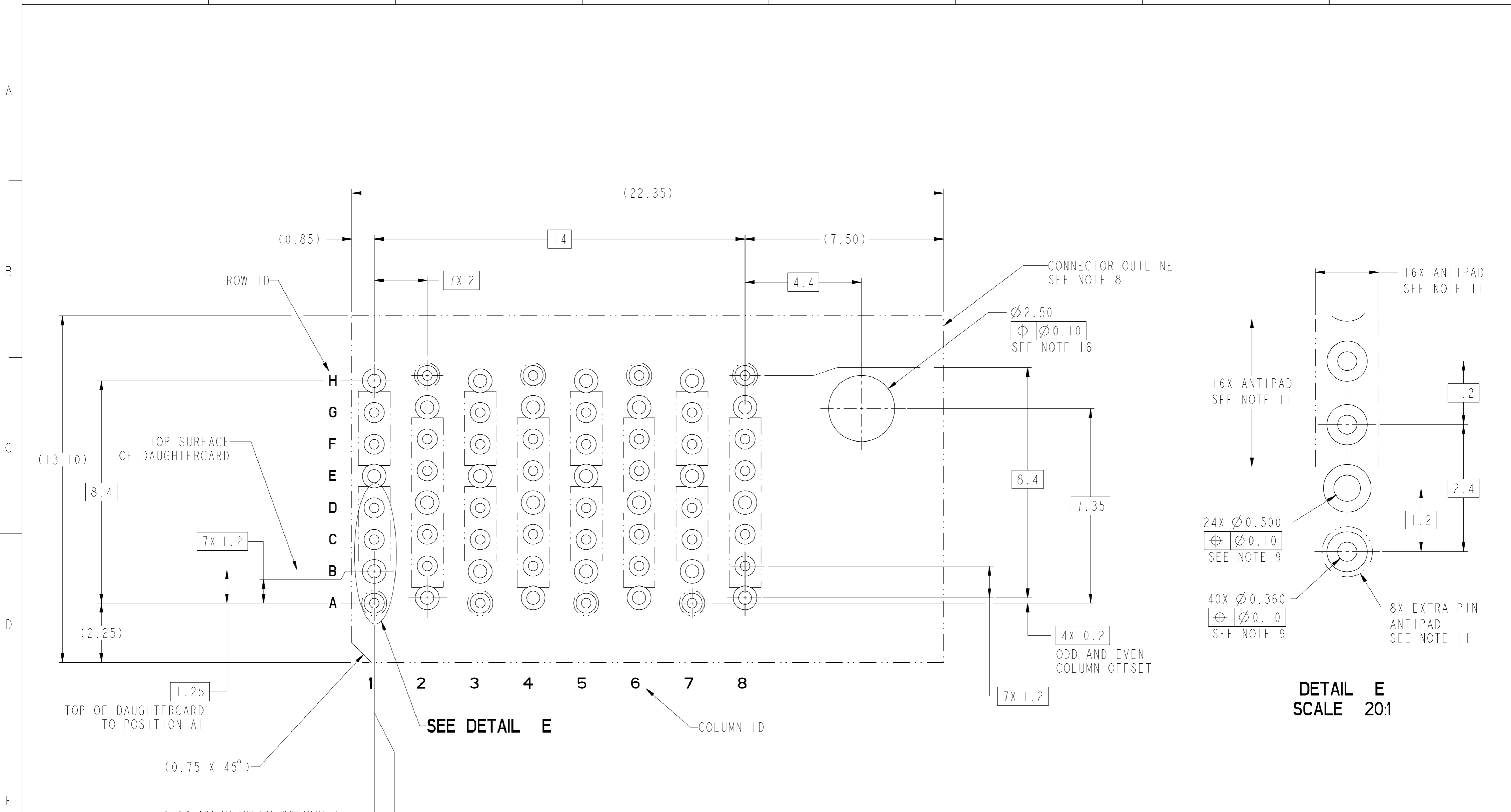
Copyright FCI.
FCI

spec ref	SEE NOTES	dr	Mark Gray	201302/20	projection	MM	size	A2	scale	10:1												
tolerance std	TOLERANCES UNLESS OTHERWISE SPECIFIED	eng	Terry Luo	201505/14			ecn no	-	rel level	Released												
ASME Y14.5M		chr	Martin Li	201505/14																		
surface	<table border="1"> <tr> <td>linear</td> <td>0.X</td> <td>±.3</td> </tr> <tr> <td></td> <td>0.XX</td> <td>±.10</td> </tr> <tr> <td></td> <td>0.XXX</td> <td>±.050</td> </tr> <tr> <td>angular</td> <td>0°</td> <td>±2°</td> </tr> </table>	linear	0.X	±.3		0.XX	±.10		0.XXX	±.050	angular	0°	±2°	appr	Collins Lu	201505/14	product family	ExaMAX	rel level	Released	rev	A
linear	0.X	±.3																				
	0.XX	±.10																				
	0.XXX	±.050																				
angular	0°	±2°																				
				ExaMAX VERTICAL HEADER ASS'Y, 2 PAIR, 64 POS, 8 IMLA		cat. no.	SEE TABLE	Product - Customer Drw	sheet 12 of 17													

PDS: Rev :A

STATUS:Released

Printed: May 15, 2015



DETAIL E
SCALE 20:1

**RECOMMENDED PCB LAYOUT FOR
10124412-Y2YLF w/o END WALLS
COMPONENT SIDE
SEE NOTES 8, 9, 11, & 16**

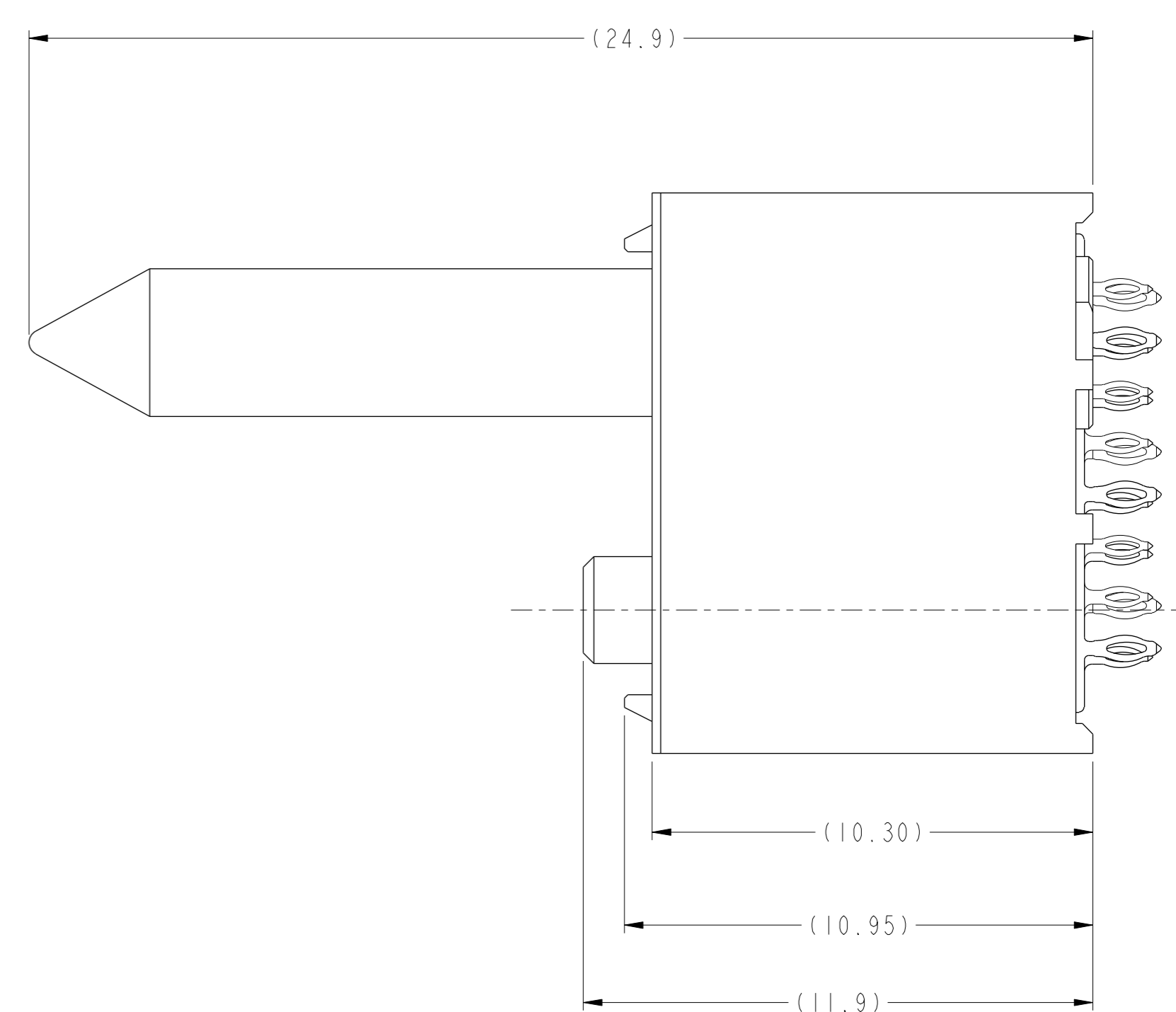
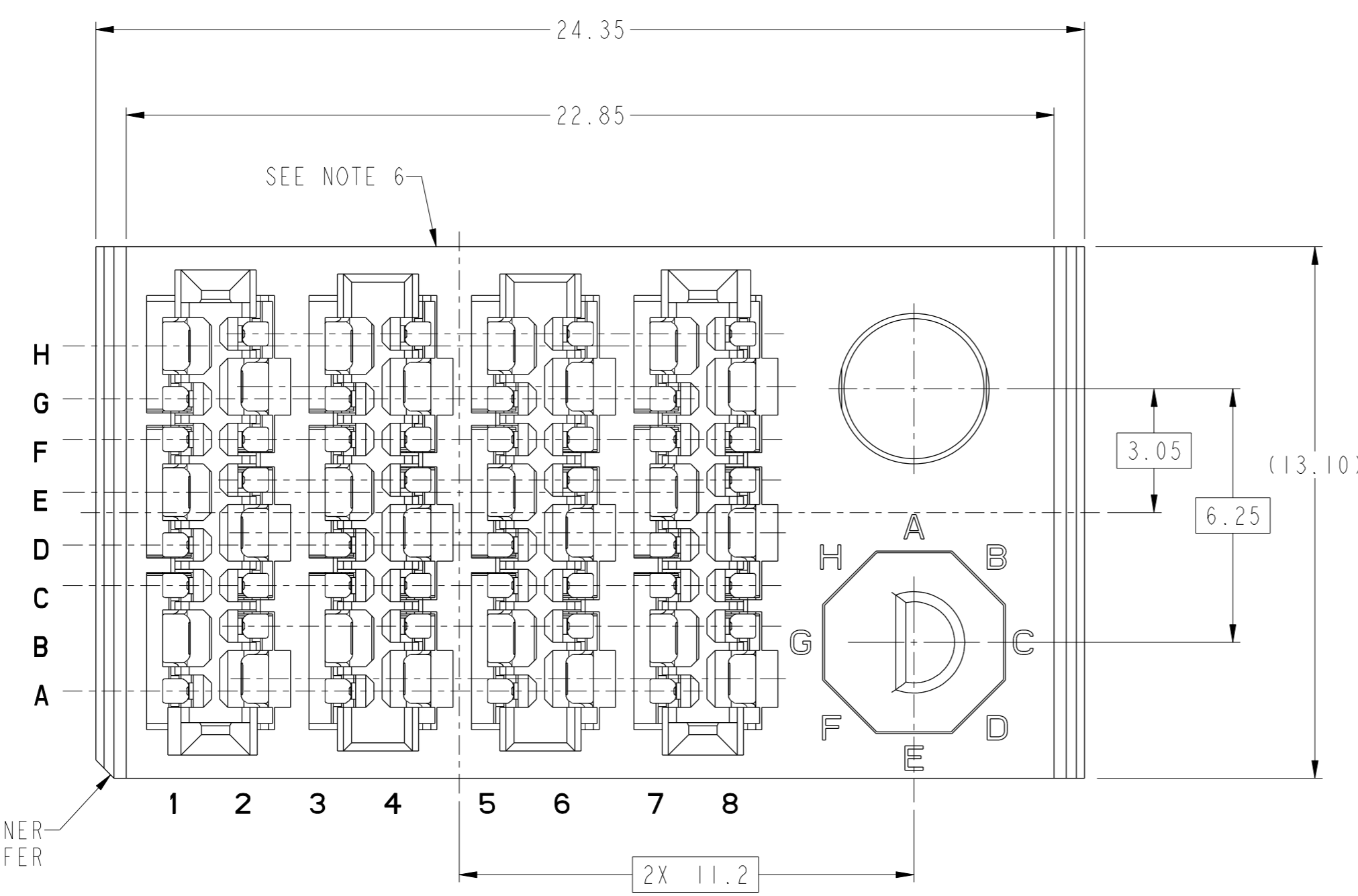
Copyright FCI.
FCI

spec ref	SEE NOTES	dr	Mark Gray	20130220	projection	MM	size	A2	scale	2:1												
tolerance std	TOLERANCES UNLESS OTHERWISE SPECIFIED	eng	Terry Luo	201505/14			ecn no	-	rel level	Released												
ASME Y14.5M		chr	Martin Li	201505/14																		
surface	<table border="1"> <tr> <td>linear</td> <td>0.X</td> <td>±.3</td> </tr> <tr> <td></td> <td>0.XX</td> <td>±.10</td> </tr> <tr> <td></td> <td>0.XXX</td> <td>±.050</td> </tr> <tr> <td>angular</td> <td>0°</td> <td>±2°</td> </tr> </table>	linear	0.X	±.3		0.XX	±.10		0.XXX	±.050	angular	0°	±2°	appr	Collins Lu	201505/14	product family	ExaMAX	diag no	10124412	rev	A
linear	0.X	±.3																				
	0.XX	±.10																				
	0.XXX	±.050																				
angular	0°	±2°																				
				ExaMAX VERTICAL HEADER ASS'Y, 2 PAIR, 64 POS, 8 IMLA		cat. no. SEE TABLE		Product - Customer Drw		sheet 13 of 17												

PDS: Rev :A

STATUS:Released

Printed: May 15, 2015



10124412-Y2LLF THRU -Y2WLF
 LEFT GUIDANCE CONNECTOR w/END WALLS (SEE NOTE 17)
 FOR ALL OTHER DIMENSIONS SEE SHEET 1



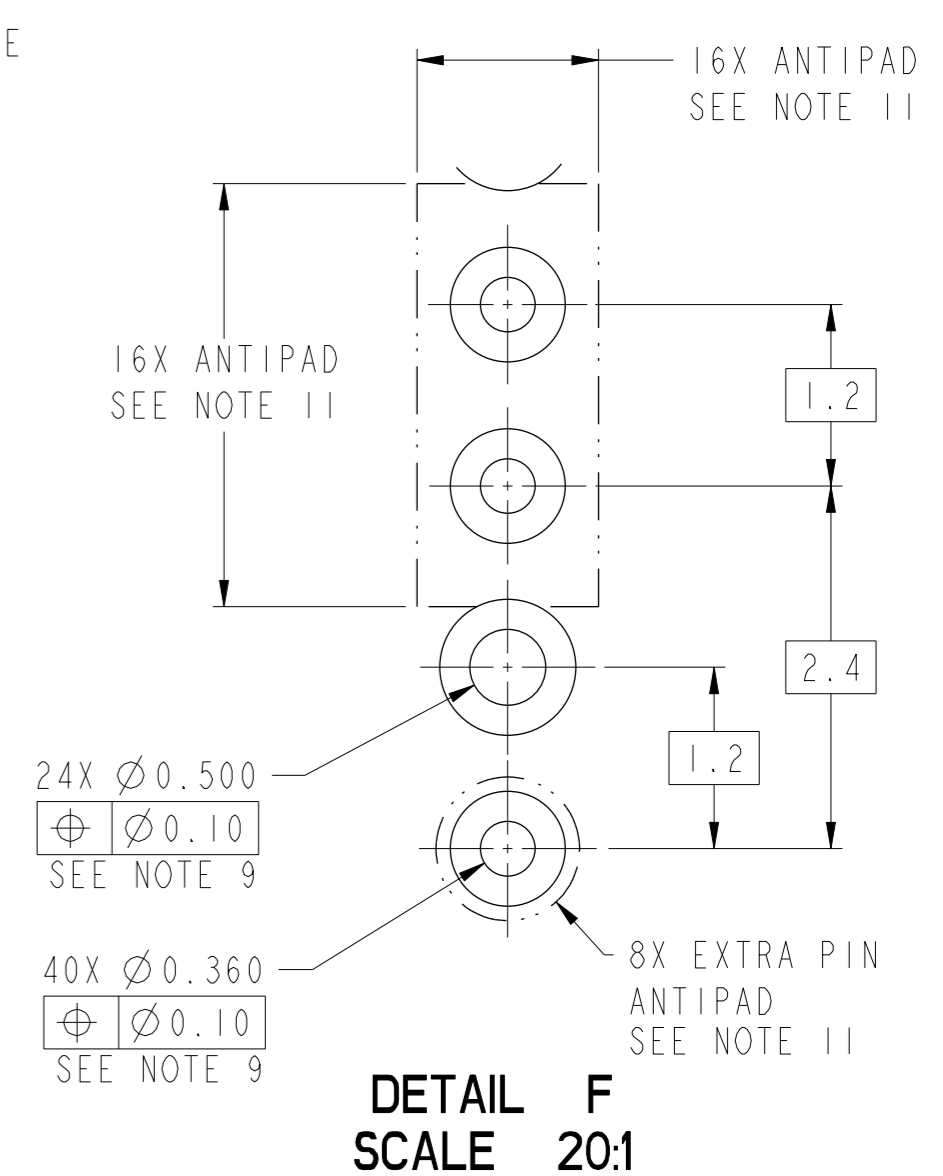
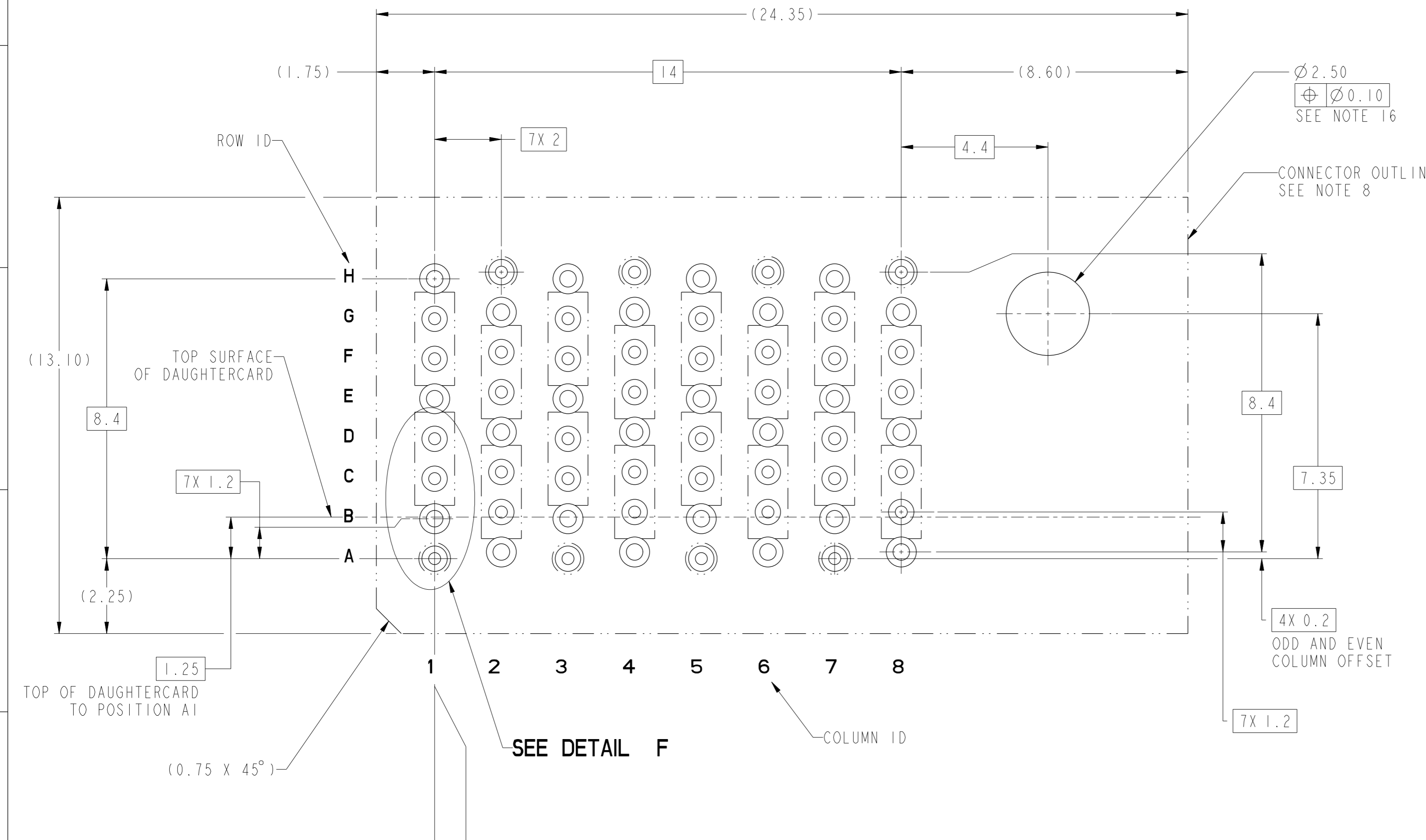
Copyright FCI.

spec ref	SEE NOTES	dr	Mark Gray	2013/02/20	projection	MM	size	A2	scale	2:1																								
tolerance std	TOLERANCES UNLESS OTHERWISE SPECIFIED	eng	Terry Luo	2015/05/14			ecn no	-	rel level	Released																								
ASME Y14.5M		chr	Martin Li	2015/05/14																														
surface	<table border="1"> <tr> <td>linear</td> <td>0.X</td> <td>±.3</td> </tr> <tr> <td></td> <td>0.XX</td> <td>±.10</td> </tr> <tr> <td></td> <td>0.XXX</td> <td>±.050</td> </tr> <tr> <td>angular</td> <td>0°</td> <td>±2°</td> </tr> </table>	linear	0.X	±.3		0.XX	±.10		0.XXX	±.050	angular	0°	±2°	appr	Collins Lu	2015/05/14	product family	ExaMAX	rel level	Released		<table border="1"> <tr> <td>title</td> <td>ExaMAX VERTICAL HEADER</td> <td>no</td> <td>10124412</td> <td>rev</td> <td>A</td> </tr> <tr> <td>ASS'Y, 2 PAIR, 64 POS, 8 IMLA</td> <td></td> <td>diag no</td> <td></td> <td></td> <td></td> </tr> </table>	title	ExaMAX VERTICAL HEADER	no	10124412	rev	A	ASS'Y, 2 PAIR, 64 POS, 8 IMLA		diag no			
linear	0.X	±.3																																
	0.XX	±.10																																
	0.XXX	±.050																																
angular	0°	±2°																																
title	ExaMAX VERTICAL HEADER	no	10124412	rev	A																													
ASS'Y, 2 PAIR, 64 POS, 8 IMLA		diag no																																
www.fci.com	cat. no.	SEE TABLE	Product - Customer Drw	sheet 14 of 17																														

PDS: Rev :A

STATUS:Released

Printed: May 15, 2015



**RECOMMENDED PCB LAYOUT FOR
10124412-Y2YLF w/END WALLS
COMPONENT SIDE
SEE NOTES 8, 9, 11, & 16**

Copyright FCI.

spec ref	SEE NOTES	dr	Mark Gray	20130220	projection	MM	size	A2	scale	5:1												
tolerance std	TOLERANCES UNLESS OTHERWISE SPECIFIED	eng	Terry Luo	201505/14			ecn no	-	rel level	Released												
ASME Y14.5M		chr	Martin Li	201505/14																		
surface	<table border="1"> <tr> <td>linear</td> <td>0.X</td> <td>±.3</td> </tr> <tr> <td></td> <td>0.XX</td> <td>±.10</td> </tr> <tr> <td></td> <td>0.XXX</td> <td>±.050</td> </tr> <tr> <td>angular</td> <td>0°</td> <td>±2°</td> </tr> </table>	linear	0.X	±.3		0.XX	±.10		0.XXX	±.050	angular	0°	±2°	appr	Collins Lu	201505/14	product family	ExaMAX	diag no	10124412	rev	A
linear	0.X	±.3																				
	0.XX	±.10																				
	0.XXX	±.050																				
angular	0°	±2°																				
				ExaMAX VERTICAL HEADER ASS'Y, 2 PAIR, 64 POS, 8 IMLA		www.fci.com		cat. no. SEE TABLE		Product - Customer Drw		sheet 15 of 17										

PDS: Rev :A

STATUS:Released

Printed: May 15, 2015

10124412 - Y Y Y L F

ASSEMBLY PART NUMBER	DESCRIPTION
10124412-1YYLF	STANDARD MATE
10124412-2YYLF	ADVANCED MATE
10124412-3YYLF	SHORT DETECT
10124412-4YYLF	ADVANCED MATE & SHORT DETECT

MODULE DESCRIPTION	DESIGNATION REPRESENTED IN DASH NUMBER									BASE MODULE
WITHOUT END WALLS (SEE SHEET 1)	01									
WITH END WALLS (SEE SHEET 6)	02									
RIGHT GUIDANCE MODULE, WITHOUT END WALLS (SEE SHEET 8)	1A	1B	1C	1D	1E	1F	1G	1H	1J (NO KEY)	
RIGHT GUIDANCE MODULE, WITH END WALLS (SEE SHEET 10)	1L	1M	1N	1P	1R	1T	1U	1V	1W (NO KEY)	
LEFT GUIDANCE MODULE, WITHOUT END WALLS (SEE SHEET 12)	2A	2B	2C	2D	2E	2F	2G	2H	2J (NO KEY)	
LEFT GUIDANCE MODULE, WITH END WALLS (SEE SHEET 14)	2L	2M	2N	2P	2R	2T	2U	2V	2W (NO KEY)	

spec ref	SEE NOTES	dr	Mark Gray	2013/02/20	projection	MM	size	A2	scale	2:1																					
tolerance std	TOLERANCES UNLESS OTHERWISE SPECIFIED	eng	Terry Luo	2015/05/14		←	ecn no	-	rel level	Released																					
ASME Y14.5M		chr	Martin Li	2015/05/14							product family	ExaMAX																			
surface	<table border="1"> <tr> <td>linear</td> <td>0.X</td> <td>±.3</td> </tr> <tr> <td></td> <td>0.XX</td> <td>±.10</td> </tr> <tr> <td></td> <td>0.XXX</td> <td>±.050</td> </tr> <tr> <td>angular</td> <td>0°</td> <td>±2°</td> </tr> </table>	linear	0.X	±.3		0.XX	±.10		0.XXX	±.050	angular	0°	±2°	appr	Collins Lu	2015/05/14			<table border="1"> <tr> <td>title</td> <td>ExaMAX VERTICAL HEADER</td> <td>no</td> <td>10124412</td> <td>rev</td> <td>A</td> </tr> <tr> <td>ASS'Y, 2 PAIR, 64 POS, 8 IMLA</td> <td></td> <td>cat. no.</td> <td>SEE TABLE</td> <td>Product - Customer Drw</td> <td>sheet 16 of 17</td> </tr> </table>	title	ExaMAX VERTICAL HEADER	no	10124412	rev	A	ASS'Y, 2 PAIR, 64 POS, 8 IMLA		cat. no.	SEE TABLE	Product - Customer Drw	sheet 16 of 17
linear	0.X	±.3																													
	0.XX	±.10																													
	0.XXX	±.050																													
angular	0°	±2°																													
title	ExaMAX VERTICAL HEADER	no	10124412	rev	A																										
ASS'Y, 2 PAIR, 64 POS, 8 IMLA		cat. no.	SEE TABLE	Product - Customer Drw	sheet 16 of 17																										



NOTES:

- ① - CONNECTOR MATERIALS:
HOUSING: HIGH TEMP THERMOPLASTIC, BLACK, UL94-V0
IMLA PLASTIC: HIGH TEMP THERMOPLASTIC, BLACK, UL94-V0
CONTACT: COPPER ALLOY
GUIDE PIN: ZINC ALLOY
POLARIZING PIN: ZINC ALLOY
- 2 - CONTACT PLATING:
SEPARABLE INTERFACE:
PERFORMANCE-BASED PLATING, QUALIFIED TO MEET THE REQUIREMENTS OF FCI PRODUCT SPECIFICATION GS-12-1096 INCLUDING TELCORDIA GR-1217-CORE (NOVEMBER 1995) CENTRAL OFFICE TEST SEQUENCE

PRESS-FIT TAILS: TIN OVER NICKEL (LEAD FREE)
- 3 - PRODUCT SPECIFICATION: GS-12-1096
- 4 - APPLICATION SPECIFICATION GS-20-0361.
- 5 - PACKAGING MEETS GS-14-920 LEAD FREE LABELING SPECIFICATION.
- ⑥ - PRODUCT MARKING, (PART NUMBER & LOT CODE), ON THIS SURFACE.
- ⑦ - THE MINIMUM CENTERLINE SPACING BETWEEN ADJACENT MODULES IS 16.0 mm FOR 10124412-Y01LF AND 18.0 mm FOR 10124412-Y02LF.
- ⑧ - CONNECTOR OUTLINE MAY BE SCREEN PRINTED ONTO CUSTOMER PCB TO BE USED AS A GUIDE FOR MANUAL CONNECTOR PLACEMENT.
- ⑨ - REFER TO CUSTOMER DRAWING 10119933 FOR INFORMATION ON PCB HOLE DIAMETERS AND PLATING OPTIONS
- ⑩ - THIS PRODUCT MEETS THE EUROPEAN UNION DIRECTIVES & OTHER COUNTRY REGULATIONS AS DESCRIBED IN GS-47-0004.
- ⑪ - REFER TO APPLICATION SPECIFICATION FOR TRACE ROUTING EXAMPLES THAT INCLUDE DIMENSIONS FOR ANTIPADS, TRACE WIDTHS, TRACE SPACING, ETC.
- 12 - THE HOUSING WILL WITHSTAND EXPOSURE TO 260° C FOR 10-30 SECONDS IN A CONVECTION, INFRA-RED OR VAPOR PHASE REFLOW OVEN.
- ⑬ - THE ADVANCED MATE HEADER, 10124412-2YYLF, WHEN MATED WITH AN ADVANCED MATE RIGHT ANGLE RECEPTACLE, 10124411-2YYLF, WILL PROVIDE 2 PAIRS OF MATING CONTACTS THAT MATE 0.75MM BEFORE THE REMAINDER OF THE SIGNAL AND GROUND CONTACTS.
- ⑭ - THE SHORT DETECT HEADER, 10124412-3YYLF, WHEN MATED WITH A RIGHT ANGLE RECEPTACLE, 10124411-1YYLF, WILL PROVIDE 1 PAIR OF MATING CONTACTS THAT MATE 1.00 MM AFTER THE REMAINDER OF THE SIGNAL AND GROUND CONTACTS.
- ⑮ - THE ADVANCE MATE/SHORT DETECT HEADER, 10124412-4YYLF, WHEN MATED WITH AN ADVANCED MATE RECEPTACLE, 10124411-2YYLF, WILL PROVIDE 2 PAIRS OF MATING CONTACTS THAT MATE 0.75MM BEFORE THE REMAINDER OF THE SIGNAL AND GROUND CONTACTS AND 1 PAIR OF MATING CONTACTS THAT MATE 1.00MM AFTER THE REMAINDER OF THE SIGNAL AND GROUND CONTACTS.
- ⑯ - FOR CONNECTORS WITH EITHER A RIGHT OR LEFT GUIDE MODULE, A PHILLIPS PAN HEAD M2 X 0.4 HOLD-DOWN SCREW SHALL BE USED TO SECURE THE CONNECTOR AND GUIDE PIN TO THE PCB. THE SCREW LENGTH SHALL BE 2.0-6.0 mm PLUS THE THICKNESS OF THE PCB. SCREW IS NOT PROVIDED WITH THE CONNECTOR.
- ⑰ - LEFT / RIGHT INTEGRATED GUIDE ORIENTATION IS DETERMINED BY THE LOCATION OF THE GUIDE FEATURES WHEN LOOKING AT THE MATING FACE OF THE RIGHT ANGEL RECEPTACLE. THE LEFT / RIGHT DESIGNATION OF THE MATING HEADER IS DEFINED BY THE RIGHT ANGEL RECEPTACLE THAT IT MATES WITH (i. e. A RIGHT GUIDE VERTICAL HEADER MATES WITH A RIGHT GUIDE RIGHT ANGEL RECEPTACLE.)

spec ref	SEE NOTES	dr	Mark Gray	20130220	projection	MM	size	A2	scale	3:1
tolerance std	TOLERANCES UNLESS OTHERWISE SPECIFIED	eng	Terry Luo	20150514		← →	ecn no	-	rel level	Released
ASME Y14.5M		chr	Martin Li	20150514						
surface	✓	linear	0.X	±.3	product family	ExaMAX	cat. no.	10124412	rev	A
			0.XX	±.10						
			0.XXX	±.050						
		angular	0°	±2°	SEE TABLE	Product - Customer Drw	sheet 17 of 17			