

# Customer Information Sheet

DRAWING No.: M80-781XXXX

SHEET 2 OF 2

IF IN DOUBT - ASK

©

NOT TO SCALE

THIRD ANGLE PROJECTION

ALL DIMENSIONS IN mm

ORDER CODE: **M80-781XXXX**

TOTAL No. OF WAYS \_\_\_\_\_  
02-07, 17, 22

FINISH \_\_\_\_\_  
22 - GOLD ON CONTACT AREA  
TIN/LEAD ON TAILS  
42 - GOLD ON CONTACT AREA  
100% TIN ON TAILS  
45 - GOLD

**SPECIFICATIONS:**

**MATERIAL:**  
MOULDING = GLASS-FILLED POLYAMIDE 46  
UL94V-0, BLACK

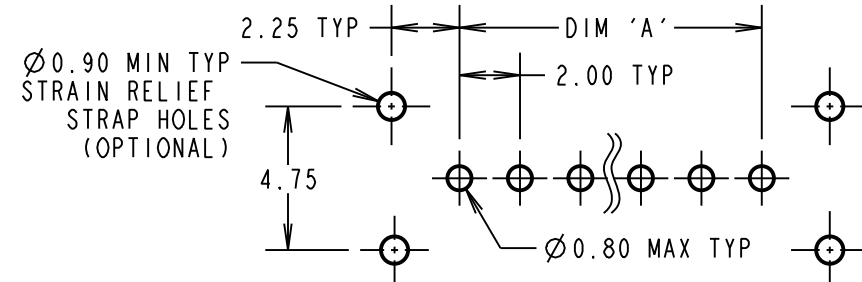
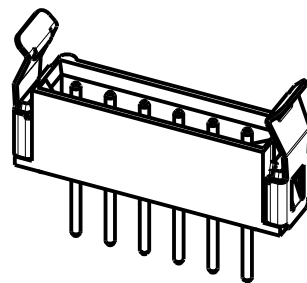
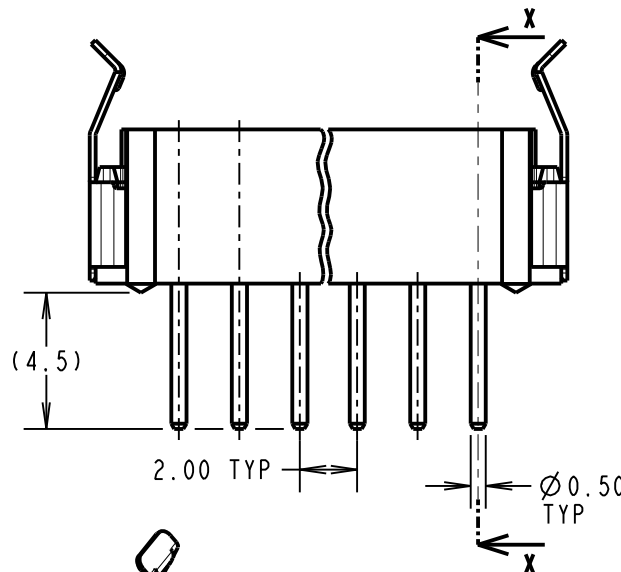
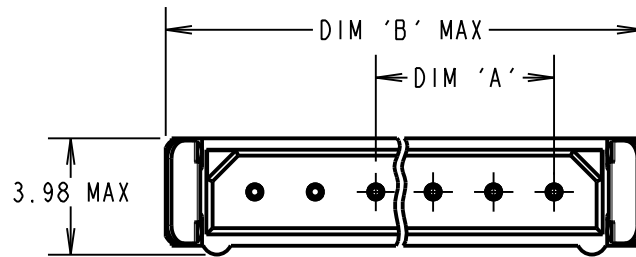
CONTACTS = PHOSPHOR BRONZE  
LATCHES = BERYLLIUM COPPER

**FINISH:**  
**CONTACTS:**  
22 = 0.75µ GOLD ON CONTACT AREA.  
3.0µ 90/10 TIN/LEAD ON TAILS  
42 = 0.75µ GOLD ON CONTACT AREA.  
3.0µ 100% TIN OVER NICKEL ON TAILS  
45 = 0.75µ GOLD  
LATCH = 1.25µ NICKEL

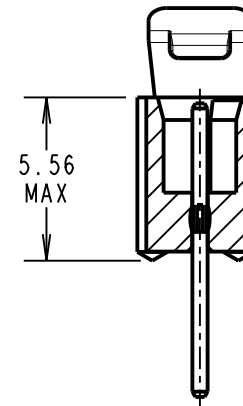
**ELECTRICAL:**  
CURRENT RATING (25°C) = 3.0A MAX.  
CURRENT RATING (85°C) = 2.2A MAX.  
WORKING VOLTAGE = 120V AC/DC  
VOLTAGE PROOF = 360V AC/DC

**CONTACT RESISTANCE:**  
INITIAL = 20mΩ MAX.  
AFTER CONDITIONING = 25mΩ MAX.  
**INSULATION RESISTANCE:**  
INITIAL = 1000MΩ MIN.  
AFTER CONDITIONING = 100MΩ MIN.

**MECHANICAL:**  
DURABILITY = 500 OPERATIONS  
**ENVIRONMENTAL:**  
TEMPERATURE RANGE = -55°C TO +125°C  
**PACKING:** TUBE  
FOR COMPLETE SPECIFICATION, SEE COMPONENT SPECIFICATION C005XX (LATEST ISSUE)



RECOMMENDED PCB LAYOUT



SECTION X-X

NOTES:  
1. 2-OFF STRAIN RELIEF STRAPS M80-0030006 MAY BE USED WITH EACH CONNECTOR.

PART No.	No. OF CONTACTS	DIM 'A'	DIM 'B'
M80-78102XX	2	2.00	8.10
M80-78103XX	3	4.00	10.10
M80-78104XX	4	6.00	12.10
M80-78105XX	5	8.00	14.10
M80-78106XX	6	10.00	16.10
M80-78107XX	7	12.00	18.10
M80-78117XX	17	32.00	38.10
M80-78122XX	22	42.00	48.10

SM	3	27.05.11	10832
NAME	ISS.	DATE	C/NOTE
APPROVED: S. MCCULLAGH			
CHECKED: M. G. PLESTED			
DRAWN: B. M. KENT			
CUSTOMER REF.:			
ASSEMBLY DRG:			

**HARWIN**

HARWIN USA TEL: 603 893 5376 FAX: 603 893 5396 mis@harwin.com	HARWIN Europe (UK) TEL: 023 9231 4545 FAX: 023 9231 4590 mis@harwin.co.uk	HARWIN Asia TEL: +65 6 779 4909 FAX: +65 6 779 3868 mis@harwin.com.sg
--	--	--

THIS DRAWING AND ANY INFORMATION OR DESCRIPTIVE MATTER SET OUT HEREON ARE CONFIDENTIAL AND COPYRIGHT PROPERTY OF THE HARWIN GROUP AND MUST NOT BE DISCLOSED, LOANED, COPIED OR USED FOR MANUFACTURING, TENDERING OR FOR ANY OTHER PURPOSE WITHOUT THEIR WRITTEN PERMISSION.

**TOLERANCES**  
X. = ±1mm  
X.X = ±0.25mm  
X.XX = ±0.10mm  
X.XXX = ±0.01mm  
**ANGLES = ±5°**  
**UNLESS STATED**

**MATERIAL:**  
SEE ABOVE  
**FINISH:** SEE ABOVE  
**S/AREA:** mm<sup>2</sup>

**TITLE:** DATAMATE SIL  
VERTICAL MALE PC TAIL  
ASSEMBLY - FRICTION LATCH  
**DRAWING NUMBER:** M80-781XXXX  
SHT 2 OF 2