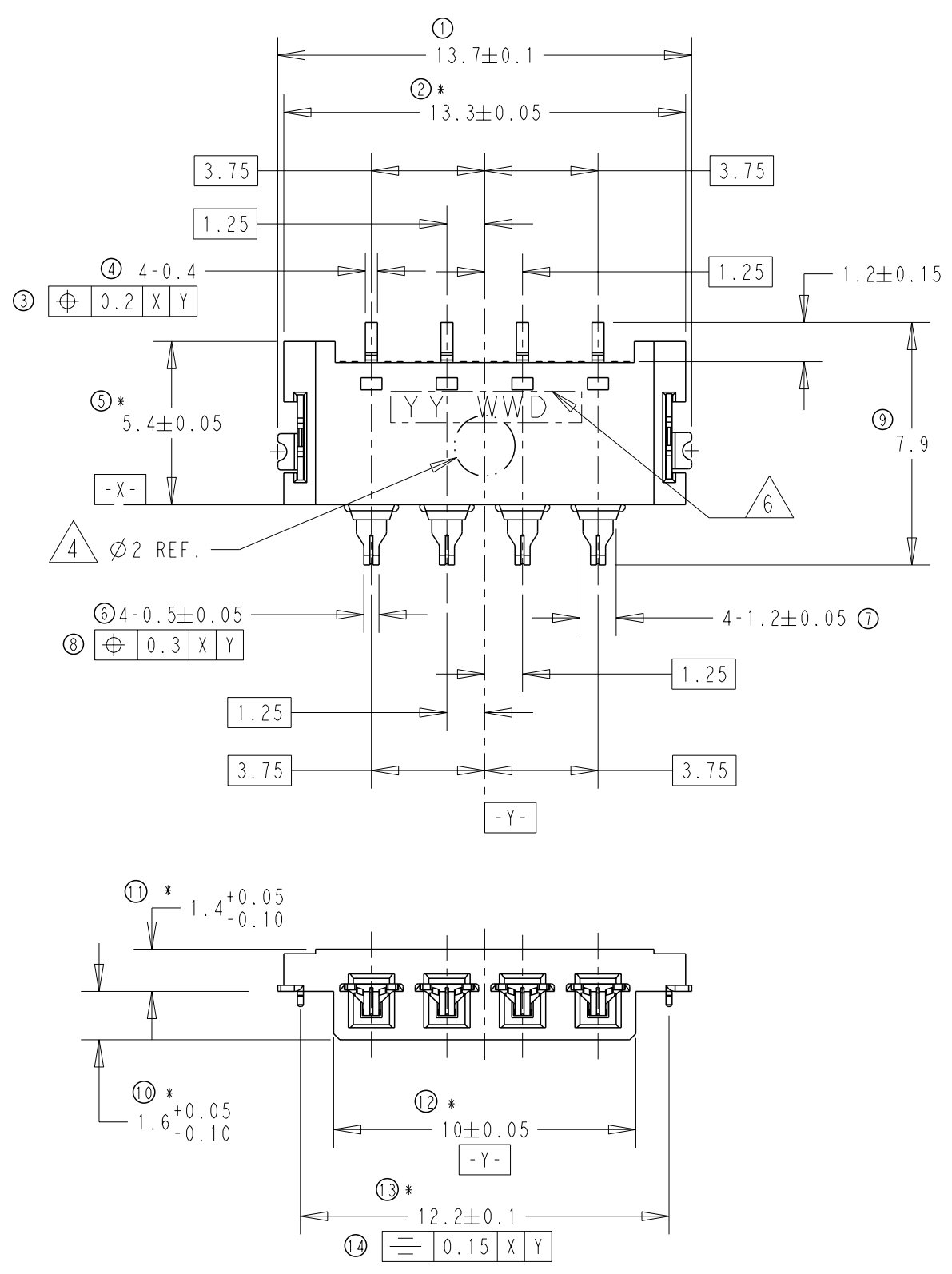
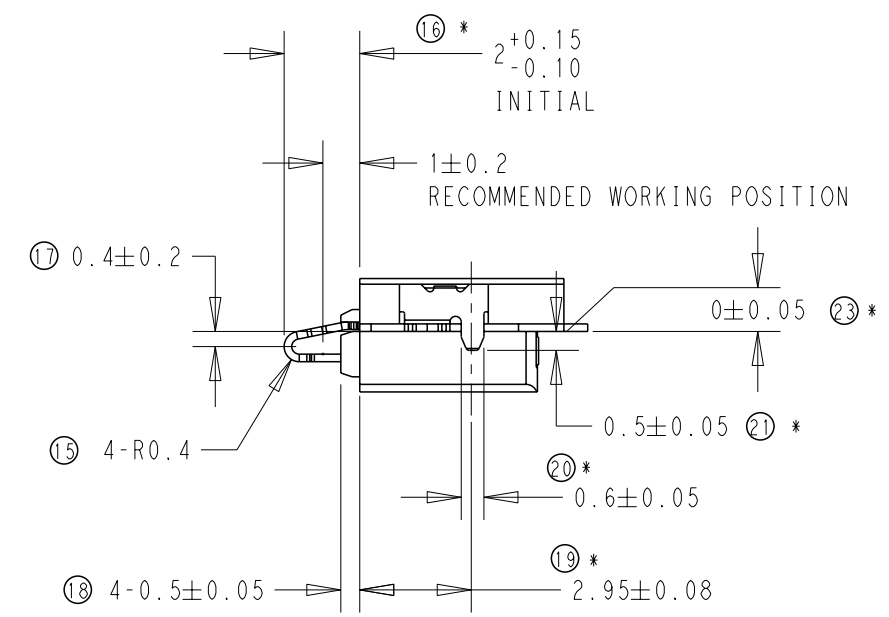


THIS DRAWING IS UNPUBLISHED. RELEASED FOR PUBLICATION 20  
 © COPYRIGHT 20 BY - ALL RIGHTS RESERVED.

LOC	DIST	REVISIONS					
		P	LTR	DESCRIPTION	DATE	DWN	APVD
-	-		A4	REVISED ON KEY DIMENSION MARK	16DEC2014	I.T	W.H



- ① MATERIAL  
CONTACT: COPPER ALLOY, C7035 TM06.  
HOUSING: PA-4T, UL94V-0, BLACK.  
SOLDER PEG: BRASS OR STAINLESS STEEL.
- ② FINISH  
CONTACT: 1.0 um MIN. NICKEL UNDER PLATING.  
0.2 um MIN. GOLD PLATING AT CONTACT AREA.  
0.025 um MIN. GOLD PLATING AT SOLDERING AREA.  
SOLDER PEG: 1.0 um MIN. NICKEL UNDER PLATING.  
1.5 um MIN. TIN PLATING.
- ③ COPLANARITY 0.08MM MAX, 0.1MM MAX AFTER REFLOW.
- ④ PICK UP AREA
- ⑤ EMBOSS AND COVER TAPE: ESD PROTECTION MATERIAL
- ⑥ MARK WITH DATE CODE, YYWWD: YY-YEAR, WW-WEEK, D-DAY
- ⑦ STORAGE LIFE: AT LEAST 12 MONTHS.
- ⑧ DIMENSIONS BE MARKED '\*' ARE KEY DIMENSIONS.



2199206-1 AS SHOWN

THIS DRAWING IS A CONTROLLED DOCUMENT.		DWN 18SEP2012 ZHANG WEI	TE Connectivity		
DIMENSIONS: mm		CHK 18SEP2012 XU XIANG			
TOLERANCES UNLESS OTHERWISE SPECIFIED:		APVD 18SEP2012 STEVNE YAO	NAME RIGHT ANGLE, 4 POS MID-MOUNT BATTERY CONNECTOR		
0 PLC ±0.3 1 PLC ±0.2 2 PLC ±0.2 3 PLC ±0.2 4 PLC ±0.1 ANGLES ±3		PRODUCT SPEC 108-115054	SIZE CAGE CODE DRAWING NO RESTRICTED TO		
MATERIAL ①		FINISH ②	APPLICATION SPEC -	WEIGHT 0.294g	A3 00779 C-2199206
		CUSTOMER DRAWING	SCALE 5:1	SHEET 1 OF 3	REV A4

THIS DRAWING IS UNPUBLISHED.

RELEASED FOR PUBLICATION

20

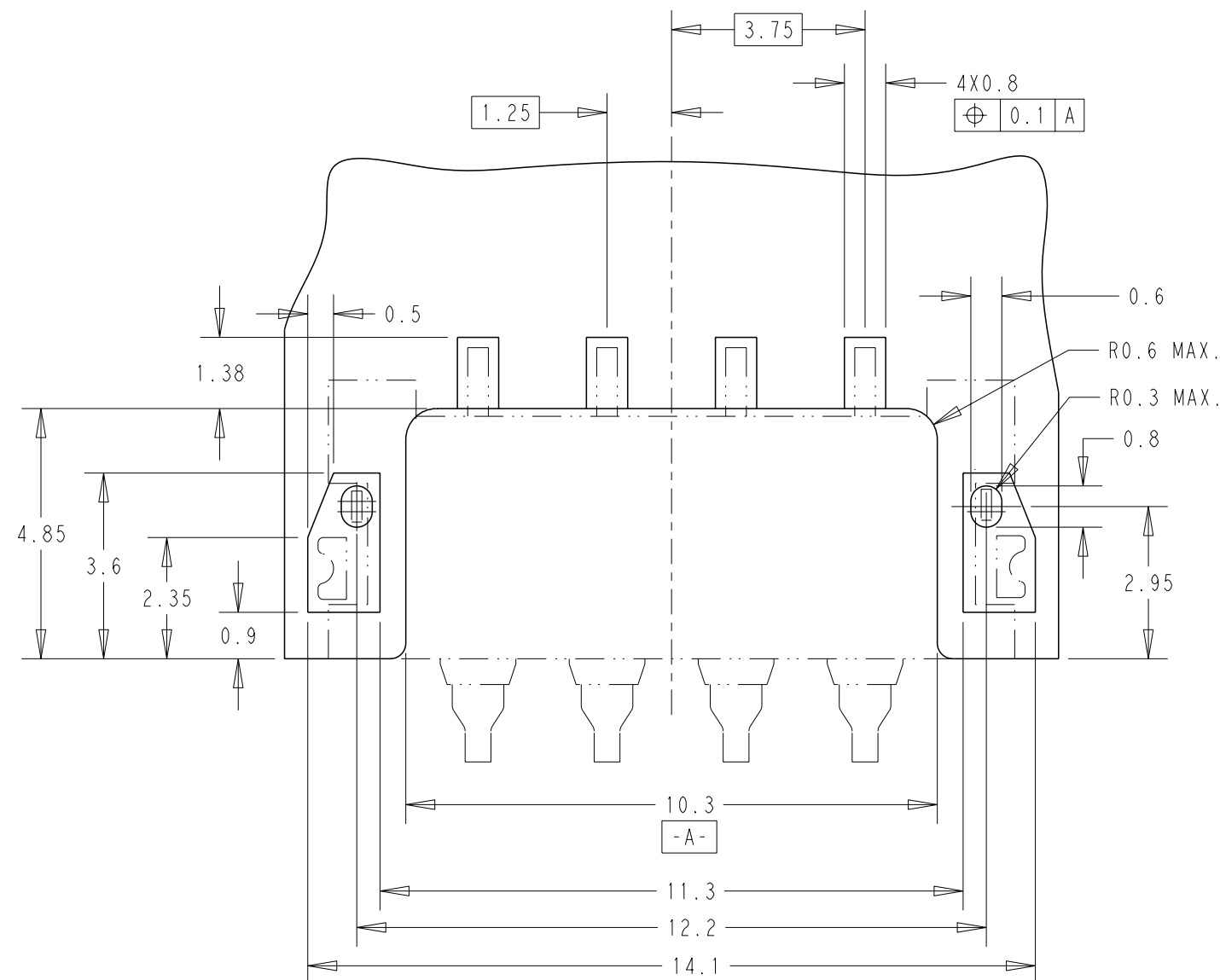
© COPYRIGHT 20 BY -

ALL RIGHTS RESERVED.

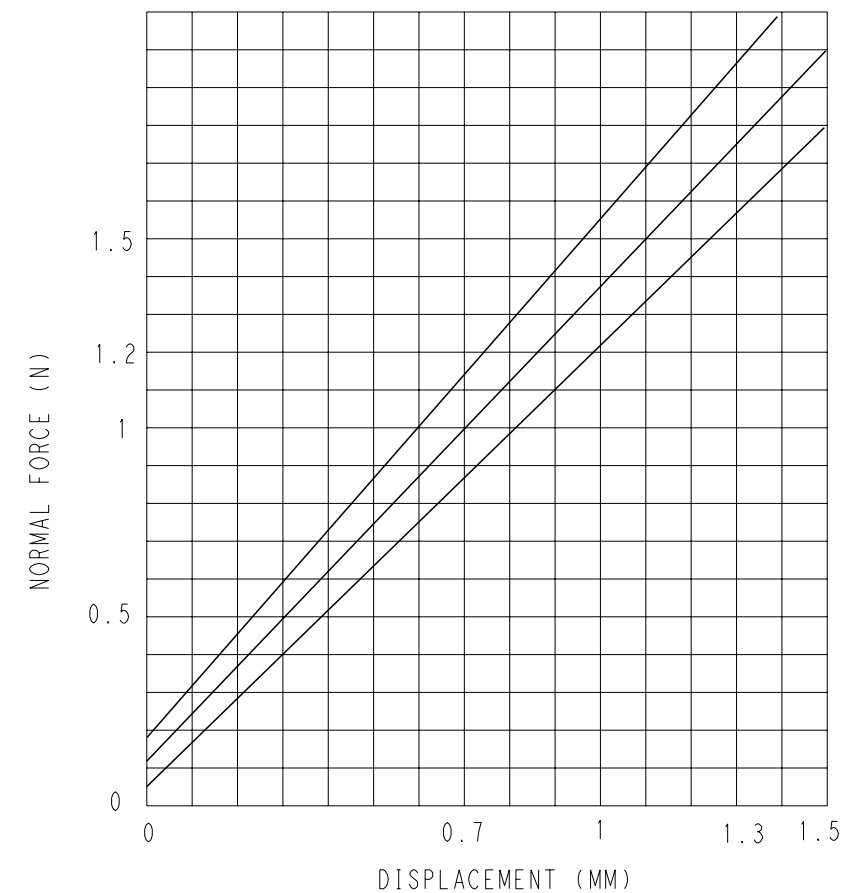
LOC	DIST
-	-

REVISIONS

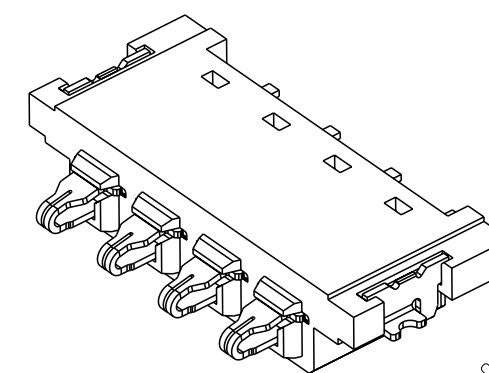
P	LTR	DESCRIPTION	DATE	DWN	APVD
		SEE SHEET 1			



RECOMMENDED PCB LAYOUT  
GENERAL TOLERANCE: ±0.05



NORMAL FORCE CURVE FOR REFERENCE



SCALE 5:1  
3D VIEW FOR REFERENCE

THIS DRAWING IS A CONTROLLED DOCUMENT.

DIMENSIONS: mm	TOLERANCES UNLESS OTHERWISE SPECIFIED:
	0 PLC ± 0.3
	1 PLC ± 0.2
	2 PLC ± 0.2
	3 PLC ± 0.2
	4 PLC ± 0.1
	ANGLES ± 3
MATERIAL	FINISH

DWN	18SEP2012
ZHANG WEI	
CHK	18SEP2012
XU XIANG	
APVD	18SEP2012
STEVNE YAO	
PRODUCT SPEC	108-115054
APPLICATION SPEC	-
WEIGHT	0.294g

		TE Connectivity	
NAME RIGHT ANGLE, 4 POS MID-MOUNT BATTERY CONNECTOR			
SIZE	CAGE CODE	DRAWING NO	RESTRICTED TO
A3	00779	C-2199206	-
CUSTOMER DRAWING		SCALE 5:1	SHEET 2 OF 3 REV A4

THIS DRAWING IS UNPUBLISHED.

RELEASED FOR PUBLICATION

20

© COPYRIGHT 20 BY -

ALL RIGHTS RESERVED.

LOC -

DIST -

REVISIONS

P LTR

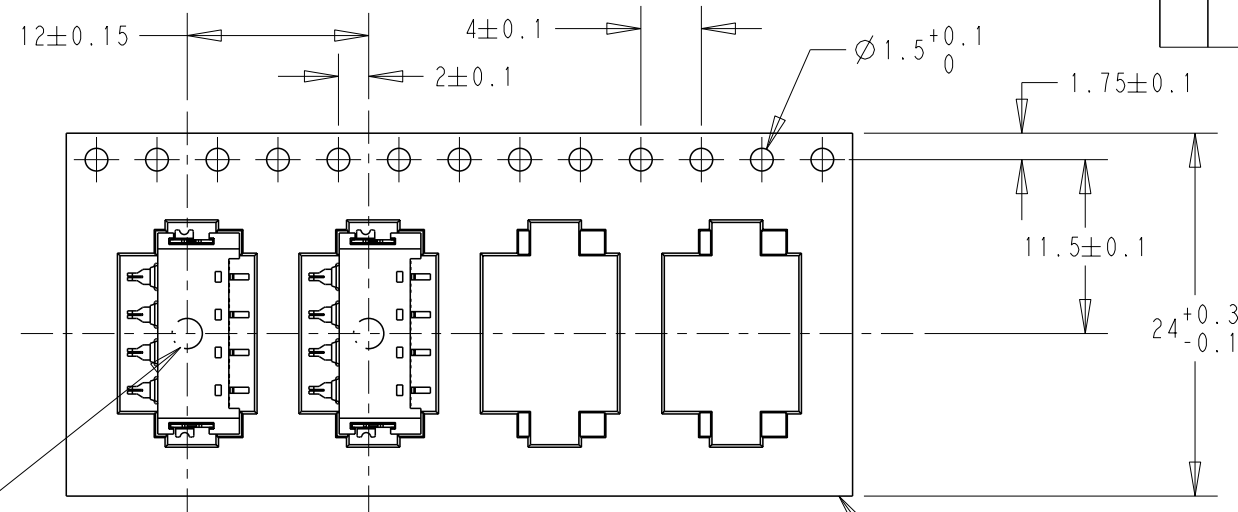
DESCRIPTION

DATE

DWN

APVD

SEE SHEET 1



CENTER OF THE PICKING PLACE

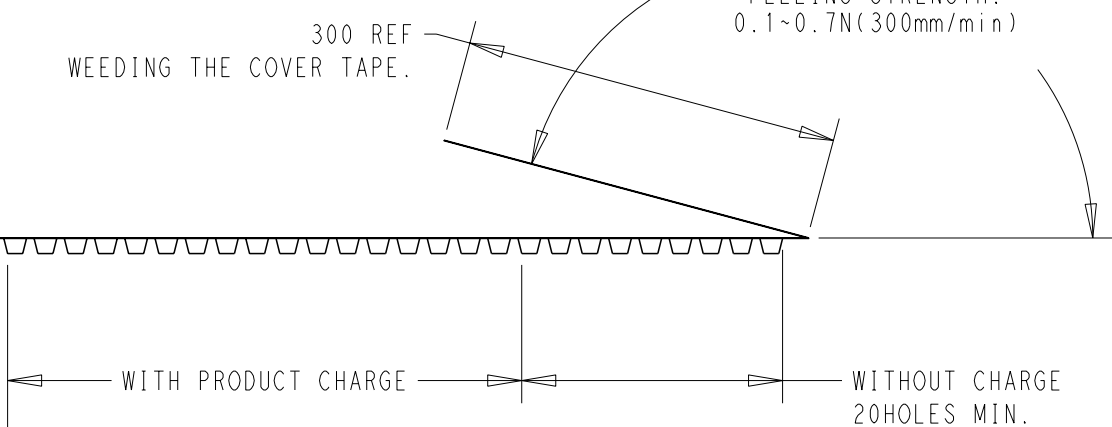
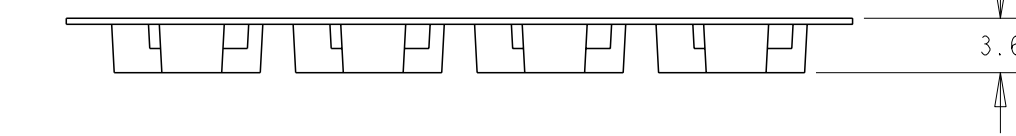
URER DIRECTION OF UNREELING

30.4 REF REEL WIDTH

FLANGE CORE DIA Ø100REF

Ø330REF REEL DIA.

24.4REF



R13±0.5

300REF WITHOUT CHARGE

1500

TBD

1533494-1

QTY/REEL

② COVER TAPE

① EMBOSS TAPE

THIS DRAWING IS A CONTROLLED DOCUMENT.

DWN ZHANG WEI 18SEP2012

CHK XU XIANG 18SEP2012

APVD STEVNE YAO 18SEP2012

PRODUCT SPEC 108-115054

APPLICATION SPEC -

WEIGHT 0.294g

TE Connectivity  
RIGHT ANGLE, 4 POS MID-MOUNT BATTERY CONNECTOR

SIZE CAGE CODE DRAWING NO RESTRICTED TO

A3 00779 C-2199206

CUSTOMER DRAWING SCALE 5:1 SHEET 3 OF 3 REV A4

DIMENSIONS: mm

TOLERANCES UNLESS OTHERWISE SPECIFIED:

- 0 PLC ±0.3
- 1 PLC ±0.3
- 2 PLC ±0.3
- 3 PLC ±0.3
- 4 PLC ±0.3
- ANGLES ±3

MATERIAL

FINISH