

MATERIALS AND FINISHES

BODY ZINC ALLOY
PLATED NICKEL 70MIN. MICROINCH Δ

CENTER CONTACT PHOSPHOR BRONZE
PLATED GOLD 1MIN. MICROINCH
/TIN 150MIN. MICROINCH Δ

INSULATOR POLYPROPYLENE

HOUSING PBT
COLOR WHITE

MOUNTING POST BRASS
PLATED TIN 150MIN. MICROINCH Δ

PACKAGING: TRAY

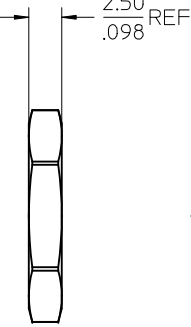
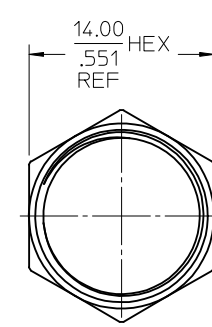
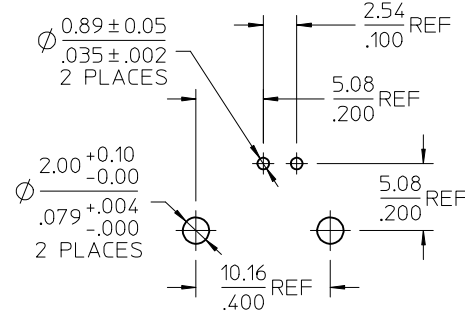
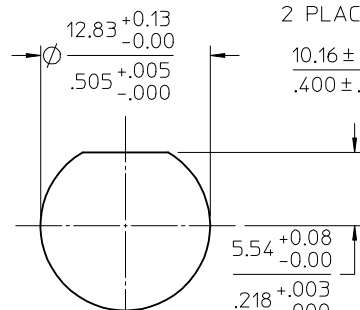
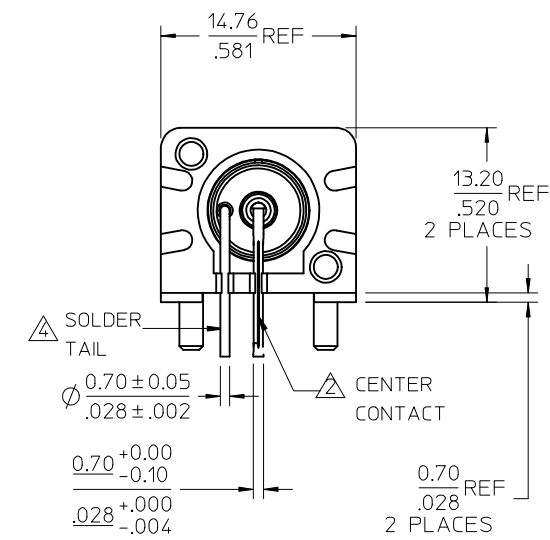
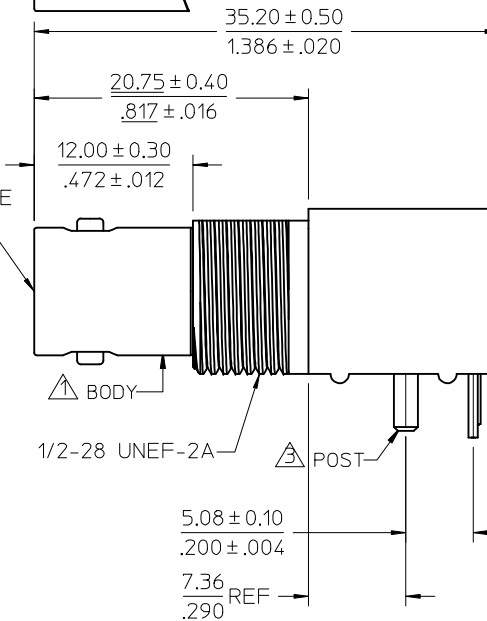
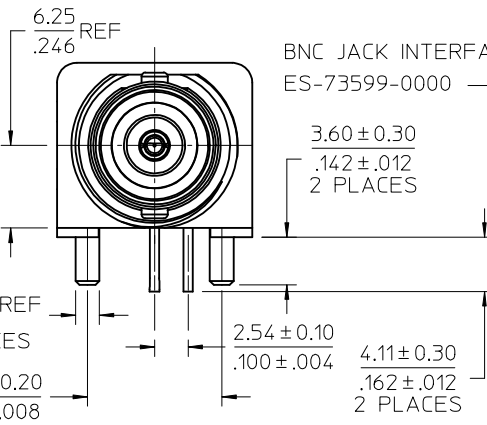
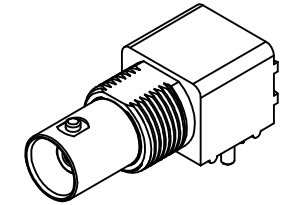
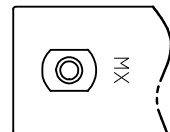
SOLDER TAIL STEEL WIRE
PLATED TIN 150MIN. MICROINCH Δ

LOCKWASHER PHOSPHOR BRONZE
PLATED NICKEL

JAM NUT BRASS
PLATED NICKEL

BNC JACK INTERFACE
ES-73599-0000

3.60 ± 0.30
.142 ± .012
2 PLACES



JAM NUT

LOCKWASHER

RECOMMENDED MOUNTING HOLE
MAXIMUM PANEL THICKNESS: 5.5(.217)
RECOMMENDED MOUNTING TORQUE:
0.56 N-m(5 IN-LBS)

RECOMMENDED PCB LAYOUT

PART # 73137-5013

| | |
|---------------|-----------------------|
| PS-73598-0050 | ELECTRO/MECH PERFORM. |
| SPECIFICATION | DESCRIPTION |

| | | | | | | | | |
|------------------------------------|---------------------|------------|-----------------|------------------------------------------------------------|--------------------------|--------------------|----------------------------------------------------------|------------------------|
| CHG ADD PLATING THICKNESS | EC NO: URF2009-0391 | 2009/02/10 | QUALITY SYMBOLS | GENERAL TOLERANCES (UNLESS SPECIFIED) | DIMENSION STYLE MM/IN | SCALE | DESIGN UNITS METRIC | THIRD ANGLE PROJECTION |
| | DRWNS:CHOU | 2009/02/12 | DESCRIPTION | | | | | |
| | CHKD: | | ▽=0 | 4 PLACES ± --- ± --- | DRAWN BY DATE | TITLE | BNC JACK, R/A, PCB 50 OHMS, EWR-3635 BNC-J/BLK/PCB | |
| | APPR:MHUANG | 2009/02/12 | ▽=0 | 3 PLACES ± --- ± --- | CHECKED BY DATE | MOLEX INCORPORATED | | |
| | | | | 2 PLACES ± --- ± --- | APPROVED BY DATE | | MATERIAL NO. | DOCUMENT NO. |
| | | | | 1 PLACE ± --- ± --- | R FIELDS | 731375013 | SD-73137-5013 | |
| | | | | ANGULAR ± 2 ° | | | SHEET NO. | |
| | | | | DRAFT WHERE APPLICABLE MUST REMAIN WITHIN DIMENSIONS | SIZE | | 1 OF 1 | |