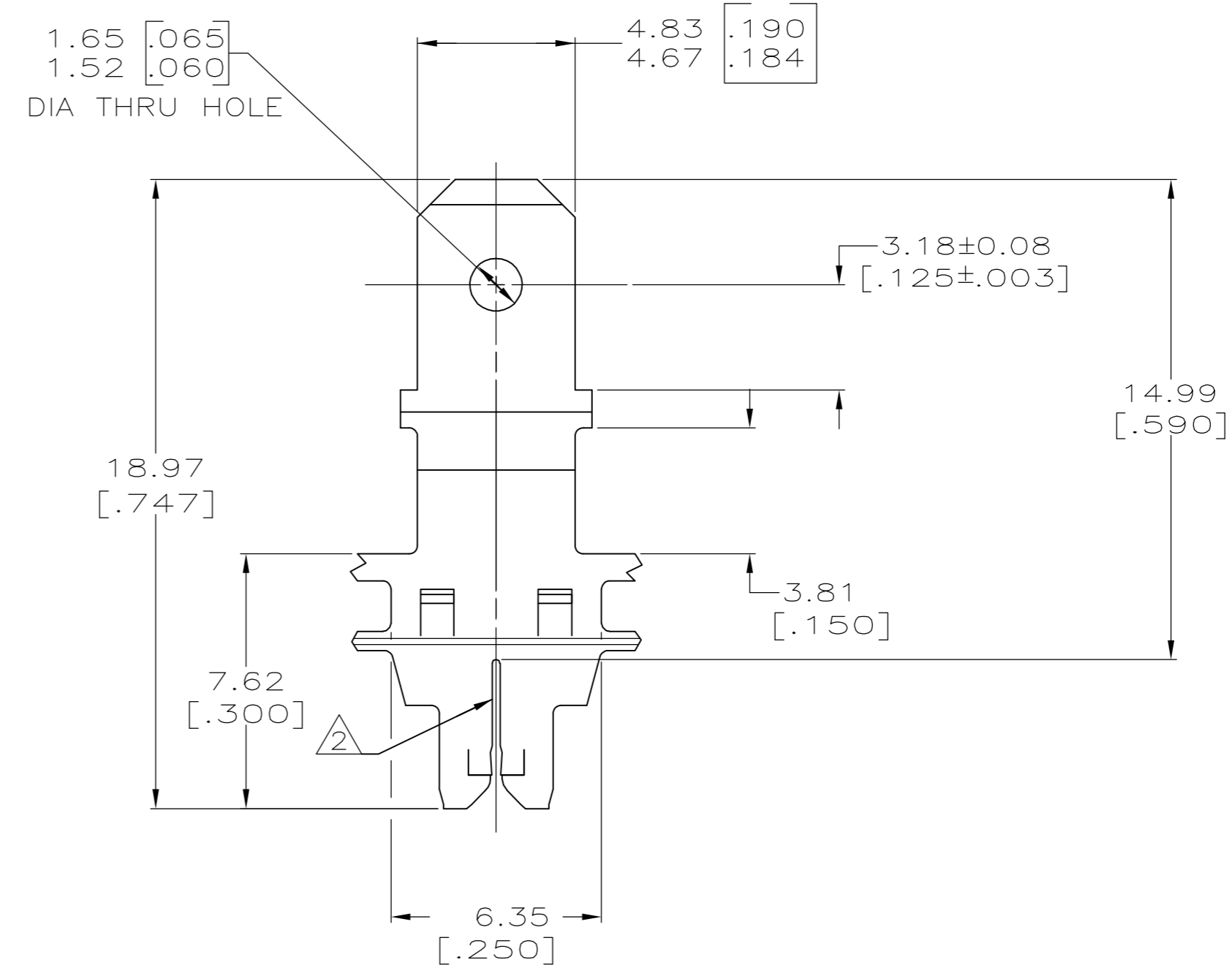
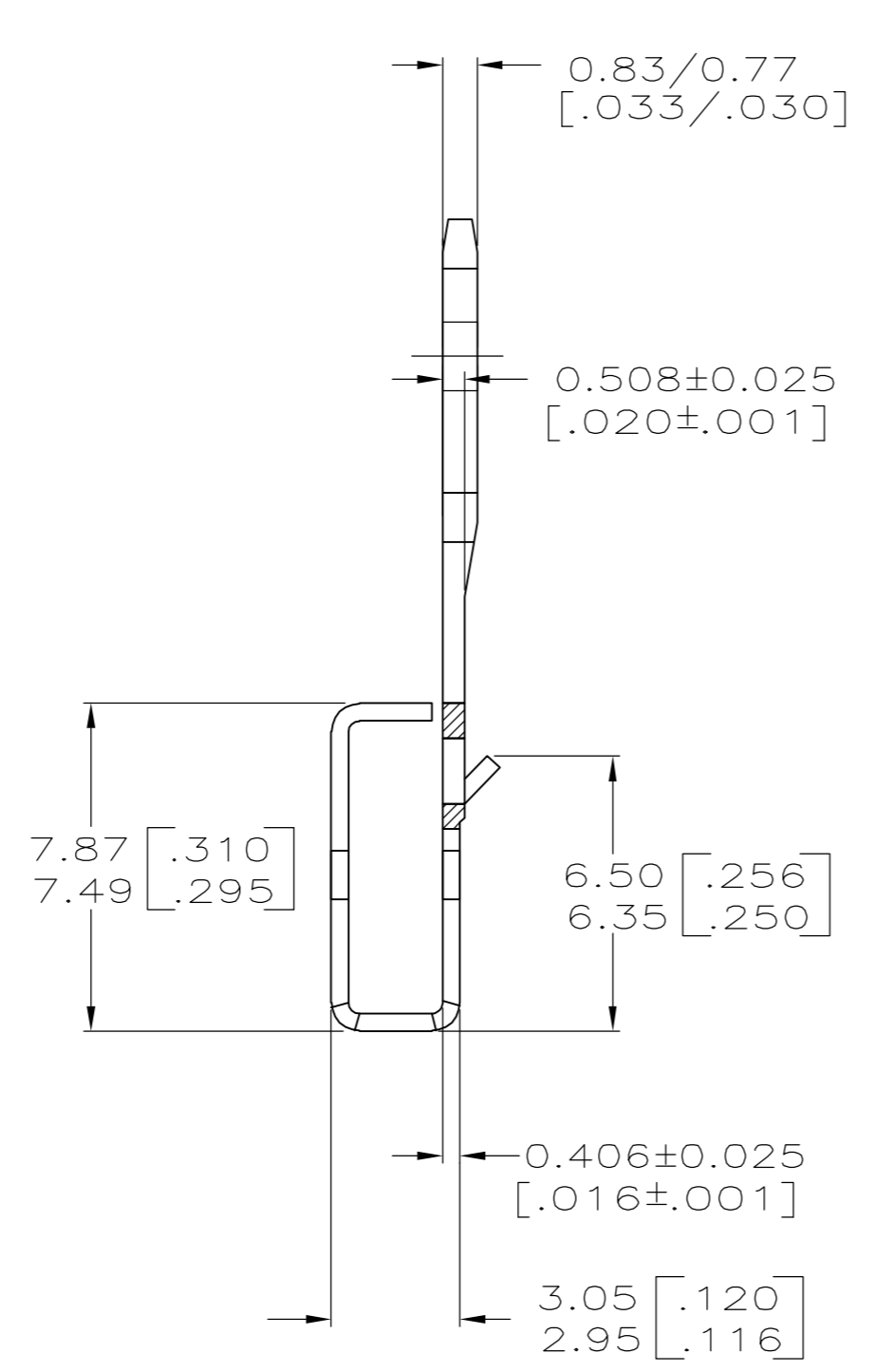
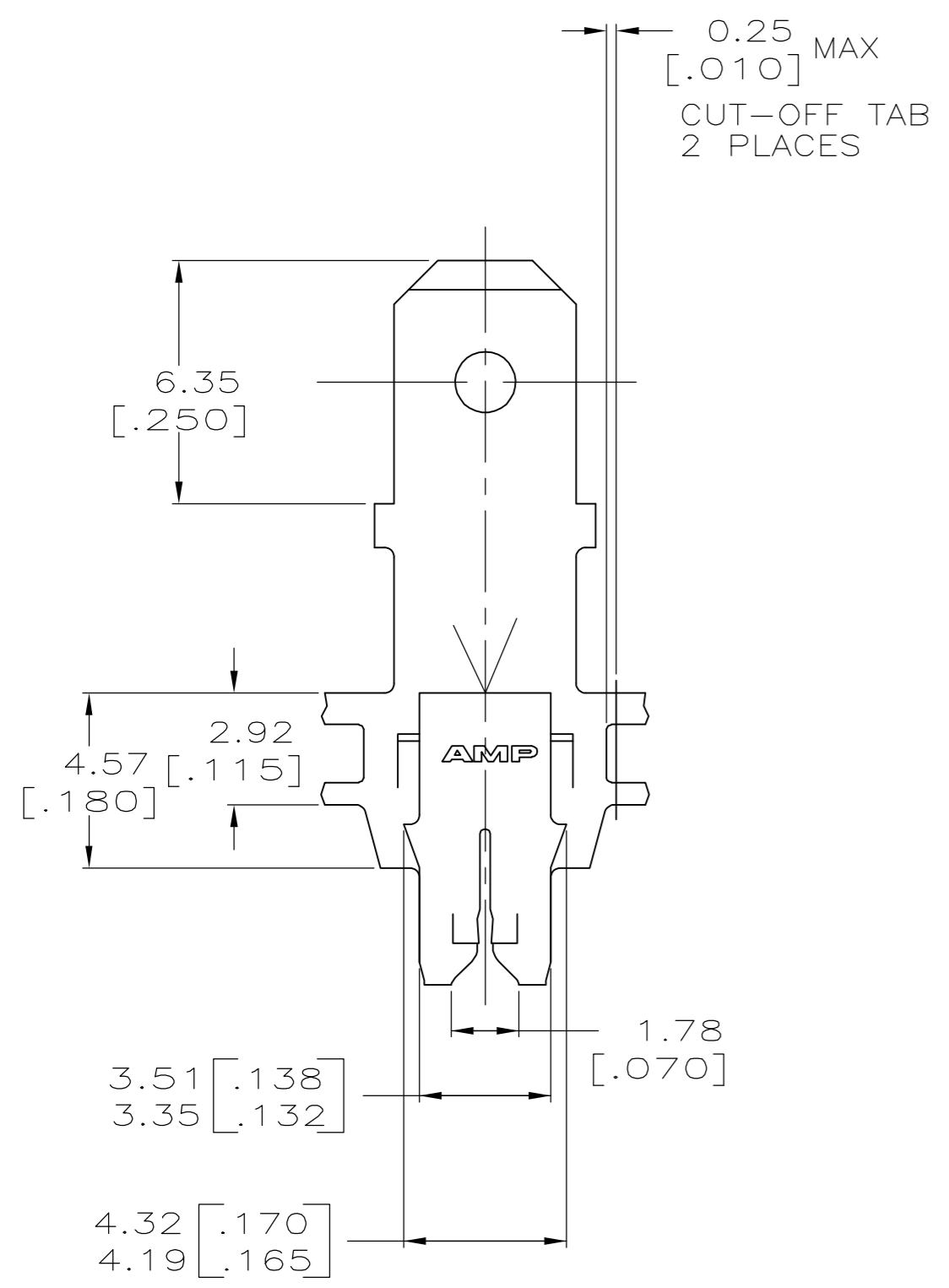
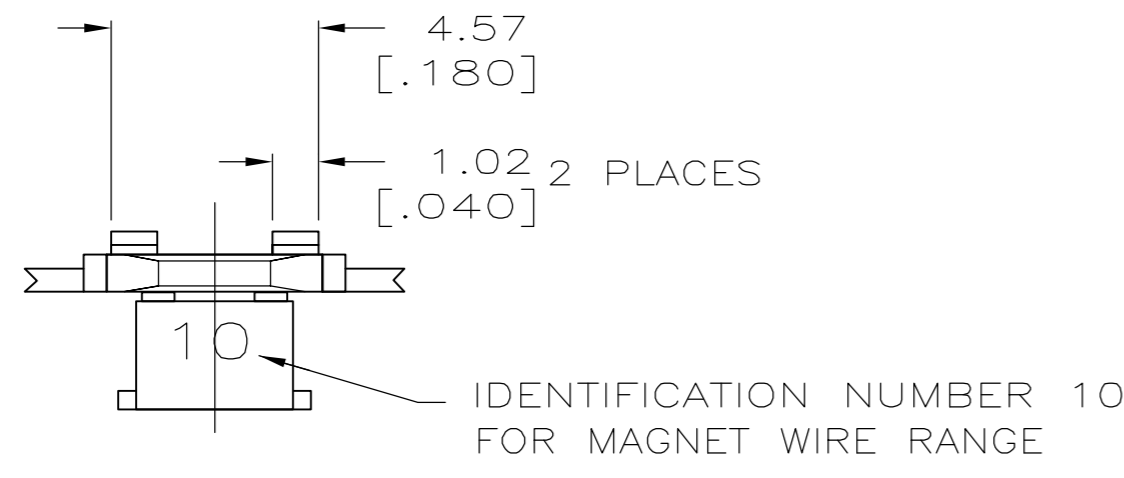


THIS DRAWING IS UNPUBLISHED. RELEASED FOR PUBLICATION  
 © COPYRIGHT BY TYCO ELECTRONICS CORPORATION. ALL RIGHTS RESERVED.

| LOC |     | DIST        |  | REVISIONS             |         |      |    |
|-----|-----|-------------|--|-----------------------|---------|------|----|
| P   | LTR | DESCRIPTION |  | DATE                  | DWN     | APVD |    |
| AF  | 50  | B           |  | REV PER ECR 06-010492 | 02OCT06 | JR   | KR |

- 1 CONTINUOUS STRIP ON REELS WITH TERMINALS LOCATED ON 8.38±0.08 [.330±.003] CENTERS.
- 2 SLOTTED TERMINALS A SINGLE OR DOUBLE MAGNET WIRE OF THE SAME SIZE AND TYPE. COPPER RANGE: 0.36-0.57mm [#27-#23] AWG.



1217993-1  
 PART NUMBER

|   |  |   |   |                    |                         |
|---|--|---|---|--------------------|-------------------------|
| THIS DRAWING IS A CONTROLLED DOCUMENT.  |  | DWN 02OCT2003<br>MICHAEL S. FEHER             | Tyco Electronics Corporation<br>Harrisburg, PA 17105-3608   |                    |                         |
| DIMENSIONS: mm [INCHES]   |  | CHK 02OCT2003<br>KURT A. RANDOLPH             |   |                    |                         |
| TOLERANCES UNLESS OTHERWISE SPECIFIED:  |  | APVD 02OCT2003<br>KURT A. RANDOLPH            | NAME<br>TAB,<br>4.75 [.187] FASTON™<br>300 SERIES MAG-MATE™ |                    |                         |
| 0 PLC ± -<br>1 PLC ± -<br>2 PLC ± 0.25 [.010]<br>3 PLC ± -<br>4 PLC ± -<br>ANGLES ± - |  | PRODUCT SPEC<br>108-2012                      | SIZE<br>A2  | CAGE CODE<br>00779 | DRAWING NO<br>C=1217993 |
| MATERIAL<br>4M PRE-MILLED BRASS   |  | FINISH<br>0.002032 [.000080]<br>MIN TIN PLATE | WEIGHT<br>-   | RESTRICTED TO<br>- | SCALE<br>6:1            |
| CUSTOMER DRAWING  |  |   | SHEET<br>1 OF 1   | REV<br>B           |                         |