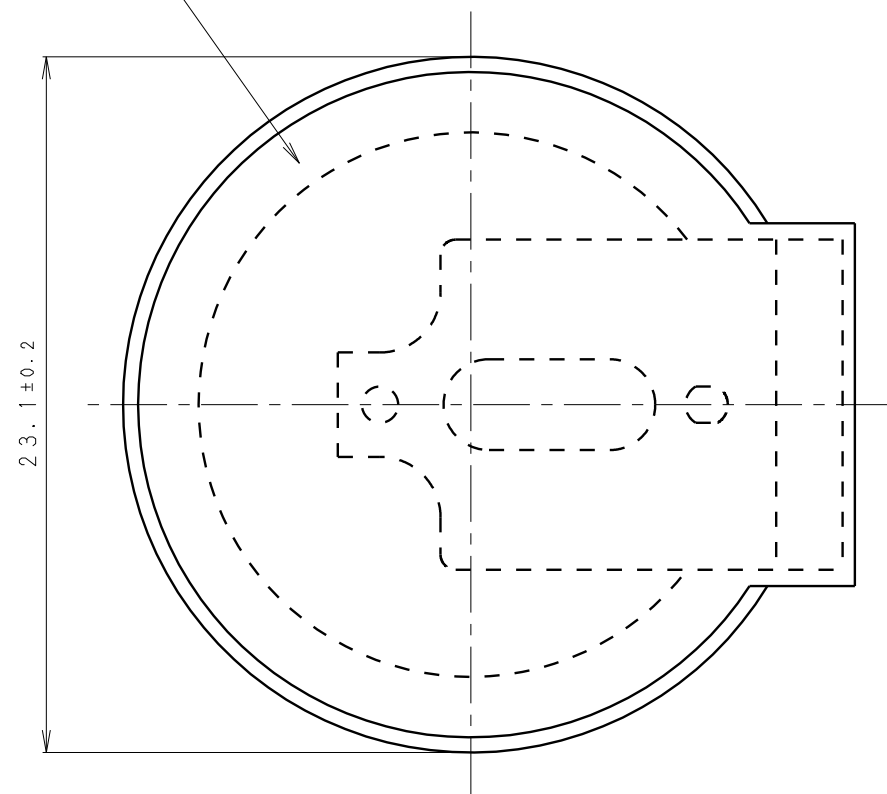
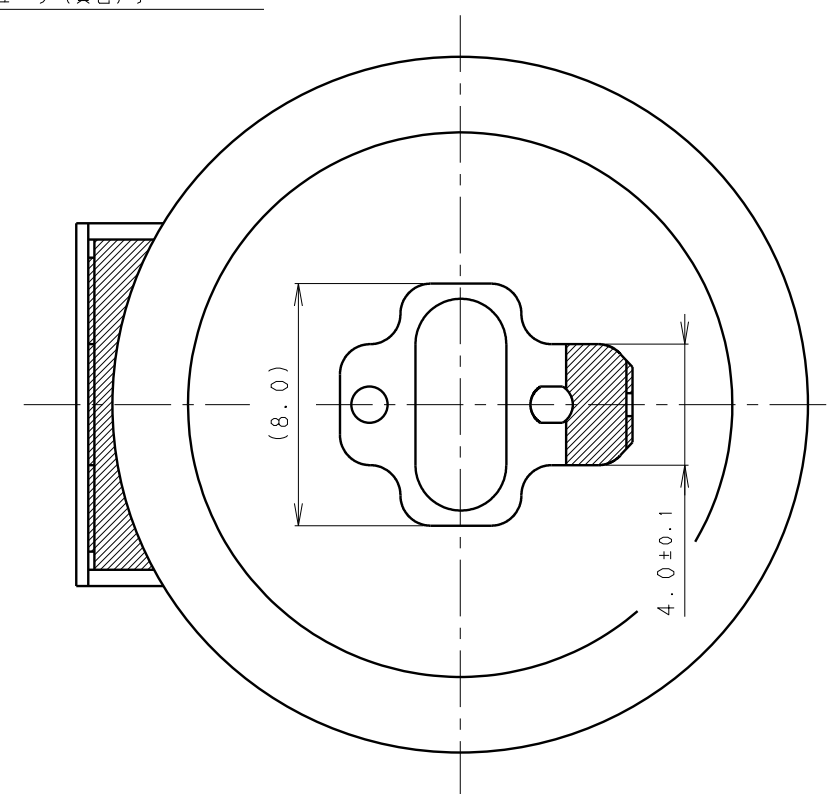
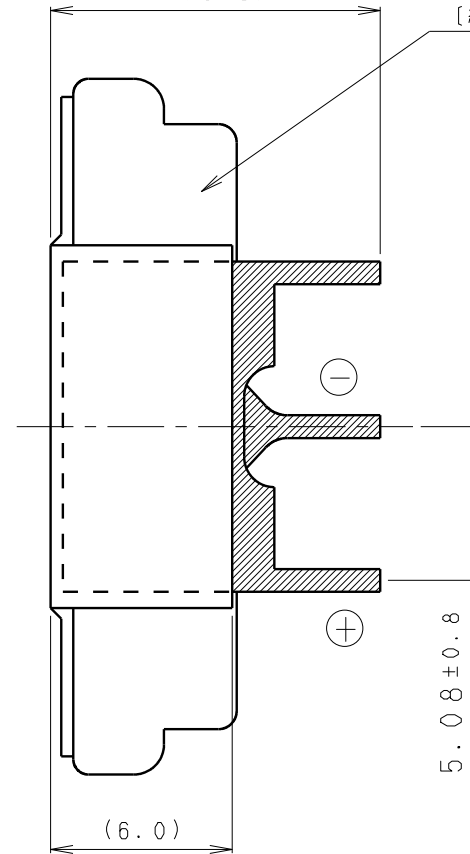


INSULATION STICKER
[絶縁シール]

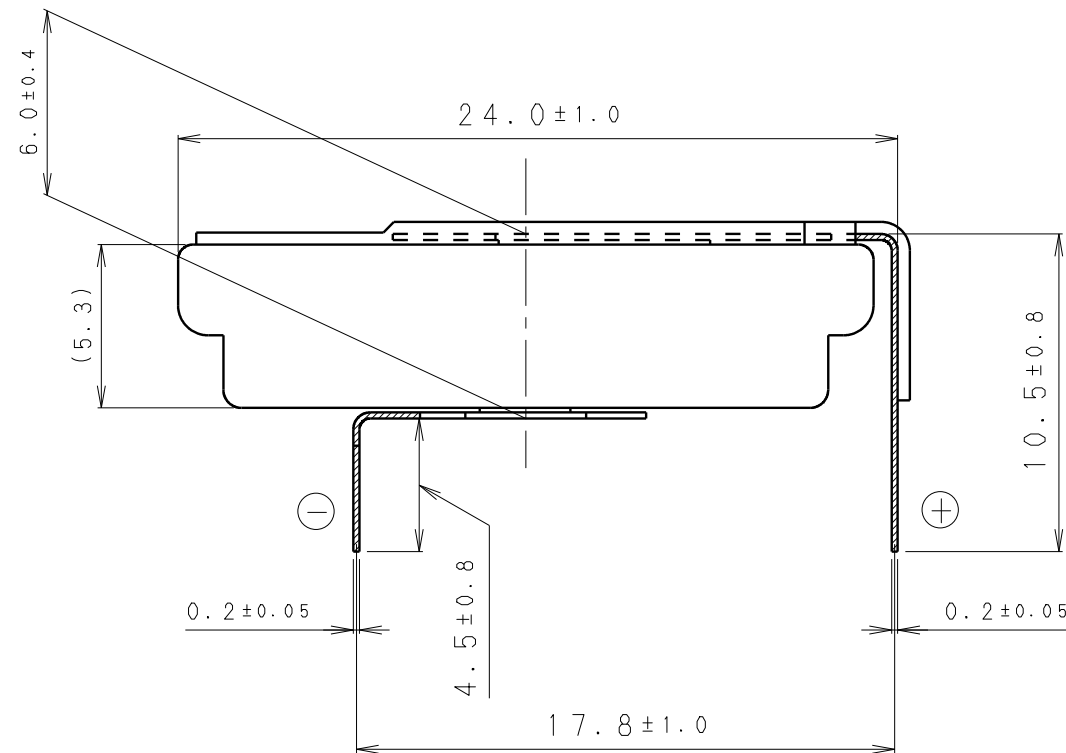
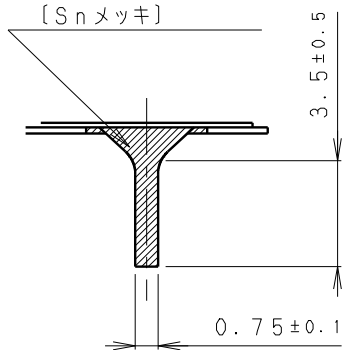


(10.6)

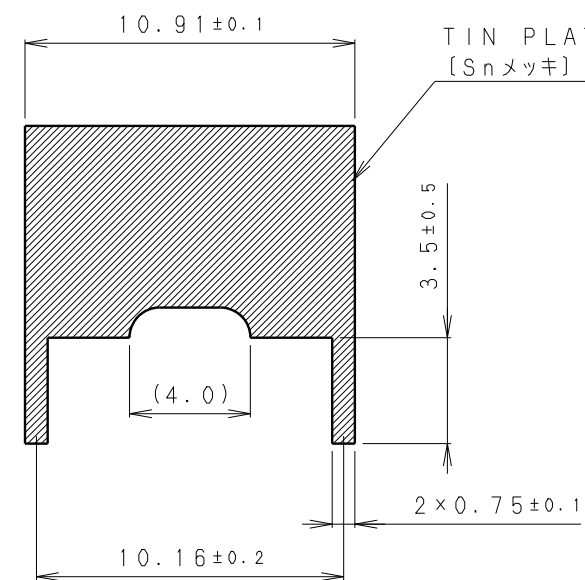
INSULATOR (YELLOW)
[絶縁チューブ (黄色)]



TIN PLATING
[Snメッキ]



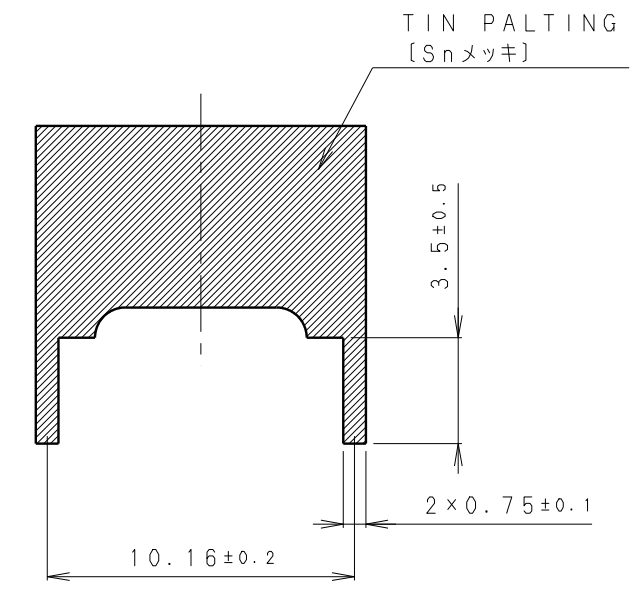
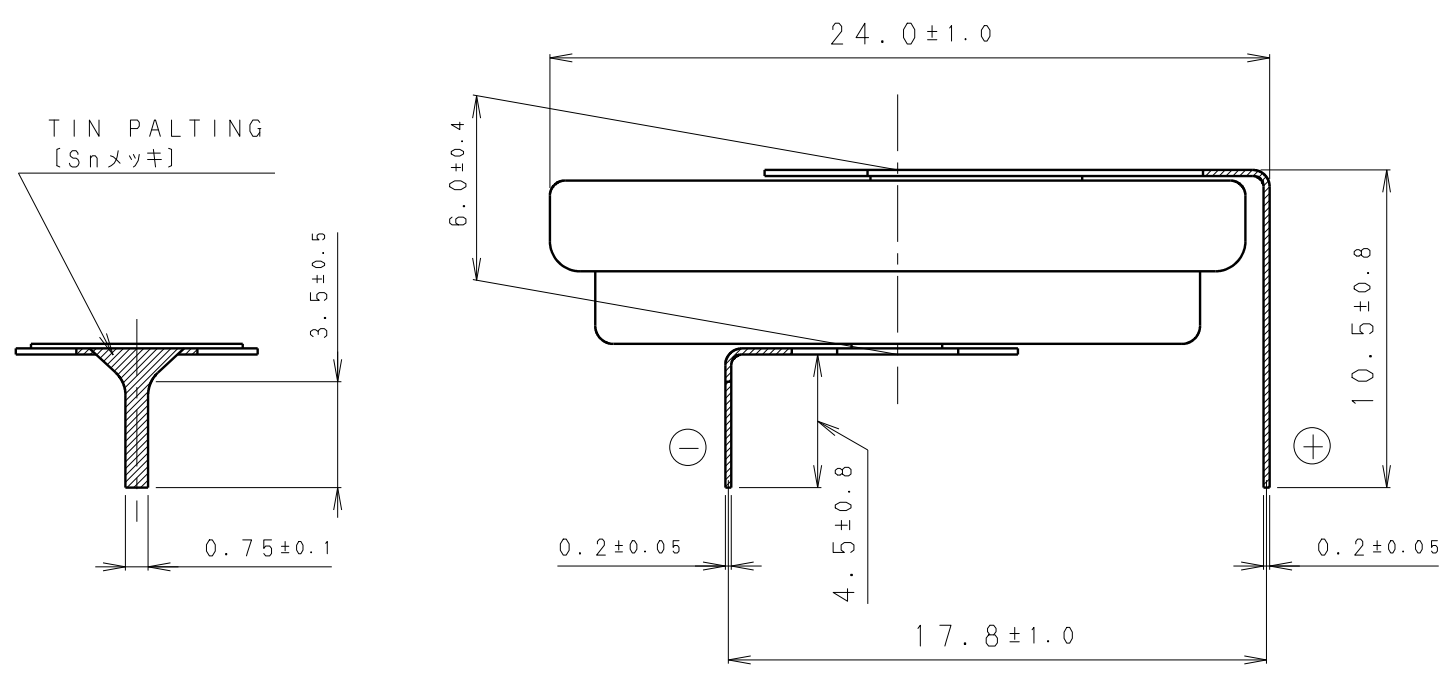
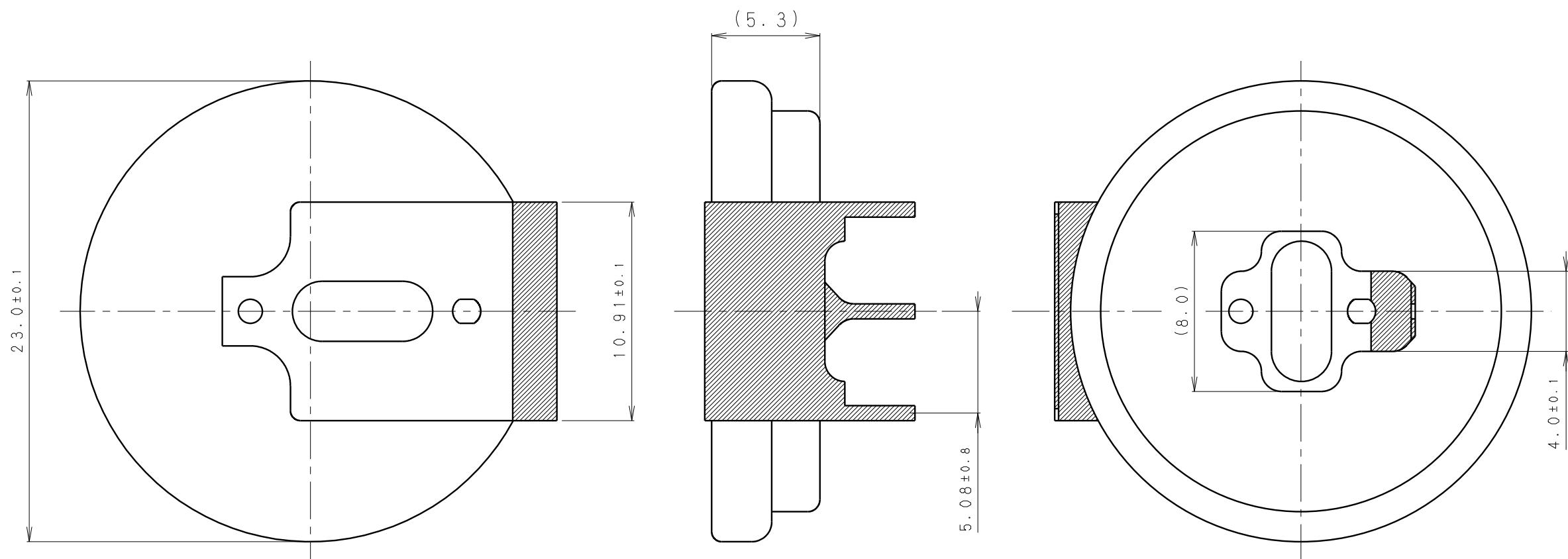
TIN PLATING
[Snメッキ]



* NOTE [注記]

1. TAB PULLING STRENGTH OVER 19.6N [端子溶接強度: 19.6N以上]
2. TAB MATERIAL: STAINLESS STEEL WITH TIN PLATING [端子材料: 基材 ステンレス/表面 部分Snメッキ]
3. (): REFERENCE DIMENSION AND ANGLE [() 寸法、角度は参考値]

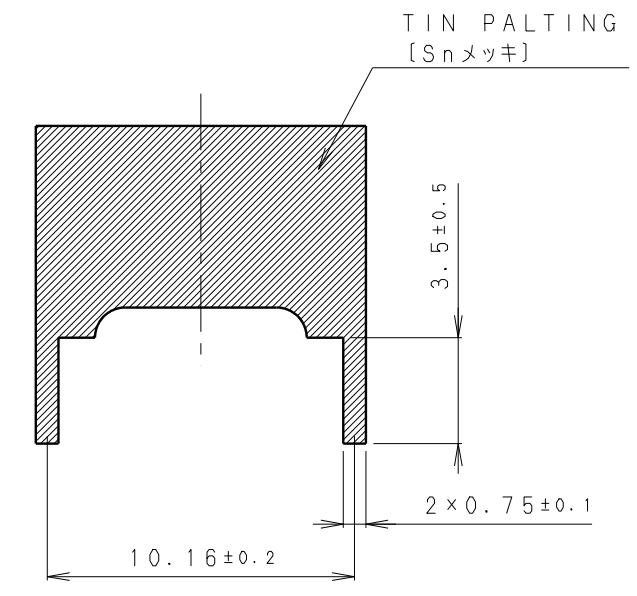
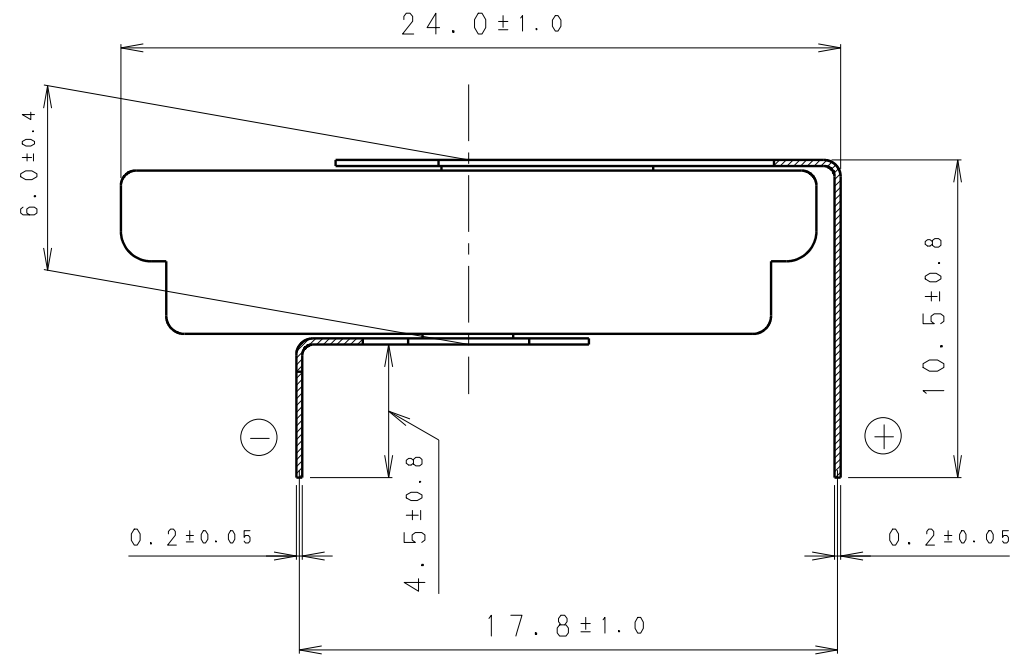
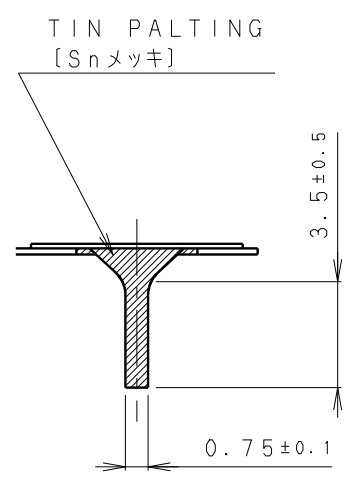
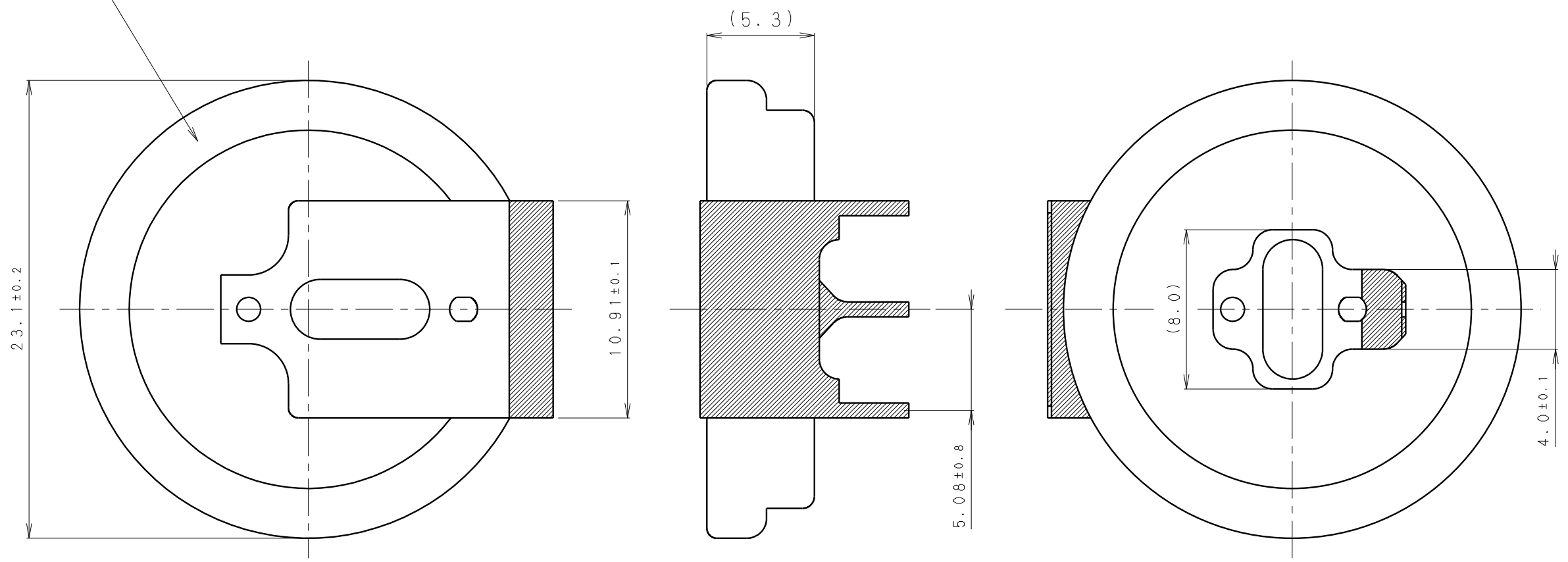
PRODUCT NO.	CR-2354/GU4N	SCALE	4:1
DRAWING NO.	QVGC1Z	REV.	0
		UNIT:mm	



* NOTE [注記]
 1. TAB PULLING STRENGTH OVER 19.6N [端子溶接強度:19.6N以上]
 2. TAB MATERIAL:STAINLESS STEEL WITH TIN PLATING [端子材料:基材 ステンレス/表面 部分Snメッキ]
 3. ():REFERENCE DIMENSION AND ANGLE [()寸法、角度は参考値]

PRODUCT NO.	CR-2354/GUN	SCALE	4:1
DRAWING NO.	QVGB1N	REV.	0
			UNIT:mm

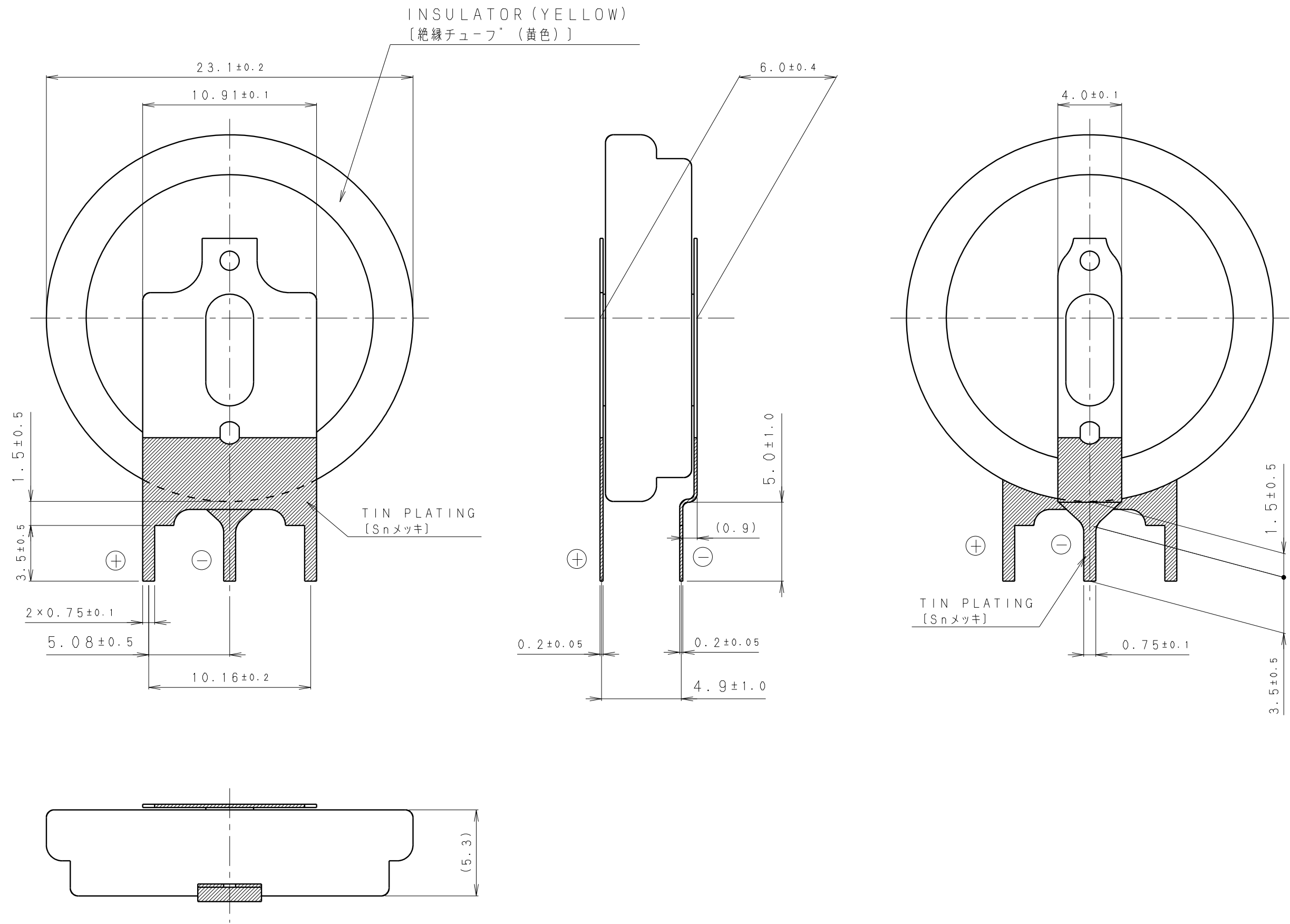
INSULATOR (YELLOW)
[絶縁チューブ (黄色)]



* NOTE [注記]

1. TAB PULLING STRENGTH OVER 19.6N [端子溶接強度: 19.6N以上]
2. TAB MATERIAL: STAINLESS STEEL WITH TIN PLATING [端子材料: 基材 ステンレス/表面 部分Snメッキ]
3. (): REFERENCE DIMENSION AND ANGLE [() 寸法、角度は参考値]

PRODUCT NO.	CR-2354/GUFN	SCALE	4:1
DRAWING NO.	QVGB1Z	REV.	0
			UNIT: mm



* NOTE [注記]
 1. TAB PULLING STRENGTH OVER 19.6N [端子溶接強度: 19.6N以上]
 2. TAB MATERIAL: STAINLESS STEEL WITH TIN PLATING [端子材料: 基材 ステンレス/表面 部分Snメッキ]
 3. (): REFERENCE DIMENSION AND ANGLE [() 寸法、角度は参考値]

PRODUCT NO.	CR-2354/GVFN	SCALE	4:1
DRAWING NO.	QVPA1Z	REV.	0
			UNIT: mm