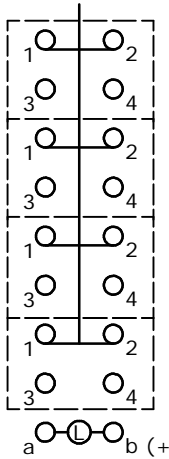


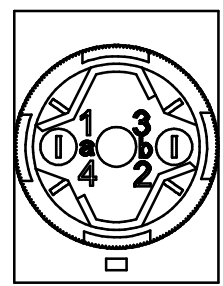
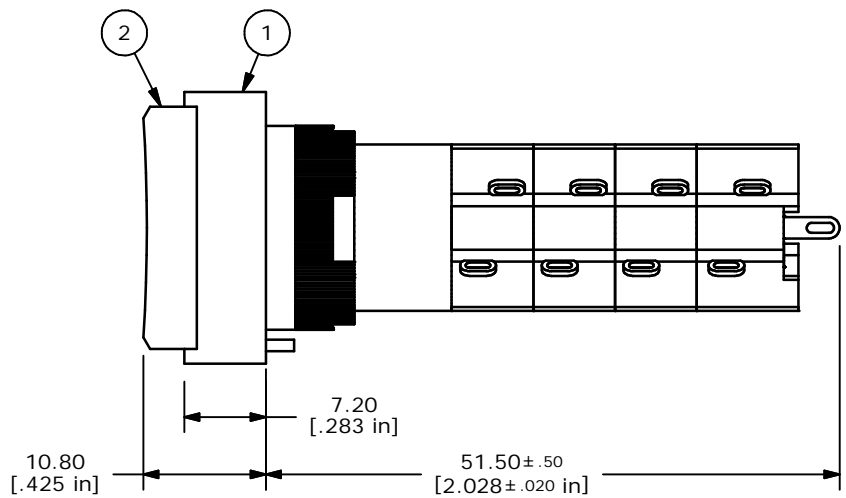
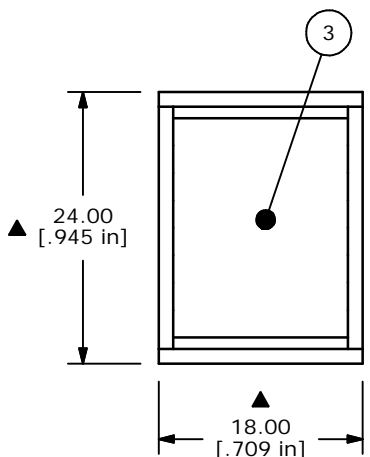
PARTS LIST			
ITEM	QTY	PART NUMBER	DESCRIPTION
1	1	F040040	D16EET14
2	1	F050202	GREEN TRANSPARENT RECTANGULAR CONCAVE
3	1	F050405	50-004-05 28VAC/DC INCANDESCENT



PANEL MOUNTING



CONTACT CONFIGURATION



- NOTE:
1. ALL DIMENSIONS IN MM [INCH]
 2. GENERAL TOLERANCE: X.X=±0.4
X.XX=±0.25
 3. TERMINAL NUMBERS FOR REF ONLY
 4. MECHANICAL LIFE: 2,000,000 OPERATIONS
 5. INSULATION RESISTANCE: 1,000 MILLI-OHM MIN.
 6. OPERATING TEMP.: -25°C to 55°C
 - ▲ 7. LAMP VOLTAGE: 28VAC/DC 40mA INCANDESCENT
 8. ▲ DENOTES CRITICAL PARAMETER.



REV	PCR NO	DESCRIPTION	DATE	BY
B	14763	CORRECT ITEM #1 ON BOM	3/11/05	AR
A	14725	RELEASED FOR PRODUCTION	3/2/05	AR

TITLE D16EET14CGRN				
SCALE	DATE	DR	DWG	REV
1.5:1	3/2/05	AR	XF0628P	B

THE INFORMATION CONTAINED IN THIS DOCUMENT IS PROPRIETARY TO E-SWITCH AND IS NOT TO BE COPIED OR TRANSFERRED