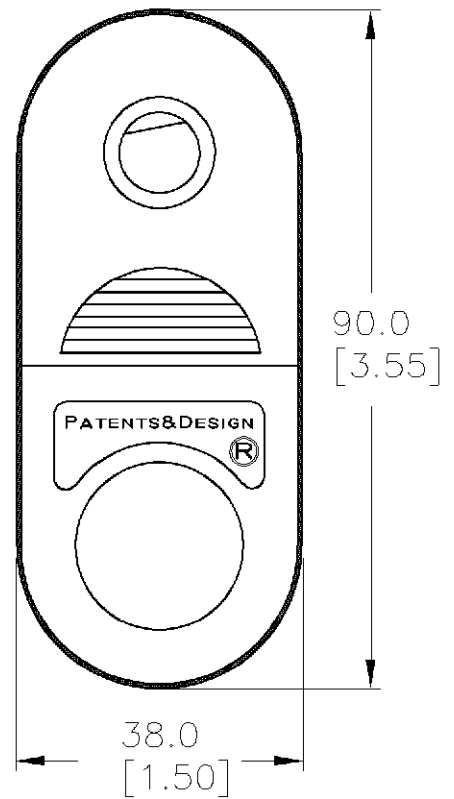
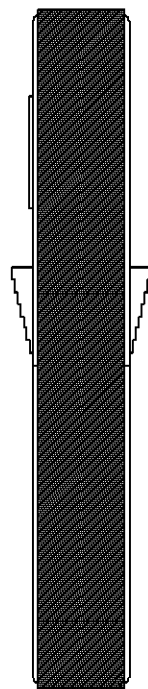
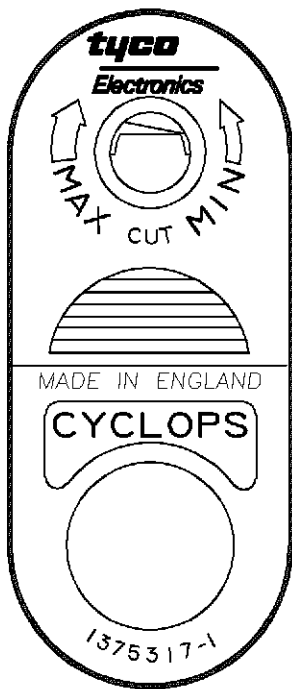


LOC	DIST	REVISIONS					
A	40	P	LTR	DESCRIPTION	DATE	DWN	APVD
		A		EC 0150-0643-02	5-02	WH	RS

1 MATERIAL: 30% GLASS REINFORCED NYLON,  
COLOR: LIGHT GRAY.



13.0  
[.51]

1375317-1 AS SHOWN

RELEASED FOR PUBLICATION

ALL RIGHTS RESERVED.

BY TYCO ELECTRONICS CORPORATION.

THIS DRAWING IS UNPUBLISHED.



DIMENSIONS: MM [INCHES]	DWN	L. HALL	14FEB01	MATERIAL	1	FINISH	-
	CHK	B. TRIPPE	14FEB01	Tyco Electronics Corporation Harrisburg, PA 17105			
TOLERANCES UNLESS OTHERWISE SPECIFIED:	APVD	B. TRIPPE	14FEB01	NAME			
	0 PLC	± -	PRODUCT SPEC	CYCLOPS 2, CABLE JACKET STRIPPER			
1 PLC	± -	APPLICATION SPEC	SIZE	CAGE CODE	DRAWING NO	RESTRICTED TO	
2 PLC	± .02 [.51]	WEIGHT	A4	00779	C-1375317	-	
3 PLC	± -	CUSTOMER DRAWING	SCALE		1:1	SHEET	1 OF 1
4 PLC	± -					REV	A
ANGLES	± -						

