

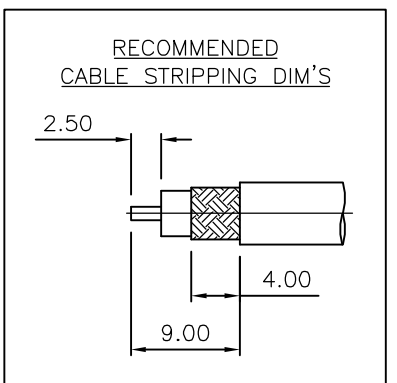
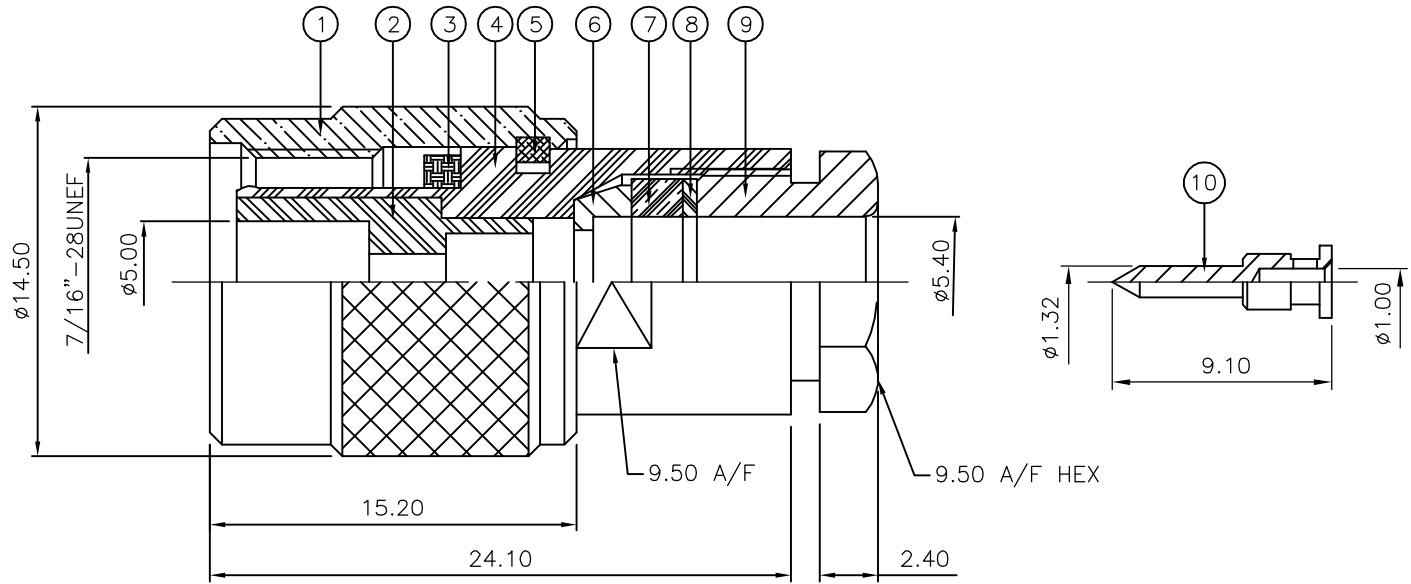
THIS DRAWING IS UNPUBLISHED. RELEASED FOR PUBLICATION DEC ,2005.

© COPYRIGHT 2005 BY TYCO ELECTRONICS CORPORATION. ALL RIGHTS RESERVED.

LOC	DIST	REVISIONS					
E	B	P	LTR	DESCRIPTION	DATE	DWN	APVD
		C		ECR-05-017969	14DEC05	JMS	FWK

NOTES:

- ① PACK IN ACCORDANCE WITH AMP SPEC 107-3275
  - ② 100 TRAY PACK IN ACCORDANCE WITH AMP SPEC 107-3275
  - ③ Ag PLATING
  - ④ THIS ITEM MUST BE WHITE
- 5 ELECTRICAL CHARACTERISTICS
- |                               |                            |
|-------------------------------|----------------------------|
| FREQUENCY RANGE:              | DC - 11 GHz                |
| NOMINAL IMPEDANCE:            | 50 Ohm                     |
| INSULATION RESISTANCE:        | 5000 MOhm                  |
| WORKING VOLTAGE:              | 500 Volts RMS at Sea Level |
| DIELECTRIC WITHSTAND VOLTAGE: | 1500 Volts RMS Max         |
| CONTACT RESISTANCE:           |                            |
| CENTRE CONTACT:               | 1.50 mOhm Max              |
| OUTER CONTACT:                | 1.00 mOhm Max              |
| VSWR @ 4GHz:                  | 1.30:1 Max                 |
| INSERTION LOSS dB @ x 3 GHz:  | 0.20 Max                   |
- 6 MECHANICAL CHARACTERISTICS
- |                               |                |
|-------------------------------|----------------|
| COUPLING NUT RETENTION FORCE: | 445N Min       |
| CABLE RETENTION FORCE:        | 170N Min       |
| CLAMP NUT RECOMMENDED TORQUE: | 4N             |
| DURABILITY:                   | 500 Cycles Min |
- 7 ENVIRONMENTAL CHARACTERISTICS
- |                        |                  |
|------------------------|------------------|
| OPERATING TEMPERATURE: | -65 to +165 DegC |
|------------------------|------------------|



QTY	UNIT	MATERIAL	DESCRIPTION	ITEM
1	1	BRASS	CONTACT	10
1	1	BRASS	CLAMP NUT	9
1	1	BRASS	WASHER	8
1	1	SILICON RUBBER	GASKET	7
1	1	BRASS	SLEEVE	6
1	1	BRASS	CIRCLIP	5
1	1	BRASS	BODY	4
1	1	SILICON RUBBER	GASKET	3
1	1	PTFE	INSULATION	2
1	1	BRASS	COUPLING NUT	1
6--0	1--0	MATERIAL	DESCRIPTION	ITEM

THIS DRAWING IS A CONTROLLED DOCUMENT.		DWN J.SANDWELL 14DEC05	Tyco Electronics Corporation Bideford EX39 4HE	
DIMENSIONS: mm		CHK S.PARLOW 14DEC05		
TOLERANCES UNLESS OTHERWISE SPECIFIED:		APVD F.WHEELER-KING 14DEC05	NAME	
0 PLC ± -		PRODUCT SPEC	TNC STRAIGHT PLUG SOLDER MIL-CLAMP 50 OHM RG58C/U, 141A/U, URM43 ,76, Belden9907, KX15	
1 PLC ± -		APPLICATION SPEC	-	
2 PLC ± -		411-3252	SIZE A3	CAGE CODE 00779
3 PLC ± -		WEIGHT -	DRAWING NO C-1337466	RESTRICTED TO -
4 PLC ± -		CUSTOMER DRAWING	SCALE NTS	SHEET 1 OF 1
ANGLES ± -				REV C
FINISH -				
MATERIAL SEE TABLE				