

REFERENCE SPECIFICATIONS

-NFC 93425 (in compliance with HE 507)

PHYSICAL CHARACTERISTICS

-INSULATOR MATERIAL: THERMOPLASTIC .UL94V0

-ACCESSORIES: BRASS

-SHELLS: STEEL

ELECTRICAL CHARACTERISTICS

-CONTACT/CONTACT : >=1000 V

-CONTACT/GROUND : >=1200 V

-INSULATION RESISTANCE: >=5000 MOhms

ENVIRONMENTAL CHARACTERISTICS

- CLIMATIC CATEGORY: 55/125/21

TEMPERATURE RANGE -55°C TO +125°C

DAMP HEAT STEADY STATE 21 DAYS

SALT SPRAY 24 HOURS

MECHANICAL CHARACTERISTICS

- RETENTION AGAINST TORQUE:
 - Threaded insert: 0.7 N.m minimum
 - Female screw : 0.5 N.m minimum

NOTE RoHS INFORMATION

- The "LF" products meet european union Directives and other country regulations as described in GS-22-008.
- Shell plating :2 to 4 µm Cu + Ni + 3 to 10 µmm Sn(pure bright)
- Accessories: Sn pure bright + nickel
- Packaging spec: See GS-14-920

Series ← DBLSW5PA00LF

Shell size: E A B C
see sheet 2

Front accessory definition
see sheet 2

- Blank : Without accessory
- L : Threaded insert M3
- O : Threaded insert UNC 4-40
- V : Female screw UNC 4-40

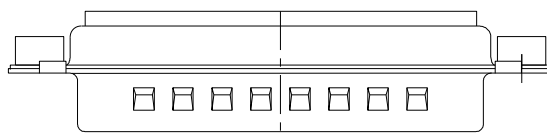
Layout of contacts (see sheet 3)

Contacts
P :Pin

PCB accessory definition
A without accessory on PCB

Power contacts
00 without power contact

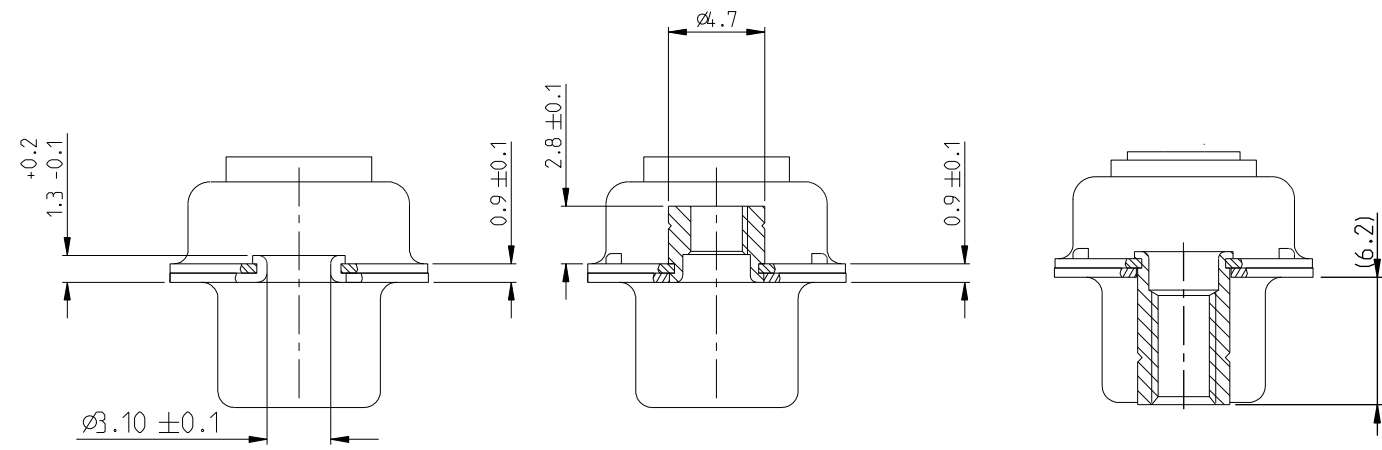
See note RoHS



rev	ecn no	dr	date
A	LS05-0113	MPE	2005-11-28
B	LS06-0208	LGO	2006-12-13
C	LS07-0273	MPE	2007-11-05
D	F09-0076	LSA	2009-08-20
E	F10-0017	LSA	2010-03-10
-	-	-	-
-	-	-	-

www.fciconnect.com		Surface ISO 1302	tolerance std ISO 406 ISO 1101	projection mm
TOLERANCES UNLESS OTHERWISE SPECIFIED				
Dr	M PESSON	2005-10-11	0.x ±0.3	size A2
Eng	P LEGARE	2005-10-11	0.xx ±0.1	Scale 2:1
Chr			0.xxx ±0.05	ECN F09-0076
Appr			Product family	- Spec ref
title SUB MALE DW			dwg no C01-8639-2315	Rev. E
full power without contact			CUSTOMER	sheet 1 of 4
catalog no				

Copyright FCI. FCI



FRONT ACCESSORY	Blank without	L insert M3 O insert UNC 4.40	V Female screw UNC 4-40
PCB ACCESSORIES	A without	A without	A without

PART NUMBER	FRONT ACCESSORY	PCB ACCESSORY
D*xW xPA00LF	WITHOUT	WITHOUT
D*VxW xPA00LF	Female screw UNC 4-40	WITHOUT
D*LxW xPA00LF	Insert M3	WITHOUT
D*OxW xPA00LF	Insert UNC 4-40	WITHOUT

shell size	LAYOUTS
*	xW x
E	2V2
A	3V3
A	3W3
B	5W5
C	8W8

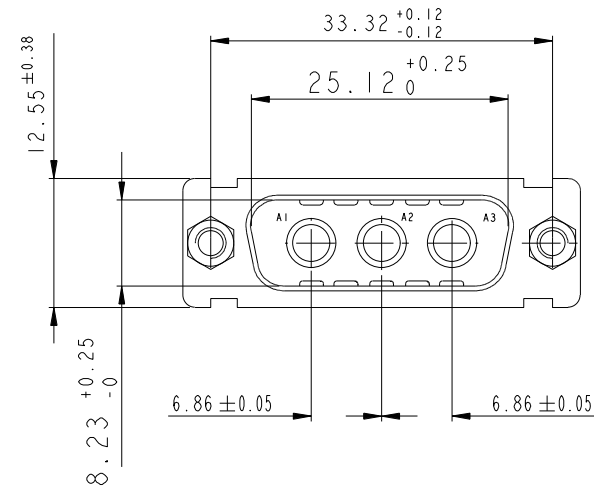
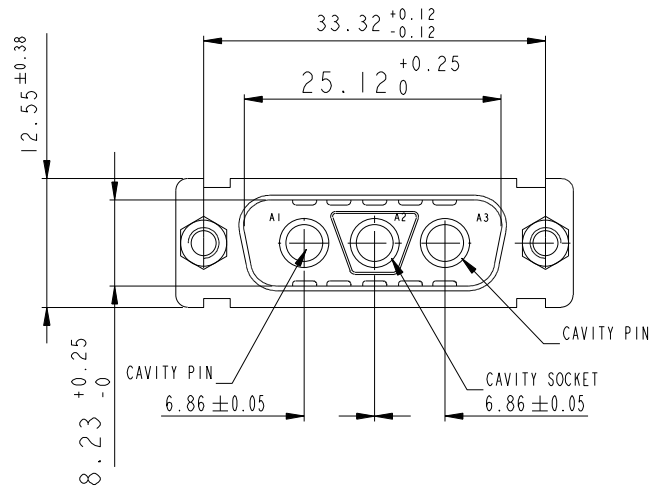
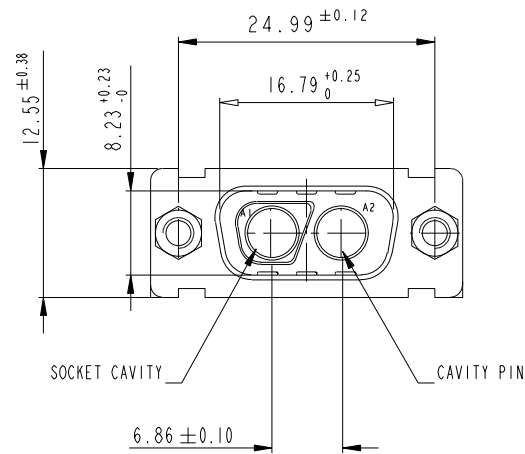
Copyright FCI. FCI

www.fciconnect.com		Surface ISO 1302	tolerance std ISO 406 ISO 1101	projection ⊕	mm
TOLERANCES UNLESS OTHERWISE SPECIFIED					
Dr	M PESSON	2005-10-11	ANGULAR	size	Scale
Eng	P LEGARE	2005-10-11	LINEAR	A2	2:1
Chr			0° ±2°	ECN	F09-0076
Appr			Product family	-	Spec ref
FCI		title SUB MALE DW		dwg no	Rev.
		full power without contact		C01-8639-2315	E
		catalog no		CUSTOMER	sheet 2 of 4

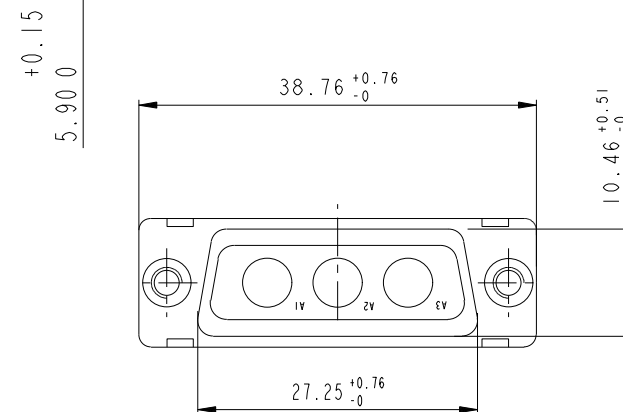
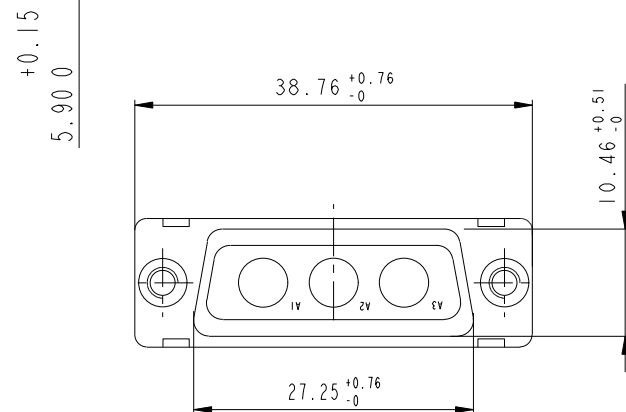
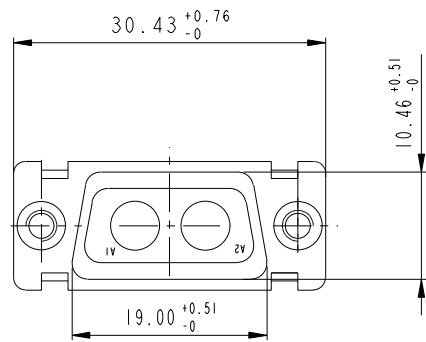
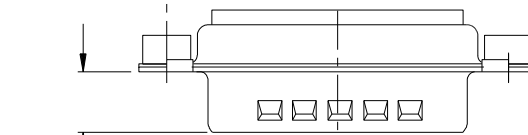
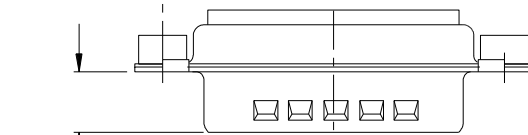
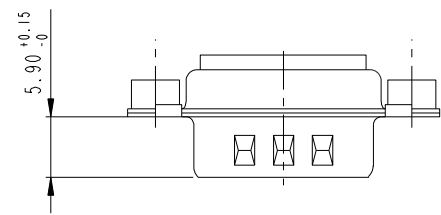
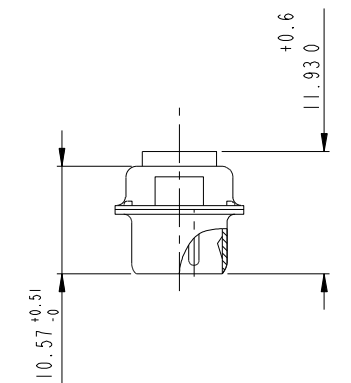
2V2

3V3

3W3



SIDE VIEW FOR LAYOUTS: E A B C

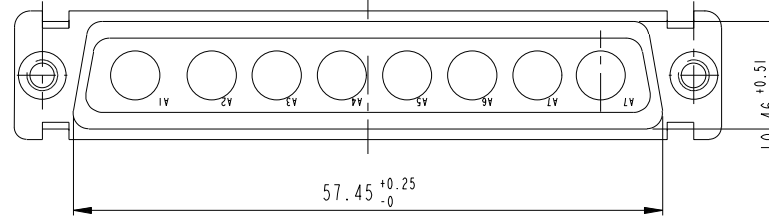
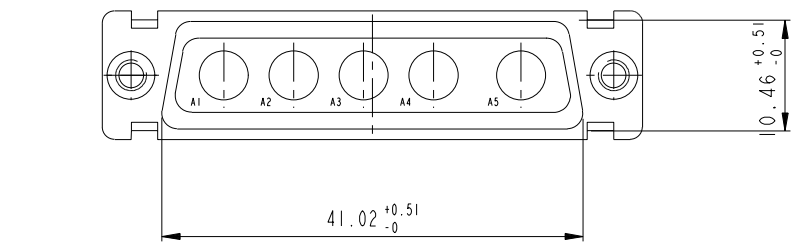
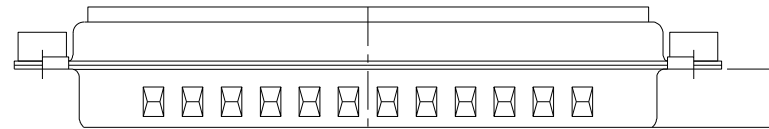
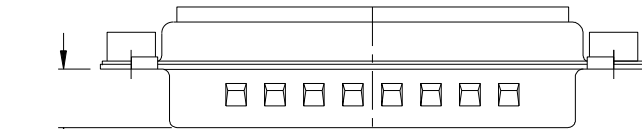
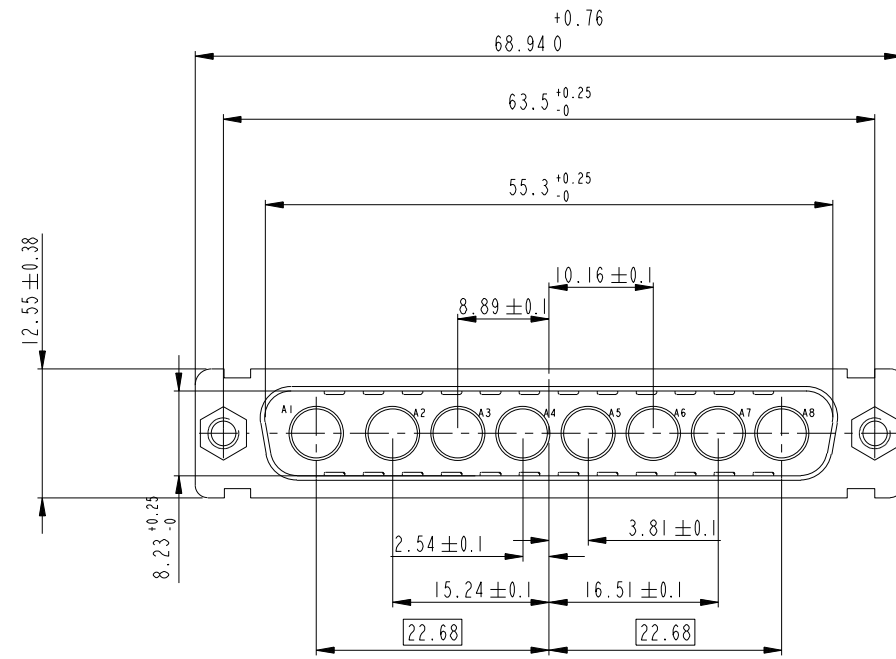
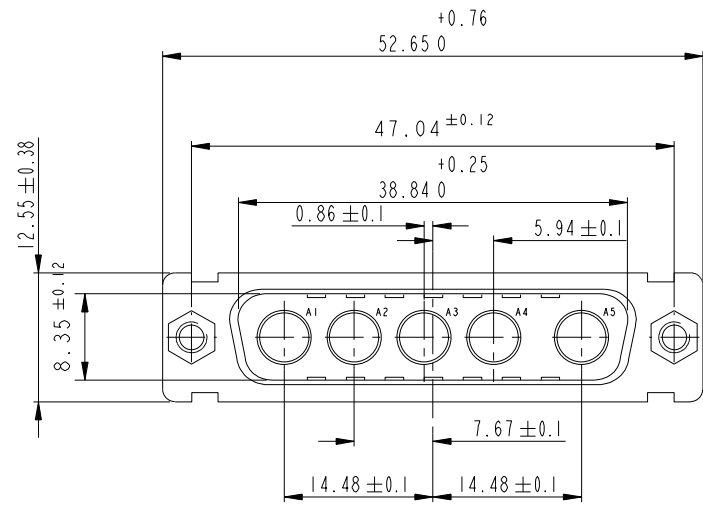


Copyright FCI. FCI

www.fciconnect.com		surface ISO 1302	tolerance std ISO 406 ISO 1101	projection mm
TOLERANCES UNLESS OTHERWISE SPECIFIED		0.x ±0.3	size A2	Scale 2:1
Dr M PESSON	2005-10-11	ANGULAR	0.xx ±0.1	ECN F09-0076
Eng P LEGARE	2005-10-11	LINEAR	0.xxx ±0.05	
Chr		0° ±2°		
Appr		Product family	- Spec ref	
FCI		title SUB MALE DW		Rev. E
		full power without contact		
catalog no		dwg no	C01-8639-2315	sheet 3 of 4

5W5

8W8



www.fciconnect.com		surface ISO 1302	tolerance std ISO 406 ISO 1101	projection A2	mm
TOLERANCES UNLESS OTHERWISE SPECIFIED		ANGULAR	LINEAR	size	Scale
Dr	M PESSON	2005-10-11	0.X	±0.3	2:1
Eng	P LEGARE	2005-10-11	0.XX	±0.1	
Chr			0.XXX	±0.05	ECN F09-0076
Appr			Product family		Spec ref
FCI		Title		dwg no	Rev.
		SUB MALE DW		C01-8639-2315	E
		full power without contact		CUSTOMER	sheet 4 of 4
		catalog no			

Copyright FCI. FCI